

# Layout Handbook

FOR TENTS, SHELTERS AND  
FABRIC STRUCTURES

5<sup>TH</sup> EDITION



**CELINA**™

[Celina.com](http://Celina.com)

866-438-8368 • +44 1157940041  
[Sales@Celina.com](mailto:Sales@Celina.com) • [UK@Celina.com](mailto:UK@Celina.com)



## Tent Setup Instructions

Tent Instruction can be found online or by contacting customer service. Also visit Celina's YouTube page! Online sales tips, product demos, tent installation and more at [Youtube.com/user/celinatent](https://www.youtube.com/user/celinatent)

### **CELINA TENT INC.**

*p.* 1-866-GET-TENT

*p.* 419-586-3610

*f.* 419-584-0949

GetTent.com

Sales@Celina.com

### **CELINA TENT EUROPE LTD.**

*p.* +44 1157940041

*f.* +44 8081710044

GetTent.co.uk

UK@Celina.com



# Table of Contents

<b>General Tent Information</b> .....	<b>3-7</b>
Tent SKU Breakdown .....	3
General Tent Information .....	4
Job Site Inspections .....	5
Tent Seating Chart .....	6
General Event Planning Information .....	7
<b>Classic Series Frame Tents</b> .....	<b>8-30</b>
8' Wide (2.4 m) .....	9-10
10' Wide (3 m) .....	11-13
12' Wide (3.7 m) .....	14-16
15' Wide (4.6 m) .....	17-19
20' Wide (6 m) .....	20-22
30' Wide (9.1 m) .....	23-26
40' Wide (12.2 m) .....	27-30
<b>Master Series Frame Tents</b> .....	<b>31-47</b>
10' Wide (3 m) .....	32-34
12' Wide (3.7 m) .....	35-36
15' Wide (4.6 m) .....	36-37
20' Wide (6 m) .....	38-40
30' Wide (9.1 m) .....	41-43
40' Wide (12.2 m) .....	44-47
<b>Master Series High Peak Frame Tents</b> .....	<b>48-50</b>
<b>Hybrid Frame Tent Option</b> .....	<b>51-66</b>
30' Wide (9.1 m) .....	51-59
40' Wide (12.2 m) .....	60-66
<b>Classic Series Gable Frame Tents</b> .....	<b>67-74</b>
10' Wide (3 m) .....	68,69
15' Wide (4.6 m) .....	70
20' Wide (6 m) .....	71,72
30' Wide (9.1 m) .....	73,74
<b>Pinnacle Series High Peak Frame Tents</b> .....	<b>75-79</b>
<b>Classic Series Pole Tents</b> .....	<b>80-122</b>
15' Wide (4.6 m) .....	80-84
20' Wide (6 m) .....	85-89
30' Wide (9.1 m) .....	90-98
40' Wide (12.2 m) .....	99-104
60' Wide (18.3 m) .....	105-114
80' Wide (24.4 m) .....	115-122
<b>Premiere I Series High Peak Pole Tents</b> .....	<b>123-135</b>
15' Wide (4.6 m) .....	124
20' Wide (6 m) .....	124-127
30' Wide (9.1 m) .....	128-131
40' Wide (12.2 m) .....	132-135
<b>Premiere II Series Engineered High Peak Pole</b> .....	<b>136-150</b>
30' Wide (9.1 m) .....	137-139
40' Wide (12.2 m) .....	140-142
50' Wide (15.2 m) .....	143-146
60' Wide (18.3 m) .....	147-150
<b>Presto! Series Pole Canopies</b> .....	<b>151,152</b>
<b>TP Series Tent</b> .....	<b>153</b>
<b>Pythagorean Tent Squaring Chart</b> .....	<b>154</b>
<b>Frame Tent Fittings</b> .....	<b>155</b>
<b>Tent Liners</b> .....	<b>156</b>
<b>Notes</b> .....	<b>157,158</b>





# Tent SKU Breakdown

Example: 20' x 20' Presto Series Pole Canopy, 1 piece tent top, complete

## SKU TYPE

C = Complete System  
T = Fabric Top Only  
H = Poles/Frame Only

## EXPANDABLE FABRIC

Y = 1 Piece Fabric Top  
Z = 2 Piece Fabric Top

## SIZE

X represents 'by' and differentiates the WIDTH and LENGTH of the tent

# C03Y20X20

## TENT CLASS/BRAND

Identity assigned and used to identify the unique characteristics between sizes, styles and class types

## SIZE

WIDTH of the tent

## SIZE

LENGTH of the tent

	<b>C</b>	<b>T</b>	<b>H</b>
<b>CANOPY/TENT/SHELTER SYSTEM</b>	<b>COMPLETE SYSTEM</b>	<b>FABRIC TOP ONLY</b>	<b>POLES/FRAME ONLY</b>
Fast Shade Pop Up Canopy	C01	T01	H01
Pronto Pop Up Canopy	C02	T02	H02
Presto Series Pole Canopy	C03	T03	H03
Classic Series Pole Tent	C04	T04	H04
Bexley Series Frame Canopy	C05	T05	H05
Classic Series Frame Tent	C06	T06	H06
Master Series Frame Tent	C07	T07	H07
Pinnacle Series High Peak Frame Tent	C08	T08	H08
Pinnacle Series Hexagon High Peak Frame Tent	C09	T09	H09
Premiere I Series High Peak Pole Tent	C10	T10	H10
Premiere II Series Engineered High Peak Pole Tent	C11	T11	H11
PROspan Fabric Structures	C12	T12	H12
TP Series Tent	C13	T13	H13
HGPTS - Humanitarian General Purpose Tent System	C14	T14	H14
Classic Series Gable Frame Tent	C15	T15	H15
Master Series High Peak Frame Tent	C16	T16	H16
Athens Utility Shelter	C18	T18	H18
UNICEF Shelter	C21	T21	H21

# General Tent Information

## Rent or Buy?

Celina services event, catering, entertainment and rental companies in addition to corporations and governments around the world. Our most frequently asked question is always “Is it better to rent or buy?” We suggest that if you will be using a tent 3+ per year it’s advantageous to buy your own. For rental companies, Celina’s durable and competitively priced tent tops can be paid off in 5 rentals or less!

## What is a Frame Tent?

A frame tent is assembled with tubing such as aluminum or galvanized steel that supports the fabric top. The rigid framework allows the tent to be free-standing. A frame tent will still require some type of anchoring system, such as ropes or ratchet straps with stakes to hold it in place. Frame tents require no center poles, giving the optimum amount of open or clear space available.

## What is a Pole Tent?

A pole tent requires a set of poles arranged beneath the vinyl top to support the structure. The top is tensioned over the poles and attached to anchoring devices (stakes) at tensioning points around the tent top’s perimeter.

## Getting the most out of your tent, canopy, or shelter.

### Drop Cloths

Protecting and keeping your tent fabric clean can be as easy as one additional step in the installation process - the use of drop cloths. Drop cloths are any fabric sheets that are placed on the ground prior to unfolding a tent top. This additional layer may not seem like much, but offers the best protection against any incidental punctures from small rocks, sticks, or debris that may be lying in the tent installation footprint. Since most vinyl will react to random chemicals, especially oils, protecting your tent fabric in areas like parking lots and yards where chemicals may be present is a major concern.



### Pin Holes

Pin Holes are tiny holes that occur when vinyl encounters sharp objects or when the vinyl is repetatively folded and the block out layer stretches allowing light to pass through. In most cases, tents experience pin holes when they are placed or dragged on rough surfaces, creating the tiny tears and punctures. When installed, pinpoint lights will show through because of these holes. This is especially noticeable on 16 ounce blockout vinyls which, due to their construction, block most light in the first place. The use of drop cloths allows you to prevent the majority of pin holes, which occur during the installation process.



Videos with more information available at [GetTent.com](http://GetTent.com)!

# Job Site Inspections

The purpose of a site inspection is to:

- Ensure the renter and the rental company the tent ordered will fit the renters' needs (and space) prior to arrival at the site.
- To ensure the site is safe for the tent erection crew and the tent renter, before a tent can be erected the following conditions must be determined either by the rental company or the renter.

## Location

After the proper tent size and style (frame tent vs. pole tent) has been determined, choose a desirable location for the tent.

- The minimum area required for a Classic Pole tent is 10' (3 m) in length and width more than the actual tent size (when using 7' (2.1 m) side poles). This allows 5' (1.5 m) around all sides for stakes. Minimum area required for a Premiere Pole tent is 10' (3 m) in length and width more than actual tent size. (Example: A Classic 20' x 30' (6 m x 9 m) Pole tent requires a minimum of 30' x 40' (9.1 m x 12.2 m) of space. A Premiere 20' x 30' (6 m x 9 m) pole tent requires a minimum of 30' x 40' (9.1 m x 12.2 m) of space.
- The minimum area required for a frame tent is approximately 1' around the perimeter, but we recommend whenever possible to stake out 5' (1.5 m) when using a 7' (2.1 m) height of the leg, this results in maximum support. (Example: A Classic 20' x 30' (6 m x 9 m) Frame tent, on 7' (2.1 m) legs, requires a minimum of 30' x 40' (9.1 m x 12.2 m).)

## Underground

It is the installers and/or property owner's responsibility to locate all possible underground utilities that could be located underneath the specified areas.

- Utilities could include, but not limited to water, gas, electric, telephone, sewage, etc.
- If any utilities lay underground of the specified area, THEY MUST BE MARKED.
- If you have any doubts or questions about any underground utilities, contact the local or state Utilities Protection Service. Most utility protection services require a minimum of 48 hours to locate and mark all underground utilities.

## Overhead

Visually check the specified area for any and all overhead obstructions that could possibly be in the area of the erected tent top.

- This includes tree limbs, branches, basketball rims, power lines, etc.
- Tent height information can be obtained from Celina.

## Surface

Surface is also an important issue in determining the proper type of anchor. Listed below are the 3 main types of surface conditions and the standard methods of anchoring.

- Grass - Staked
- Asphalt - Staked
- Concrete - Staked / Concrete Anchors  
(Asphalt plugs and concrete patch are available to repair holes)

**Note:** Celina Tent does not recommend water barrels for proper tent installation

# Tent Seating Chart

Tent Size			Square Footage/ Square Meters	Stand-up Cocktail	Buffet Dinner	Sit-down Dinner	Cathedral Seating
Width	x	Length					
20' (6.1 m)	x	20' (6.1 m)	400 ft <sup>2</sup> (37.1 m <sup>2</sup> )	67	50	40	67
20' (6.1 m)	x	30' (9.1 m)	600 ft <sup>2</sup> (55.7 m <sup>2</sup> )	100	75	60	100
20' (6.1 m)	x	40' (12.2 m)	800 ft <sup>2</sup> (74.3 m <sup>2</sup> )	133	100	80	133
20' (6.1 m)	x	50' (15.2 m)	1000 ft <sup>2</sup> (92.9 m <sup>2</sup> )	167	125	100	167
20' (6.1 m)	x	60' (18.3 m)	1200 ft <sup>2</sup> (111.4 m <sup>2</sup> )	200	150	120	200
30' (9.1 m)	x	30' (9.1 m)	900 ft <sup>2</sup> (83.6 m <sup>2</sup> )	150	113	90	150
30' (9.1 m)	x	40' (12.2 m)	1200 ft <sup>2</sup> (111.4 m <sup>2</sup> )	200	150	120	200
30' (9.1 m)	x	45' (13.7 m)	1350 ft <sup>2</sup> (125.4 m <sup>2</sup> )	225	169	135	225
30' (9.1 m)	x	50' (15.2 m)	1500 ft <sup>2</sup> (139.3 m <sup>2</sup> )	250	188	150	250
30' (9.1 m)	x	60' (18.3 m)	1800 ft <sup>2</sup> (167.2 m <sup>2</sup> )	300	225	180	300
30' (9.1 m)	x	75' (22.8 m)	2250 ft <sup>2</sup> (209.0 m <sup>2</sup> )	375	291	225	375
30' (9.1 m)	x	90' (27.4 m)	2700 ft <sup>2</sup> (250.8 m <sup>2</sup> )	450	338	270	450
30' (9.1 m)	x	105' (105 m)	3150 ft <sup>2</sup> (292.6 m <sup>2</sup> )	525	394	315	525
30' (9.1 m)	x	120' (36.5 m)	3600 ft <sup>2</sup> (334.4 m <sup>2</sup> )	600	450	306	600
40' (12.2 m)	x	40' (12.2 m)	1600 ft <sup>2</sup> (148.6 m <sup>2</sup> )	267	200	160	267
40' (12.2 m)	x	60' (18.3 m)	2400 ft <sup>2</sup> (222.9 m <sup>2</sup> )	400	300	240	400
40' (12.2 m)	x	80' (24.4 m)	3200 ft <sup>2</sup> (297.2 m <sup>2</sup> )	533	400	320	533
40' (12.2 m)	x	100' (30 m)	4000 ft <sup>2</sup> (371.6 m <sup>2</sup> )	667	500	400	667
40' (12.2 m)	x	120' (35.5 m)	4800 ft <sup>2</sup> (445.9 m <sup>2</sup> )	800	600	480	800
40' (12.2 m)	x	140' (42.3 m)	5600 ft <sup>2</sup> (520.2 m <sup>2</sup> )	933	700	560	933
40' (12.2 m)	x	160' (48.7 m)	6400 ft <sup>2</sup> (594.5 m <sup>2</sup> )	1067	800	640	1067
40' (12.2 m)	x	180' (54.8 m)	7200 ft <sup>2</sup> (668.9 m <sup>2</sup> )	1200	900	720	1200
40' (12.2 m)	x	200' (60.9 m)	8000 ft <sup>2</sup> (743.2 m <sup>2</sup> )	1333	1000	800	1333
60' (18.3 m)	x	60' (18.3 m)	3600 ft <sup>2</sup> (334.4 m <sup>2</sup> )	600	450	360	600
60' (18.3 m)	x	80' (24.3 m)	4800 ft <sup>2</sup> (445.9 m <sup>2</sup> )	800	600	480	800
60' (18.3 m)	x	90' (27.4 m)	5400 ft <sup>2</sup> (501.6 m <sup>2</sup> )	900	675	540	900
60' (18.3 m)	x	100' (30 m)	6000 ft <sup>2</sup> (557.4 m <sup>2</sup> )	1000	750	600	1000
60' (18.3 m)	x	120' (35.5 m)	7200 ft <sup>2</sup> (668.9 m <sup>2</sup> )	1200	900	720	1200
80' (24.4 m)	x	80' (24.4 m)	6400 ft <sup>2</sup> (594.5 m <sup>2</sup> )	1067	800	640	1067
80' (24.4 m)	x	100' (30 m)	8000 ft <sup>2</sup> (743.2 m <sup>2</sup> )	1333	1000	800	1333
80' (24.4 m)	x	120' (35.5 m)	9600 ft <sup>2</sup> (891.8 m <sup>2</sup> )	1600	1200	960	1600
80' (24.4 m)	x	140' (42.3 m)	11200 ft <sup>2</sup> (1040.5 m <sup>2</sup> )	1867	1400	1120	1867
80' (24.4 m)	x	160' (48.7 m)	12800 ft <sup>2</sup> (1189.1 m <sup>2</sup> )	2133	1600	1280	2133
80' (24.4 m)	x	180' (54.8 m)	14400 ft <sup>2</sup> (1337.8 m <sup>2</sup> )	2400	1800	1440	2400
80' (24.4 m)	x	200' (60.9 m)	16000 ft <sup>2</sup> (1486.4 m <sup>2</sup> )	2667	2000	1600	2667



## General Event Planning

**Cocktail Parties (standing room only)** - 5/6 ft<sup>2</sup> (1.5/1.8 m<sup>2</sup>) per person

**Cocktail Parties (with some seated)** - 8 ft<sup>2</sup> (2.4 m<sup>2</sup>) per person

**Dinner using 8' banquet tables** - 8 ft<sup>2</sup> (2.4 m<sup>2</sup>) per person

**Dinner using 60" round tables** - 10 ft<sup>2</sup> (3 m<sup>2</sup>) per person

**Cathedral seating (seating in rows)** - 6 ft<sup>2</sup> (1.8 m<sup>2</sup>) per person

**Dance area / 5 square foot per dancer** - 2 ft<sup>2</sup> (0.6 m<sup>2</sup>) per attendee

### Tables (seating capacities)

**8' x 30" (2.4 m x 76.2 cm) Banquet** - Seats 8-10

**6' x 30" (1.8 m x 76.2 cm) Banquet** - Seats 6-8

**60" (152.4 cm) Round** - Seats 8-10

**72" (182.9 cm) Round** - Seats 10-12

### Band Equipment

**Grand Piano** - 100 ft<sup>2</sup> (30.5 m<sup>2</sup>)

**Upright Piano** - 30 ft<sup>2</sup> (9.1 m<sup>2</sup>)

**Drums** - 20 ft<sup>2</sup> (6.1 m<sup>2</sup>)



Aside from main traffic aisles, allow 4.5' (1.4 m) between round tables for chair and service space, and 5' (1.5 m) between oblong tables where seating is back to back. This permits 24" (61 cm) service space behind 18" (45.7 cm) chair depth.

Complete your tent with the installation of a tent liner!



# Classic Frame Tent Series



™ The Classic Series Frame tent is a tent which utilizes a simple frame to support the tent top, maximizing the usable space available underneath the tent. All Classic Series Frame tents use West Coast Style frames and fittings, making them interchangeable with all other frames and fittings in this style. Frame tents need to be staked to the ground or otherwise anchored for maximum stability.



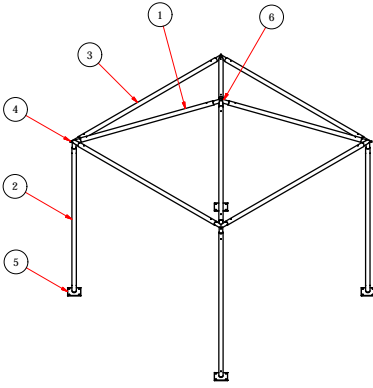
## TENT CONSTRUCTION:

- 16 oz (540 gsm) blockout, flame resistant, mold and mildew resistant vinyl
- All panels are bonded with 1" (25.4 mm) heat sealed overlapped seams
- 5/32" (3.9 mm) Nylon sidewall rope line around perimeter of tent top
- Sidewall rope line is replaceable if ever needed
- Multi-layered reinforcements at crown locations
- Scalloped valances bound with vinyl binding
- 95% of tent top is bonded with **heat sealed** construction
- Stock colors and custom printing available by special order



Celina Tent recommends that all frame tents be anchored down at each leg location at a distance of 5' (1.5 m) from each leg preferably by stakes and ratchets. Popular applications for frame tents include, but are not limited to, weddings, trade show exhibits, graduations, and many other events which may require a party tent.

### 8' x 8' (2.4 m x 2.4 m) Classic Frame



Frame Tubing				
Item	Description	Size	Color	Qty.
1	Hip Rafter	5'4" (1.6 m)	White	4
3	Spreader	7'4" (2.2 m)	White	4
2	Legs	6'8" (2.0 m)/ 7'8" (2.3 m)	Brown/ Black	4

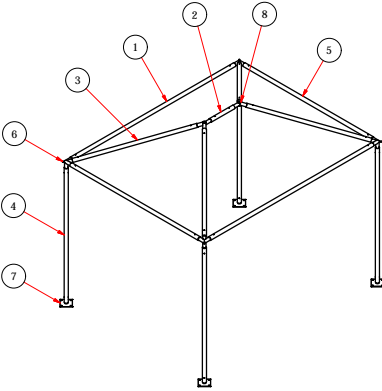
Frame Fittings		
Item	Description	Qty.
4	Corner	4
6	4 Way Crown	1
5	Base Plates	4
	R Pin/Pin & Bail	28
	Ratchet Buckles	4
	Stake/Anchors	4

Sidewalls Available

Standard Pitch = 2' (0.6 m)



### 8' x 10' (2.4 m x 3.1 m) Classic Frame



Frame Tubing				
Item	Description	Size	Color	Qty.
5	Spreader 2	7'4" (2.2 m)	White	2
1	Spreader 1	9'4" (2.8 m)	White	2
2	Top Spreader	1'4" (0.4 m)	White	1
3	Hip Rafter	5'4" (1.6 m)	White	4
4	Legs	6'8" (2.0 m)/ 7'8" (2.3 m)	Brown/ Black	4

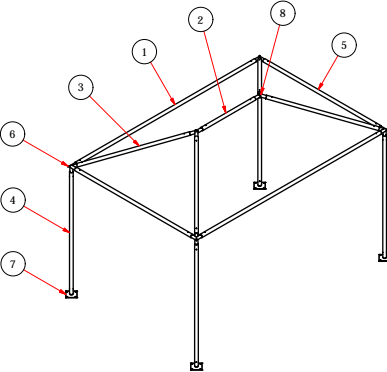
Frame Fittings		
Item	Description	Qty.
6	Corner	4
8	3 Way Crown	2
7	Base Plates	4
	R Pin/Pin & Bail	30
	Ratchet Buckles	4
	Stake/Anchors	4

Sidewalls Available

Standard Pitch = 2' (0.6 m)



### 8' x 12' (2.4 m x 3.7 m) Classic Frame



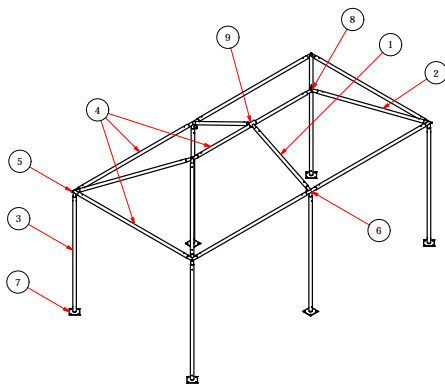
Frame Tubing				
Item	Description	Size	Color	Qty.
5	Spreader 2	7'4" (2.2 m)	White	2
1	Spreader 1	11'4" (3.4 m)	White	2
2	Top Spreader	3'4" (1.0 m)	White	1
3	Hip Rafter	5'4" (1.6 m)	White	4
4	Legs	6'8" (2.0 m)/ 7'8" (2.3 m)	Brown/ Black	4

Frame Fittings		
	Description	Qty.
6	Corner	4
8	3 Way Crown	2
7	Base Plates	4
	R Pin/Pin & Bail	30
	Ratchet Buckles	4
	Stake/Anchors	4

Sidewalls Available

Standard Pitch = 2' (0.6 m)

# 8' x 16' (2.4 m x 4.9 m) Classic Frame



Standard Pitch = 2' (0.6 m)

Frame Tubing				
Item	Description	Size	Color	Qty.
4	Spreader	7'4" (2.2 m)	White	7
1	Rafter	3'10" (1.2 m)	Green	2
2	Hip Rafter	5'4" (1.6 m)	White	4
3	Legs	6'8" (2.0 m)/ 7'8" (2.3 m)	Brown/ Black	6

Frame Fittings		
	Description	Qty.
5	Corner	4
8	3 Way Crown	2
6	Side Tee w/ Ring	2
9	Adjustable Crown	1
7	Base Plates	6
	R Pin/Pin & Bail	44
	Ratchet Buckles	6
	Stake/Anchors	6

Sidewalls Available

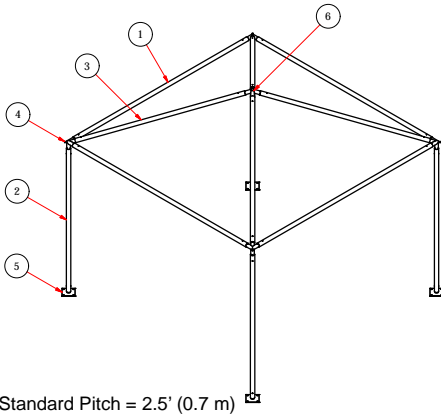


## 8' (2.4 m) Wide Classic Frame

8' (2.4 m) Wide Frame	8'/ 2.4 m	10'/ 3 m	12'/ 12.2 m	16'/ 4.8 m	20'/ 6.1 m	24'/ 7.3 m	30'/ 9.1 m	32'/ 9.7 m	40'/ 12.1 m	50'/ 15.2 m	60'/ 18.2 m	70'/ 21.3 m
Corner (F01COR)	4	4	4	4	4	4	4	4	4	4	4	4
Side Tee w/ Ring (F02STRING)	---	---	---	2	2	4	4	6	6	8	10	12
4 Way Crown (F064WC)	1	---	---	---	---	---	---	---	---	---	---	---
3 Way Crown (F073WC)	---	2	2	2	2	2	2	2	2	2	2	2
Ridge Crown (F08RC)	---	---	---	---	---	2	2	3	3	4	5	6
Adjustable Crown (F09AC)	---	---	---	1	1	---	---	---	---	---	---	---
R Pin/Pin & Bail	28	30	30	44	44	62	62	78	78	94	110	126
8' (2.4 m) Cable	---	---	---	---	---	2	2	3	3	4	5	6
6'8" (2.0 m)/7'8" (2.3 m) Legs	4	4	4	6	6	8	8	10	10	12	14	16
1'4" (0.4 m) Tube	---	1	---	---	---	---	---	---	---	---	---	---
3'4" (1.0 m) Tube	---	---	1	---	---	2	---	2	---	---	---	---
3'10" (1.2 m) Tube	---	---	---	2	2	4	4	6	6	8	10	12
5'4" (1.6 m) Tube	4	4	4	4	6	4	6	4	6	6	6	6
7'4" (2.2 m) Tube	4	2	2	7	2	9	2	12	2	2	2	2
9'4" (2.8 m) Tube	---	2	---	---	4	---	7	---	10	13	16	19
Ratchet Buckles	4	4	4	6	6	8	8	10	10	12	14	16
Stake/Anchors	4	4	4	6	6	8	8	10	10	12	14	16
Base Plates (F03BP)	4	4	4	6	6	8	8	10	10	12	14	16
Square Footage/ Square Meters	64 ft <sup>2</sup> / 5.9 m <sup>2</sup>	80 ft <sup>2</sup> / 7.4 m <sup>2</sup>	96 ft <sup>2</sup> / 8.9 m <sup>2</sup>	128 ft <sup>2</sup> / 11.6 m <sup>2</sup>	160 ft <sup>2</sup> / 14.8 m <sup>2</sup>	192 ft <sup>2</sup> / 17.8 m <sup>2</sup>	240 ft <sup>2</sup> / 22.2 m <sup>2</sup>	256 ft <sup>2</sup> / 23.7 m <sup>2</sup>	320 ft <sup>2</sup> / 29.7 m <sup>2</sup>	400 ft <sup>2</sup> / 37.1 m <sup>2</sup>	480 ft <sup>2</sup> / 44.5 m <sup>2</sup>	560 ft <sup>2</sup> / 52.0 m <sup>2</sup>



## 10' x 10' (3 m x 3 m) Classic Frame



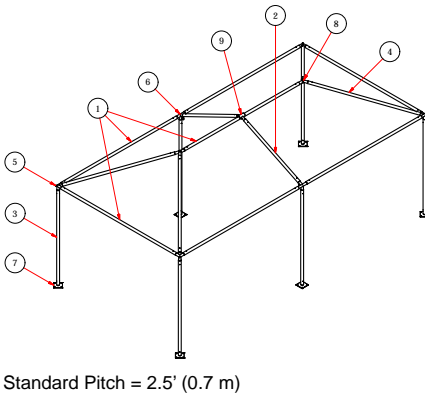
Frame Tubing				
Item	Description	Size	Color	Qty.
3	Hip Rafter	6'10" (2.1 m)	Green	4
1	Spreader	9'4" (2.8 m)	White	4
2	Legs	6'8" (2.0 m)/ 7'8" (2.3 m)	Brown/ Black	4

Frame Fittings		
Item	Description	Qty.
4	Corner	4
6	4 Way Crown	1
5	Base Plates	4
	R Pin/Pin & Bail	28
	Ratchet Buckles	4
	Stake/Anchors	4

Sidewalls	
Size	Qty.
20' (6.1 m)	2
30' (9.1 m)	---



## 10' x 20' (3 m x 6.1 m) Classic Frame

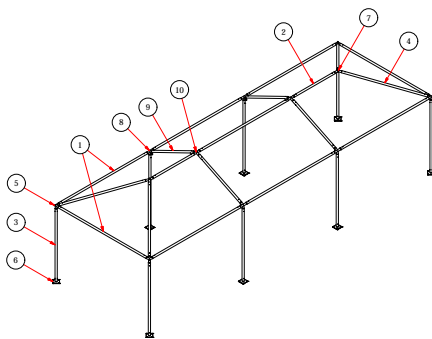


Frame Tubing				
Item	Description	Size	Color	Qty.
1	Spreader	9'4" (2.8 m)	White	7
2	Rafter	4'11" (1.5 m)	Green	2
4	Hip Rafter	6'10" (2.1 m)	Green	4
3	Legs	6'8" (2.0 m)/ 7'8" (2.3 m)	Brown/ Black	6

Frame Fittings		
Item	Description	Qty.
5	Corner	4
8	3 Way Crown	2
6	Side Tee w/ Ring	2
9	Adjustable Crown	1
7	Base Plates	6
	R Pin/Pin & Bail	44
	Ratchet Buckles	6
	Stake/Anchors	6

Sidewalls	
Size	Qty.
20' (6.1 m)	3
30' (9.1 m)	---

## 10' x 30' (3 m x 9.1 m) Classic Frame



Standard Pitch = 2.5' (0.7 m)

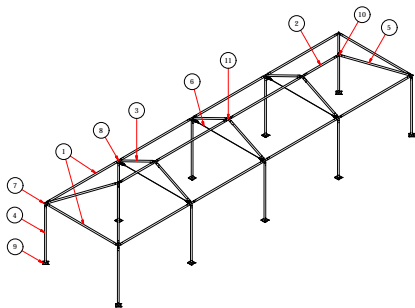
Frame Tubing				
Item	Description	Size	Color	Qty.
1	Spreader	9'4" (2.8 m)	White	9
9	Rafter	4'11" (1.5 m)	Green	4
4	Hip Rafter	6'10" (2.1 m)	Green	4
3	Legs	6'8" (2.0 m) / 7'8" (2.3 m)	Brown/ Black	8
2	Top Spreader	4'4" (1.3 m)	White	2

Frame Fittings		
Item	Description	Qty.
5	Corner	4
7	3 Way Crown	2
8	Side Tee w/ Ring	4
10	Ridge Crown	2
6	Base Plates	8
	R Pin/Pin & Bail	62
	Ratchet Buckles	8
	Stake/Anchors	8

Sidewalls	
Size	Qty.
20' (6.1 m)	1
30' (9.1 m)	2



## 10' x 40' (3 m x 12.2 m) Classic Frame



Standard Pitch = 2.5' (0.7 m)

Frame Tubing				
Item	Description	Size	Color	Qty.
1	Spreader	9'4" (2.8 m)	White	12
3	Rafter	4'11" (1.5 m)	Green	6
5	Hip Rafter	6'10" (2.1 m)	Green	4
4	Legs	6'8" (2.0 m) / 7'8" (2.3 m)	Brown / Black	10
2	Top Spreader	4'4" (1.3 m)	White	2

Frame Fittings		
Item	Description	Qty.
7	Corner	4
10	3 Way Crown	2
8	Side Tee w/ Ring	6
11	Ridge Crown	3
9	Base Plates	10
	R Pin/Pin & Bail	78
6	10' (3 m) Cables	3
	Ratchet Buckles	10
	Stake/Anchors	10

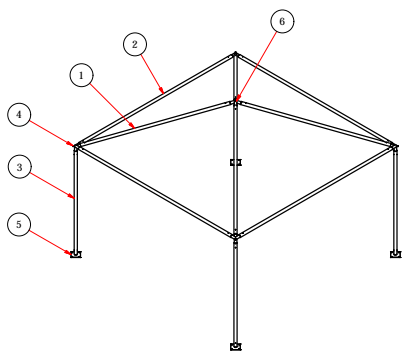
Sidewalls	
Size	Qty.
20' (6.1 m)	5
30' (9.1 m)	---



# 10' (3 m) Wide

	10'/ 3 m	20'/ 6.1 m	30'/ 9.1 m	40'/ 12.1 m	50'/ 15.2 m	60'/ 18.2 m	70'/ 21.3 m	80'/ 24.3 m	90'/ 27.4 m	100'/ 30 m	110'/ 33.5 m	120'/ 36.5 m	130'/ 39.6 m	140'/ 42.3 m	150'/ 45.7 m
<b>10' (3 m) Wide Classic Frame</b>															
Corner (F01COR)	4	4	4	4	4	4	4	4	4	4	4	4	4	4	4
Side Tee w/ Ring (F02STRING)	---	2	4	6	8	10	12	14	16	18	20	22	24	26	28
4 Way Crown (F064WC)	1	---	---	---	---	---	---	---	---	---	---	---	---	---	---
3 Way Crown (F073WC)	---	2	2	2	2	2	2	2	2	2	2	2	2	2	2
Ridge Crown (F08RC)	---	---	2	3	4	5	6	7	8	9	10	11	12	13	14
Adjustable Crown (F09AC)	---	1	---	---	---	---	---	---	---	---	---	---	---	---	---
R Pin/Pin & Bail	28	44	62	78	94	110	126	142	158	174	190	206	222	238	254
10'(3 m) Cable	---	---	---	3	4	5	6	7	8	9	10	11	12	13	14
6'8" (2.0 m)/7'8"(2.3 m) Legs	4	6	8	10	12	14	16	18	20	22	24	26	28	30	32
4'4" (1.3 m) Tube	---	---	2	2	2	2	2	2	2	2	2	2	2	2	2
4'11" (1.5 m) Tube	---	2	4	6	8	10	12	14	16	18	20	22	24	26	28
6'10" (2.1 m) Tube	4	4	4	4	4	4	4	4	4	4	4	4	4	4	4
9'4" (2.8 m) Tube	4	4	9	12	15	18	21	24	27	30	33	36	39	42	45
Ratchet Buckles	4	6	8	10	12	14	16	18	20	22	24	26	28	30	32
Stake/Anchors	4	6	8	10	12	14	16	18	20	22	24	26	28	30	32
Base Plates (F03BP)	4	6	8	10	12	14	16	18	20	22	24	26	28	30	32
Span Length (leg to leg)	10	10	10	10	10	10	10	10	10	10	10	10	10	10	10
Square Footage/ Square Meters	100 ft²/ 9.2 m²	200 ft²/ 18.5 m²	300 ft²/ 27.8 m²	400 ft²/ 37.1 m²	500 ft²/ 46.4 m²	600 ft²/ 55.7 m²	700 ft²/ 65.0 m²	800 ft²/ 74.3 m²	900 ft²/ 83.6 m²	1000 ft²/ 92.9 m²	1100 ft²/ 102.1 m²	1200 ft²/ 111.4 m²	1300 ft²/ 120.7 m²	1400 ft²/ 130.0 m²	1500 ft²/ 139.3 m²

## 12' x 12' (3.7 m x 3.7 m) Classic Frame



Standard Pitch = 3' (0.9 m)

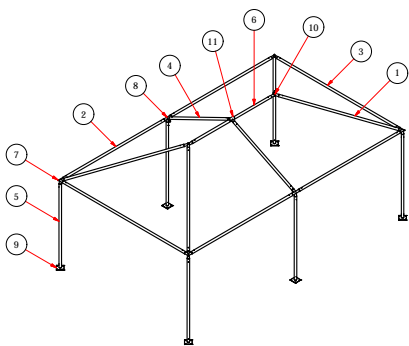
Frame Tubing				
Item	Description	Size	Color	Qty.
2	Spreader	11'4" (3.4 m)	White	4
1	Hip Rafter	8'4" (2.5 m)	White	4
3	Legs	6'8" (2.0 m)/ 7'8" (2.3 m)	Brown/ Black	4

Frame Fittings		
Item	Description	Qty.
4	Corner	4
6	4 Way Crown	1
5	Base Plates	4
	R Pin/Pin & Bail	28
	Ratchet Buckles	4
	Stake/Anchors	4

Sidewalls Available



## 12' x 20' (3.7 m x 6.1 m) Classic Frame



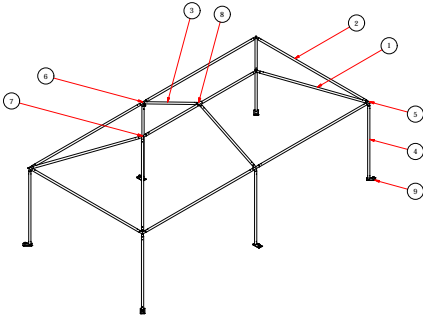
Standard Pitch = 3' (0.9 m)

Frame Tubing				
Item	Description	Size	Color	Qty.
3	Spreader 2	11'4" (3.4 m)	White	2
2	Spreader 1	9'4" (2.8 m)	White	4
6	Top Spreader	7'4" (2.2 m)	White	1
1	Hip Rafter	8'4" (2.5 m)	White	4
4	Rafter	6'1" (1.8 m)	Red	2
5	Legs	6'8" (2.0m)/ 7'8"(2.3 m)	Brown/ Black	6

Frame Fittings		
Item	Description	Qty.
7	Corner	4
10	3 Way Crown	2
8	Side Tee w/ Ring	2
11	Adjustable Crown	1
9	Base Plates	6
	R Pin/Pin & Bail	44
	Ratchet Buckles	6
	Stake/Anchors	6

Sidewalls Available

## 12' x 24' (3.7 m x 7.3 m) Classic Frame



Standard Pitch = 3' (0.9 m)

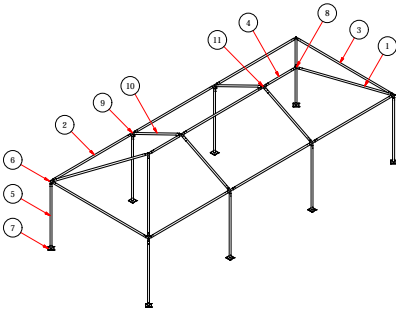
Frame Tubing				
Item	Description	Size	Color	Qty.
2	Spreader	11'4" (3.4 m)	White	7
1	Hip Rafter	8'4" (2.5 m)	White	4
3	Rafter	6'1" (1.8 m)	Red	2
4	Legs	6'8" (2.0 m)/ 7'8" (2.3 m)	Brown/ Black	6

Frame Fittings		
Item	Description	Qty.
5	Corner	4
7	3 Way Crown	2
6	Side Tee w/ Ring	2
8	Adjustable Crown	1
9	Base Plates	6
	R Pin/Pin & Bail	44
	Ratchet Buckles	6
	Stake/Anchors	6

Sidewalls  
Available

  
**CLASSIC**<sup>™</sup>  
Frame Supported Tents

## 12' x 30' (3.7 m x 9.1 m) Classic Frame



Standard Pitch = 3' (0.9 m)

Frame Tubing				
Item	Description	Size	Color	Qty.
3	Spreader 1	11'4" (3.4 m)	White	2
2	Spreader 2	9'4" (2.8 m)	White	7
4	Top Spreader	3'4" (1.0 m)	White	2
1	Hip Rafter	8'4" (2.5 m)	White	4
10	Rafter	6'1" (1.8 m)	Red	4
5	Legs	6'8" (2.0 m)/ 7'8" (2.3 m)	Brown/ Black	8

Frame Fittings		
Item	Description	Qty.
6	Corner	4
8	3 Way Crown	2
9	Side Tee w/ Ring	4
11	Ridge Crown	2
7	Base Plates	8
	R Pin/Pin & Bail	56
	Ratchet Buckles	8
	Stake/Anchors	8

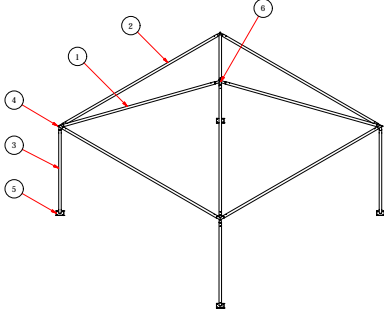
Sidewalls  
Available



# 12' (3.7 m) Wide

12' (3.7 m) Wide Classic Frame	12' / 3.6 m	20' / 6.1 m	24' / 7.3 m	30' / 9.1 m	36' / 10.9 m	40' / 12.1 m	48' / 14.6 m	50' / 15.2 m	60' / 18.2 m	70' / 21.3 m	80' / 24.3 m
Corner (F01COR)	4	4	4	4	4	4	4	4	4	4	4
Slide Tee w/ Ring (F02STRING)	---	2	2	4	4	6	6	8	10	12	14
4 Way Crown (F064WC)	1	---	---	---	---	---	---	---	---	---	---
3 Way Crown (F073WC)	---	2	2	2	2	2	2	2	2	2	2
Ridge Crown (F08RC)	---	---	---	---	2	3	3	4	5	6	7
Adjustable Crown (F09AC)	---	1	1	1	---	---	---	---	---	---	---
R Pin/Pin & Bail	28	44	44	56	62	78	78	94	110	126	142
12' (3.7 m) Cable	---	---	---	---	1	2	3	4	5	6	7
6'8" (2.0 m)/7'8" (2.3 m) Legs	4	6	6	8	6	10	8	12	14	16	18
3'4" (1.0 m) Tube	---	2	---	2	---	2	---	2	2	2	2
5'4" (1.6 m) Tube	---	---	2	---	2	---	2	---	---	---	---
6'1" (1.8 m) Tube	---	2	2	4	4	6	6	8	10	12	14
8'4" (2.5 m) Tube	4	4	4	4	4	4	4	4	4	4	4
9'4" (2.8 m) Tube	---	4	---	7	---	10	---	13	16	19	22
11'4" (3.4 m) Tube	4	2	6	2	9	2	12	2	2	2	2
Ratchet Buckles	4	6	6	8	6	10	8	12	14	16	18
Stakes/Anchors	4	6	6	8	6	10	8	12	14	16	18
Base Plates (F03BP)	4	6	6	8	6	10	8	12	14	16	18
Span Length (leg to leg)	12	10	12	10	12	10	12	10	10	10	10
Square Footage/Square Meters	144 ft <sup>2</sup> / 13.3 m <sup>2</sup>	240 ft <sup>2</sup> / 22.2 m <sup>2</sup>	288 ft <sup>2</sup> / 26.7 m <sup>2</sup>	360 ft <sup>2</sup> / 33.4 m <sup>2</sup>	432 ft <sup>2</sup> / 40.1 m <sup>2</sup>	480 ft <sup>2</sup> / 44.5 m <sup>2</sup>	576 ft <sup>2</sup> / 53.5 m <sup>2</sup>	600 ft <sup>2</sup> / 55.7 m <sup>2</sup>	720 ft <sup>2</sup> / 66.8 m <sup>2</sup>	840 ft <sup>2</sup> / 78.0 m <sup>2</sup>	960 ft <sup>2</sup> / 89.1 m <sup>2</sup>

## 15' x 15' (4.6 m x 4.6 m) Classic Frame



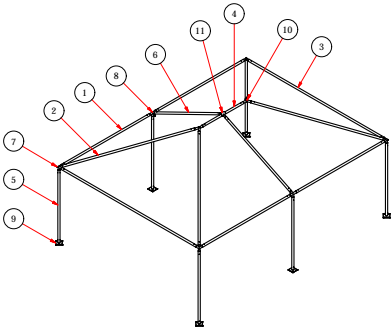
Standard Pitch = 3'9" (1.1 m)

Frame Tubing				
Item	Description	Size	Color	Qty.
2	Spreader	14'4" (4.3 m)	Red	4
1	Hip Rafter	10'6" (3.2 m)	Green	4
3	Legs	6'8" (2.0 m)/ 7'8" (2.3 m)	Brown/ Black	4

Frame Fittings			Sidewalls	
Item	Description	Qty.	Size	Qty.
4	Corner	4	20' (6.1 m)	---
6	4 Way Crown	1	30' (9.1 m)	2
5	Base Plates	4		
	R Pin/Pin & Bail	28		
	Ratchet Buckles	4		
	Stake/Anchors	4		



## 15' x 20' (4.6 m x 6.1 m) Classic Frame



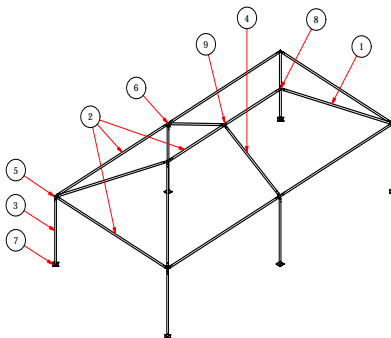
Standard Pitch = 3'9" (1.1 m)

Frame Tubing				
Item	Description	Size	Color	Qty.
3	Spreader 2	14'4" (4.3 m)	Red	2
1	Spreader 1	9'4" (2.8 m)	White	4
4	Top Spreader	4'4" (1.3 m)	White	1
2	Hip Rafter	10'6" (3.2 m)	Green	4
6	Rafter	7'8" (2.3 m)	Black	2
5	Legs	6'8" (2.0 m)/ 7'8" (2.3 m)	Brown/ Black	6

Frame Fittings			Sidewalls	
Item	Description	Qty.	Size	Qty.
7	Corner	4	20' (6.1 m)	2
10	3 Way Crown	2	30' (9.1 m)	1
8	Side Tee w/ Ring	2		
11	Adjustable Crown	1		
9	Base Plates	6		
	R Pin/Pin & Bail	44		
	Ratchet Buckles	6		
	Stake/Anchors	6		



## 15' x 30' (4.6 m x 9.1 m) Classic Frame

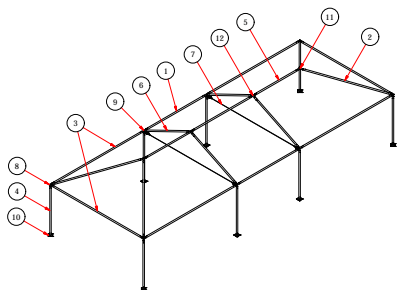


Standard Pitch = 3'9" (1.1 m)

Frame Tubing				
Item	Description	Size	Color	Qty.
2	Spreader	14'4" (4.3 m)	Red	7
1	Hip Rafter	10'6" (3.2 m)	Green	4
4	Rafter	7'8" (2.3 m)	Black	2
3	Legs	6'8" (2.0 m)/ 7'8" (2.3 m)	Brown/ Black	6

Frame Fittings			Sidewalls	
Item	Description	Qty.	Size	Qty.
5	Corner	4	20' (6.1 m)	---
8	3 Way Crown	2	30' (9.1 m)	3
6	Side Tee w/ Ring	2		
9	Adjustable Crown	1		
7	Base Plates	6		
	R Pin/Pin & Bail	44		
	Ratchet Buckles	6		
	Stake/Anchors	6		

### 15' x 40' (4.6 m x 12.2 m) Classic Frame



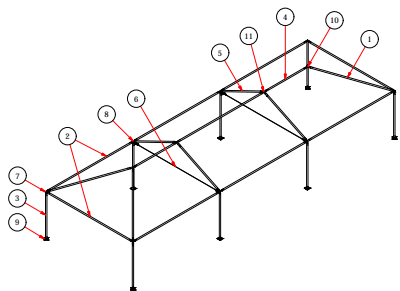
Standard Pitch = 3'9" (1.1 m)

Frame Tubing				
Item	Description	Size	Color	Qty.
3	Spreader 2	14'4" (4.3 m)	Red	6
1	Spreader 1	9'4" (2.8 m)	White	3
5	Top Spreader	6'10" (2.1 m)	Green	2
2	Hip Rafter	10'6" (3.2 m)	Green	4
6	Rafter	7'8" (2.3 m)	Black	4
4	Legs	6'8" (2.0 m) / 7'8" (2.3 m)	Brown/ Black	8

Frame Fittings			Sidewalls	
Item	Description	Qty.	Size	Qty.
8	Corner	4	20' (6.1 m)	4
11	3 Way Crown	2	30' (9.1 m)	1
9	Side Tee w/ Ring	4		
12	Ridge Crown	2		
10	Base Plates	8		
	R Pin/Pin & Bail	44		
7	15' (4.6 m) Cable	2		
	Ratchet Buckles	8		
	Stake/Anchors	8		



### 15' x 45' (4.6 m x 13.7 m) Classic Frame



Standard Pitch = 3'9" (1.1 m)

Frame Tubing				
Item	Description	Size	Color	Qty.
2	Spreader	14'4" (4.3 m)	Red	9
4	Top Spreader	6'10" (2.1 m)	Green	2
1	Hip Rafter	10'6" (3.2 m)	Green	4
5	Rafter	7'8" (2.3 m)	Black	4
3	Legs	6'8" (2.0 m) / 7'8" (2.3 m)	Brown/ Black	8

Frame Fittings			Sidewalls	
Item	Description	Qty.	Size	Qty.
7	Corner	4	20' (6.1 m)	---
10	3 Way Crown	2	30' (9.1 m)	4
8	Side Tee w/ Ring	4		
11	Ridge Crown	2		
9	Base Plates	8		
	R Pin/Pin & Bail	62		
6	15' (4.6 m) Cable	2		
	Ratchet Buckles	8		
	Stake/Anchors	8		

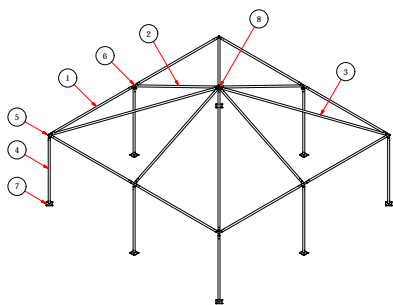




**15' (4.6 m) Wide**

15' (4.6 m) Wide Classic Frame	15'/ 4.5 m	20'/ 6.1 m	30'/ 9.1 m	40'/ 12.1 m	45'/ 13.7 m	50'/ 15.2 m	60'/ 18.2 m	70'/ 21.3 m	75'/ 22.8 m	80'/ 24.3 m	90'/ 27.4 m	100'/ 30 m	110'/ 33.5 m	120'/ 36.5 m
Corner (F01COR)	4	4	4	4	4	4	4	4	4	4	4	4	4	4
Side Tee w/ Ring (F02STRING)	---	2	2	4	4	6	6	8	8	10	10	12	14	14
4 Way Crown (F064WC)	1	---	---	---	---	---	---	---	---	---	---	---	---	---
3 Way Crown (F073WC)	---	2	2	2	2	2	2	2	2	2	2	2	2	2
Ridge Crown (F08RC)	---	---	---	2	2	3	3	4	4	5	5	6	7	7
Adjustable Crown (F09AC)	---	1	1	---	---	---	---	---	---	---	---	---	---	---
R Pin/Pin & Bail	28	44	44	62	62	78	78	94	94	110	110	126	142	142
15' (4.6 m) Cable	---	---	---	2	2	3	3	4	4	5	5	6	7	7
6*8" (2.0 m)/7*8"(2.3 m) Legs	4	6	6	8	8	10	10	12	12	14	14	16	18	18
4*4" (1.3 m) Tube	---	1	---	---	---	---	---	---	---	---	---	---	---	---
6*10" (2.1 m) Tube	---	---	---	2	2	2	2	2	2	2	2	2	2	2
7*8" (2.3 m) Tube	---	2	2	4	4	6	6	8	8	10	10	12	14	14
9*4" (2.8 m) Tube	---	4	---	3	---	6	---	3	---	6	---	3	6	---
10*6" (3.2 m) Tube	4	4	4	4	4	4	4	4	4	4	4	4	4	4
14*4" (4.3 m) Tube	4	2	7	6	9	6	12	12	15	12	18	18	18	24
Ratchet Buckles	4	6	6	8	8	10	10	12	12	14	14	16	18	18
Stake/Anchors	4	6	6	8	8	10	10	12	12	14	14	16	18	18
Base Plates (F03BP)	4	6	6	8	8	10	10	12	12	14	14	16	18	18
Span Length (leg to leg)	15	10	15	10	15	10	15	10	15	10	15	10	15	15
Square Footage/ Square Meters	225 ft <sup>2</sup> / 20.9 m <sup>2</sup>	300 ft <sup>2</sup> / 27.8 m <sup>2</sup>	450 ft <sup>2</sup> / 41.8 m <sup>2</sup>	600 ft <sup>2</sup> / 55.7 m <sup>2</sup>	675 ft <sup>2</sup> / 62.7 m <sup>2</sup>	750 ft <sup>2</sup> / 69.6 m <sup>2</sup>	900 ft <sup>2</sup> / 83.6 m <sup>2</sup>	1050 ft <sup>2</sup> / 97.5 m <sup>2</sup>	1125 ft <sup>2</sup> / 104.5 m <sup>2</sup>	1200 ft <sup>2</sup> / 111.4 m <sup>2</sup>	1350 ft <sup>2</sup> / 125.4 m <sup>2</sup>	1500 ft <sup>2</sup> / 139.3 m <sup>2</sup>	1650 ft <sup>2</sup> / 153.2 m <sup>2</sup>	1800 ft <sup>2</sup> / 167.2 m <sup>2</sup>

## 20' x 20' (6.1 m x 6.1 m) Classic Frame



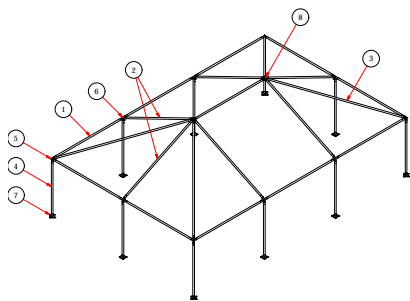
Standard Pitch = 5' (1.5 m)

Frame Tubing				
Item	Description	Size	Color	Qty.
3	Hip Rafter	14'4" (4.3 m)	Red	4
2	Rafter	10'6" (3.2 m)	Green	4
1	Spreader	9'4" (2.8 m)	White	8
4	Legs	6'8" (2.0 m)/ 7'8" (2.3 m)	Brown/ Black	8

Frame Fittings			Sidewalls	
Item	Description	Qty.	Size	Qty.
5	Corner	4	20' (6.1 m)	4
6	Side Tee w/ Ring	4	30' (9.1 m)	---
8	8 Way Crown	1		
7	Base Plates	8		
	R Pin/Pin & Bail	56		
	Ratchet Buckles	8		
	Stake/Anchors	8		



## 20' x 30' (6.1 m x 9.1 m) Classic Frame

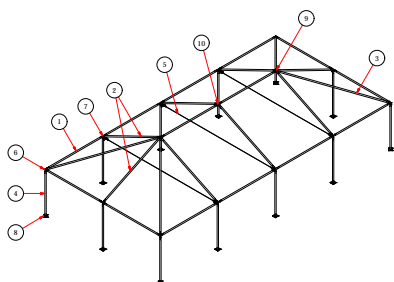


Standard Pitch = 5' (1.5 m)

Frame Tubing				
Item	Description	Size	Color	Qty.
3	Hip Rafter	14'4" (4.3 m)	Red	4
2	Rafter	10'6" (3.2 m)	Green	6
1	Spreader	9'4" (2.8 m)	White	11
4	Legs	6'8" (2.0 m)/ 7'8" (2.3 m)	Brown/ Black	10

Frame Fittings			Sidewalls	
Item	Description	Qty.	Size	Qty.
5	Corner	4	20' (6.1 m)	2
6	Side Tee w/ Ring	6	30' (9.1 m)	2
8	6 Way Crown	2		
7	Base Plates	10		
	R Pin/Pin & Bail	72		
	Ratchet Buckles	10		
	Stake/Anchors	10		

## 20' x 40' (6.1 m x 12.2 m) Classic Frame



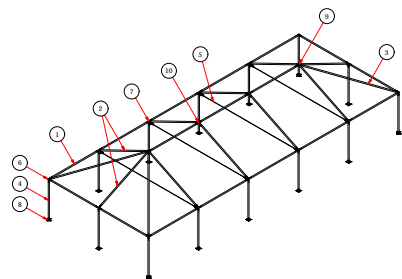
Standard Pitch = 5' (1.5 m)

Frame Tubing				
Item	Description	Size	Color	Qty.
3	Hip Rafter	14'4" (4.3 m)	Red	4
2	Rafter	10'6" (3.2 m)	Green	8
1	Spreader	9'4" (2.8 m)	White	14
4	Legs	6'8" (2.0 m)/ 7'8" (2.3 m)	Brown/ Black	12

Frame Fittings			Sidewalls	
Item	Description	Qty.	Size	Qty.
6	Corner	4	20' (6.1 m)	6
7	Side Tee w/ Ring	8	30' (9.1 m)	---
9	6 Way Crown	2		
10	Ridge Crown	1		
8	Base Plates	12		
	R Pin/Pin & Bail	88		
5	20' (6.1 m) Cable	3		
	Ratchet Buckles	12		
	Stake/Anchors	12		



## 20' x 50' (6.1 m x 15.2 m) Classic Frame



Standard Pitch = 5' (1.5 m)

Frame Tubing				
Item	Description	Size	Color	Qty.
3	Hip Rafter	14'4" (4.3 m)	Red	4
2	Rafter	10'6" (3.2 m)	Green	10
1	Spreader	9'4" (2.8 m)	White	17
4	Legs	6'8" (2.0 m)/ 7'8" (2.3 m)	Brown/ Black	14

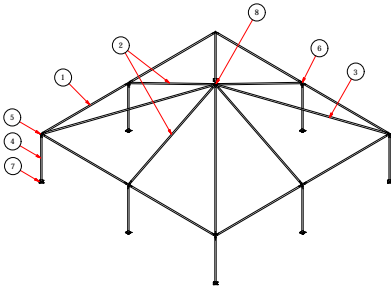
Frame Fittings			Sidewalls	
Item	Description	Qty.	Size	Qty.
6	Corner	4	20' (6.1 m)	4
7	Side Tee w/ Ring	10	30' (9.1 m)	2
9	6 Way Crown	2		
10	Ridge Crown	2		
8	Base Plates	14		
	R Pin/Pin & Bail	104		
5	20' (6.1 m) Cable	4		
	Ratchet Buckles	14		
	Stake/Anchors	14		



# 20' (6.1 m) Wide

20' (6.1 m) Wide Frame	20' / 6.1 m	30' / 9.1 m	40' / 12.1 m	50' / 15.2 m	60' / 18.2 m	70' / 21.3 m	80' / 24.3 m	90' / 27.4 m	100' / 30 m	110' / 33.5 m	120' / 36.5 m	130' / 39.6 m	140' / 42.3 m	150' / 45.7 m
Corner (F01COR)	4	4	4	4	4	4	4	4	4	4	4	4	4	4
Side Tee w/ Ring (F02STRING)	4	6	8	10	12	14	16	18	20	22	24	26	28	30
8 Way Crown (F048WC)	1	---	---	---	---	---	---	---	---	---	---	---	---	---
6 Way Crown (F056WC)	---	2	2	2	2	2	2	2	2	2	2	2	2	2
Ridge Crown (F08RC)	---	---	1	2	3	4	5	6	7	8	9	10	11	12
R Pin/Pin & Bail	56	72	88	104	120	136	152	168	184	200	216	232	248	264
20' (6.1 m) Cable	---	---	3	4	5	6	7	8	9	10	11	12	13	14
6'8" (2.0 m)/7'8" (2.3 m) Legs	8	10	12	14	16	18	20	22	24	26	28	30	32	34
9'4" (2.8 m) Tube	8	11	14	17	20	23	26	29	32	35	38	41	44	47
10'6" (3.2 m) Tube	4	6	8	10	12	14	16	18	20	22	24	24	26	28
14'4" (4.3 m) Tube	4	4	4	4	4	4	4	4	4	4	4	4	4	4
Ratchet Buckles	8	10	12	14	16	18	20	22	24	26	28	30	32	34
Stake/Anchors	8	10	12	14	16	18	20	22	24	26	28	30	32	34
Base Plates (F03BP)	8	10	12	14	16	18	20	22	24	26	28	30	32	34
Span Length (leg to leg)	10	10	10	10	10	10	10	10	10	10	10	10	10	10
Square Footage/ Square Meters	400 ft <sup>2</sup> / 37.1 m <sup>2</sup>	600 ft <sup>2</sup> / 55.7 m <sup>2</sup>	800 ft <sup>2</sup> / 74.3 m <sup>2</sup>	1000 ft <sup>2</sup> / 92.9 m <sup>2</sup>	1200 ft <sup>2</sup> / 111.4 m <sup>2</sup>	1400 ft <sup>2</sup> / 130.0 m <sup>2</sup>	1600 ft <sup>2</sup> / 148.6 m <sup>2</sup>	1800 ft <sup>2</sup> / 167.2 m <sup>2</sup>	2000 ft <sup>2</sup> / 185.8 m <sup>2</sup>	2200 ft <sup>2</sup> / 204.3 m <sup>2</sup>	2400 ft <sup>2</sup> / 222.9 m <sup>2</sup>	2600 ft <sup>2</sup> / 241.5 m <sup>2</sup>	2800 ft <sup>2</sup> / 260.1 m <sup>2</sup>	3000 ft <sup>2</sup> / 278.7 m <sup>2</sup>

## 30' x 30' (9.1 m x 9.1 m) Classic Frame



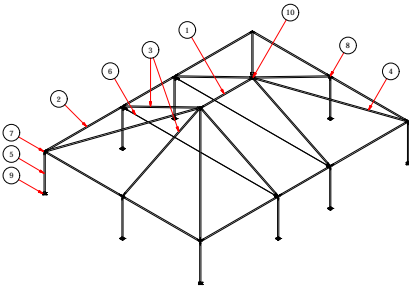
Frame Tubing				
Item	Description	Size	Color	Qty.
3	Hip Rafter	21'10.5" (6.6 m)	Red	4
2	Rafter	16'1" (4.9 m)	Green	4
1	Spreader	14'4" (4.3 m)	Red	8
4	Legs	6'8" (2.0 m)/ 7'8" (2.3 m)	Brown/ Black	8

Frame Fittings			Sidewalls	
Item	Description	Qty.	Size	Qty.
5	Corner	4	20' (6.1 m)	---
6	Side Tee w/ Ring	4	30' (9.1 m)	4
8	8 Way Crown	1		
7	Base Plates	8		
	R Pin/Pin & Bail	56		
	Ratchet Buckles	8		
	Stake/Anchors	8		

Standard Pitch = 8' (2.4 m)



## 30' x 40' (9.1 m x 12.2 m) Classic Frame

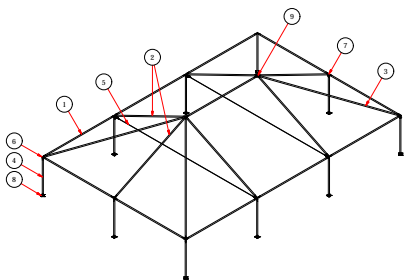


Frame Tubing				
Item	Description	Size	Color	Qty.
4	Hip Rafter	21'10.5" (6.6 m)	Red	4
3	Rafter	16'1" (4.9 m)	Green	6
1	Spreader 1	9'4" (2.8 m)	White	3
2	Spreader 2	14'4" (4.3 m)	Red	8
5	Legs	6'8" (2.0 m)/ 7'8" (2.3 m)	Brown/ Black	10

Frame Fittings			Sidewalls	
Item	Description	Qty.	Size	Qty.
7	Corner	4	20' (6.1 m)	4
8	Side Tee w/ Ring	6	30' (9.1 m)	2
10	6 Way Crown	2		
9	Base Plates	10		
	R Pin/Pin & Bail	72		
6	30' (9.1 m) Cable	2		
	Ratchet Buckles	10		
	Stake/Anchors	10		

Standard Pitch = 8' (2.4 m)

### 30' x 45' (9.1 m x 13.7 m) Classic Frame



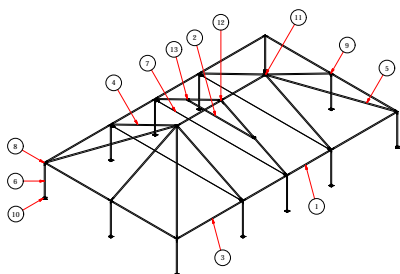
Standard Pitch = 8' (2.4 m)

Frame Tubing				
Item	Description	Size	Color	Qty.
3	Hip Rafter	21'10.5" (6.6 m)	Red	4
2	Rafter	16'1" (4.9 m)	Green	6
1	Spreader	14'4" (4.3 m)	Red	11
4	Legs	6'8" (2.0 m)/ 7'8" (2.3 m)	Brown/ Black	10

Frame Fittings			Sidewalls	
Item	Description	Qty.	Size	Qty.
7	Corner	4	20' (6.1 m)	---
8	Side Tee w/ Ring	6	30' (9.1 m)	5
10	6 Way Crown	2		
9	Base Plates	10		
	R Pin/Pin & Bail	72		
5	30' (9.1 m) Cable	2		
	Ratchet Buckles	10		
	Stake/Anchors	10		



### 30' x 50' (9.1 m x 15.2 m) Classic Frame

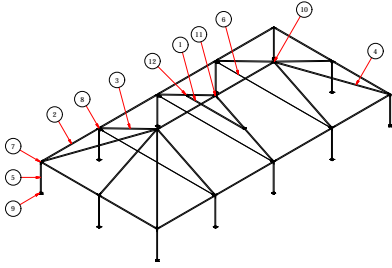


Standard Pitch = 8' (2.4 m)

Frame Tubing				
Item	Description	Size	Color	Qty.
5	Hip Rafter	21'10.5" (6.6 m)	Red	4
4	Rafter	16'1" (4.9 m)	Green	8
1	Spreader 1	9'4" (2.8 m)	White	6
3	Spreader 2	14'4" (4.3 m)	Red	8
2	Rafter Bar	14'4" (4.3 m)	Red	1
6	Legs	6'8" (2.0 m)/ 7'8" (2.3 m)	Brown/ Black	12

Frame Fittings			Sidewalls	
Item	Description	Qty.	Size	Qty.
8	Corner	4	20' (6.1 m)	2
9	Side Tee w/ Ring	8	30' (9.1 m)	4
11	6 Way Crown	2		
12	Ridge Crown	1		
10	Base Plates	12		
12	Ridge Support Bracket	2		
	R Pin/Pin & Bail	88		
6	30' (9.1 m) Cable	3		
	Ratchet Buckles	12		
	Stake/Anchors	12		

## \*30' x 60' (9.1 m x 18.3 m) 4 PC Classic Frame



Standard Pitch = 8' (2.4 m)

Frame Tubing				
Item	Description	Size	Color	Qty.
4	Hip Rafter	21'10.5" (6.6 m)	Red	4
3	Rafter	16'1" (4.9 m)	Green	8
1	Rafter Bar	14'4" (4.3 m)	Red	1
2	Spreader	14'4" (4.3 m)	Red	14
5	Legs	6'8" (2.0 m)/ 7'8" (2.3 m)	Brown/ Black	12

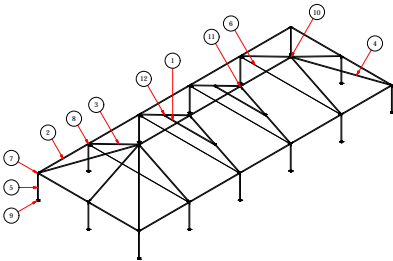
Frame Fittings		
Item	Description	Qty.
7	Corner	4
8	Side Tee w/ Ring	8
10	6 Way Crown	2
11	Ridge Crown	1
9	Base Plates	12
12	Ridge Support Bracket	2
	R Pin/Pin & Bail	88
6	30' (9.1 m) Cable	3
	Ratchet Buckles	12
	Stake/Anchors	12

Sidewalls	
Size	Qty.
20' (6.1 m)	---
30' (9.1 m)	6

\*30' x 60' (9.1 m x 18.3 m) 3 PC Frame Tent also available, pieces may vary between tents



## 30' x 75' (9.1 m x 22.9 m) 5 PC Classic Frame



Standard Pitch = 8' (2.4 m)

Frame Tubing				
Item	Description	Size	Color	Qty.
4	Hip Rafter	21'10.5" (6.6 m)	Red	4
3	Rafter	16'1" (4.9 m)	Green	10
1	Rafter Bar	14'4" (4.3 m)	Red	2
2	Spreader	14'4" (4.3 m)	Red	17
5	Legs	6'8" (2.0 m)/ 7'8" (2.3 m)	Brown/ Black	14

Frame Fittings		
Item	Description	Qty.
7	Corner	4
8	Side Tee w/ Ring	10
10	6 Way Crown	2
11	Ridge Crown	2
9	Base Plates	14
12	Ridge Support Bracket	4
	R Pin/Pin & Bail	108
5	30' (9.1 m) Cable	4
	Ratchet Buckles	14
	Stake/Anchors	14

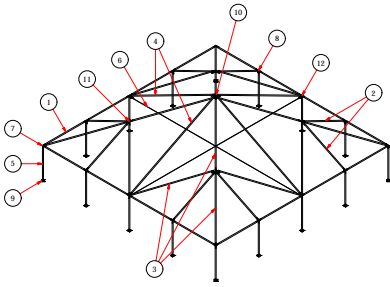
Sidewalls	
Size	Qty.
20' (6.1 m)	---
30' (9.1 m)	7

# 30' (9.1 m) Wide Classic Frame

30' (9.1 m) Wide Classic Frame	30'/ 9.1 m	40'/ 12.1 m	45'/ 13.7 m	50'/ 15.2 m	60'/ 18.2 m	75'/ 22.8 m	90'/ 27.4 m	105'/ 32 m	120'/ 36.5 m	135'/ 41.1 m
Corner (F01COR)	4	4	4	4	4	4	4	4	4	4
Side Tee w/ Ring (F02STRING)	4	6	6	8	8	10	12	14	16	18
8 Way Crown (F048WC)	1	---	---	---	---	---	---	---	---	---
6 Way Crown (F056WC)	---	2	2	2	2	2	2	2	2	2
Ridge Crown (F08RC)	---	---	---	1	1	2	3	4	5	6
Ridge Support Bracket	---	---	---	2	2	4	6	8	10	12
R Pin/Pin & Bail	56	72	72	88	88	108	120	144	162	180
30' (9.1 m) Cable	---	2	2	3	3	4	5	6	7	8
6'8" (2.0 m)/7'8" (2.3 m) Legs	8	10	10	12	12	14	16	18	20	22
9'4" (2.8 m) Tube	---	3	---	6	---	---	---	---	---	---
14'4" (4.3 m) Tube	8	8	11	8	14	17	20	23	26	29
16'1" (4.9 m) Tube	4	6	6	8	8	10	12	14	16	18
14'4" (4.3 m) Rafter Bar	---	---	---	1	1	2	3	4	5	6
21'10.5" (6.6 m) Tube	4	4	4	4	4	4	4	4	4	4
Ratchet Buckles	8	10	10	12	12	14	16	18	20	22
Stake/Anchors	8	10	10	12	12	14	16	18	20	22
Base Plates (F03BP)	8	10	10	12	12	14	16	18	20	22
Span Length (leg to leg)	15	15,10	15	15,10	15	15	15	15	15	15
Square Footage/ Square Meters	900 ft <sup>2</sup> / 83.6 m <sup>2</sup>	1200 ft <sup>2</sup> / 111.4 m <sup>2</sup>	1350 ft <sup>2</sup> / 125.4 m <sup>2</sup>	1500 ft <sup>2</sup> / 139.3 m <sup>2</sup>	1800 ft <sup>2</sup> / 167.2 m <sup>2</sup>	2250 ft <sup>2</sup> / 209.0 m <sup>2</sup>	2700 ft <sup>2</sup> / 250.8 m <sup>2</sup>	3150 ft <sup>2</sup> / 292.6 m <sup>2</sup>	3600 ft <sup>2</sup> / 334.4 m <sup>2</sup>	4050 ft <sup>2</sup> / 376.2 m <sup>2</sup>



## 40' x 40' (12.2 m x 12.2 m) 2 PC Classic Frame



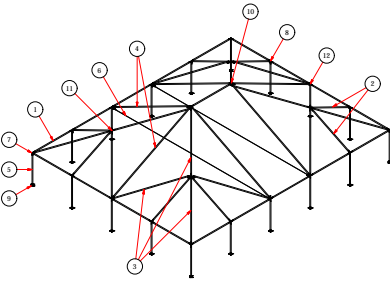
Frame Tubing				
Item	Description	Size	Color	Qty.
4	Rafter	21'10.5" (6.6 m)	Red	4
3	Hip Rafter	14'4" (4.3 m)	Red	16
2	Corner Rafter	10'6" (3.2 m)	Green	8
1	Spreader	9'4" (2.8 m)	White	16
5	Legs	6'8" (2.0 m)/ 7'8" (2.3 m)	Brown/ Black	16

Frame Fittings			Sidewalls	
Item	Description	Qty.	Size	Qty.
7	Corner	4	20' (6.1 m)	8
8	Side Tee w/ Ring	8	30' (9.1 m)	-
10	8 Way Crown	1		
9	Base Plates	16		
	R Pin/Pin & Bail	136		
12	6 Way Side Tee w/ Ring	4		
11	6 Way Hip Joint	4		
6	40' (12.2 m) Cable	2		
	Ratchet Buckles	16		
	Stake/Anchors	16		

Standard Pitch = 10' (3 m)



## 40' x 50' (12.2 m x 15.2 m) 3 PC Classic Frame

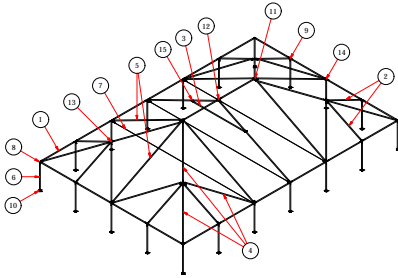


Frame Tubing				
Item	Description	Size	Color	Qty.
4	Rafter	21'10.5" (6.6 m)	Red	6
3	Hip Rafter	14'4" (4.3 m)	Red	16
2	Corner Rafter	10'6" (3.2 m)	Green	8
1	Spreader	9'4" (2.8 m)	White	19
5	Legs	6'8" (2.0 m)/ 7'8" (2.3 m)	Brown/ Black	18

Frame Fittings			Sidewalls	
Item	Description	Qty.	Size	Qty.
7	Corner	4	20' (6.1 m)	6
8	Side Tee w/ Ring	8	30' (9.1 m)	2
10	6 Way Crown	2		
9	Base Plates	18		
	R Pin/Pin & Bail	152		
12	6 Way Side Tee w/ Ring	6		
11	6 Way Hip Joint	4		
6	40' (12.2 m) Cable	2		
	Ratchet Buckles	18		
	Stake/Anchors	18		

Standard Pitch = 10' (3 m)

40' x 60' (12.2 m x 18.3 m) 3 PC Classic Frame



Standard Pitch = 10' (3 m)

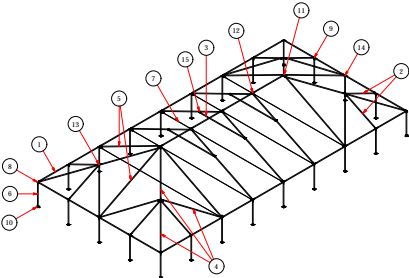
Frame Tubing				
Item	Description	Size	Color	Qty.
5	Rafter	21'10.5" (6.6 m)	Red	8
4	Hip Rafter	14'4" (4.3 m)	Red	16
3	Rafter Bar	14'4" (4.3 m)	Red	1
2	Corner Rafter	10'6" (3.2 m)	Green	8
1	Spreader	9'4" (2.8 m)	White	22
6	Legs	6'8" (2.0 m)/ 7'8" (2.3 m)	Brown/ Black	20

Frame Fittings		
Item	Description	Qty.
8	Corner	4
9	Side Tee w/ Ring	10
11	6 Way Crown	2
10	Base Plates	20
	R Pin/Pin & Bail	170
14	6 Way Side Tee w/ Ring	6
13	6 Way Hip Joint	4
12	Ridge Crown	1
15	Ridge Support Bracket	2
7	40' (12.2 m) Cable	3
	Ratchet Buckles	20
	Stake/Anchors	20

Sidewalls	
Size	Qty.
20' (6.1 m)	4
30' (9.1 m)	4



40' x 80' (12.2 m x 24.4 m) 4 PC Classic Frame



Standard Pitch = 10' (3 m)

Frame Tubing				
Item	Description	Size	Color	Qty.
5	Rafter	21'10.5" (6.6 m)	Red	12
4	Hip Rafter	14'4" (4.3 m)	Red	16
3	Rafter Bar	14'4" (4.3 m)	Red	3
2	Corner Rafter	10'6" (3.2 m)	Green	8
1	Spreader	9'4" (2.8 m)	White	28
6	Legs	6'8" (2.0 m)/ 7'8" (2.3 m)	Brown/ Black	24

Frame Fittings		
Item	Description	Qty.
8	Corner	4
9	Side Tee w/ Ring	14
11	6 Way Crown	2
10	Base Plates	24
	R Pin/Pin & Bail	206
14	6 Way Side Tee w/ Ring	6
13	6 Way Hip Joint	4
12	Ridge Crown	3
15	Ridge Support Bracket	6
7	40' (12.2 m) Cable	5
	Ratchet Buckles	24
	Stake/Anchors	24

Sidewalls	
Size	Qty.
20' (6.1 m)	6
30' (9.1 m)	4



# 40' (12.2 m) Wide

	40'/ 12.1 m	50'/ 15.2 m	60'/ 18.2 m	70'/ 21.3 m	80'/ 24.3 m	90'/ 27.4 m	100'/ 30 m	110'/ 33.5 m	120'/ 36.5 m	130'/ 39.6 m	140'/ 42.3 m	150'/ 45.7 m	160'/ 48.7 m	170'/ 51.8 m
<b>40' (12.2 m) Wide Classic Frame</b>														
Corner (F01COR)	4	4	4	4	4	4	4	4	4	4	4	4	4	4
Side Tee w/ Ring (F02STRING)	8	8	10	12	14	16	18	20	22	24	26	28	30	32
8 Way Crown (F048WC)	1	---	---	---	---	---	---	---	---	---	---	---	---	---
6 Way Crown (F056WC)	---	2	2	2	2	2	2	2	2	2	2	2	2	2
6 Way Side Tee w/ Ring (F16WSTRING)	4	6	6	6	6	6	6	6	6	6	6	6	6	6
6 Way Hip Joint (F106WHJ)	4	4	4	4	4	4	4	4	4	4	4	4	4	4
Ridge Crown (F08RC)	---	---	1	2	3	4	5	6	7	8	9	10	11	12
Ridge Support Bracket	---	---	2	4	6	8	10	12	14	16	18	20	22	24
R Pin/Pin & Ball	136	152	172	188	206	224	242	260	278	296	314	332	350	368
40' (12.2 m) Cable	2	2	3	4	5	6	7	8	9	10	11	12	13	14
68" (2.0 m)/78"(2.3 m) Legs	16	18	20	22	24	26	28	30	32	34	36	38	40	42
94" (2.8 m) Tube	16	19	22	25	28	31	34	37	40	43	46	49	52	55
106" (3.2 m) Tube	8	8	8	8	8	8	8	8	8	8	8	8	8	8
144" (4.3 m) Tube	16	16	16	16	16	16	16	16	16	16	16	16	16	16
144" (4.3 m) Rafter Bar	---	---	1	2	3	4	5	6	7	8	9	10	11	12
21'10.5" (6.6 m) Tube	4	6	8	10	12	14	16	18	20	22	24	26	28	30
Ratchet Buckles	16	18	20	22	24	26	28	30	32	34	36	38	40	42
Stake/Anchors	16	18	20	22	24	26	28	30	32	34	36	38	40	42
Base Plates (F03BP)	16	18	20	22	24	26	28	30	32	34	36	38	40	42
Span Length (leg to leg)	10	10	10	10	10	10	10	10	10	10	10	10	10	10
Square Footage/ Square Meters	1600 ft <sup>2</sup> / 148.6 m <sup>2</sup>	2000 ft <sup>2</sup> / 185.8 m <sup>2</sup>	2400 ft <sup>2</sup> / 222.9 m <sup>2</sup>	2800 ft <sup>2</sup> / 260.1 m <sup>2</sup>	3200 ft <sup>2</sup> / 297.2 m <sup>2</sup>	3600 ft <sup>2</sup> / 334.4 m <sup>2</sup>	4000 ft <sup>2</sup> / 371.6 m <sup>2</sup>	4400 ft <sup>2</sup> / 408.7 m <sup>2</sup>	4800 ft <sup>2</sup> / 445.9 m <sup>2</sup>	5200 ft <sup>2</sup> / 483.2 m <sup>2</sup>	5600 ft <sup>2</sup> / 520.2 m <sup>2</sup>	6000 ft <sup>2</sup> / 557.4 m <sup>2</sup>	6400 ft <sup>2</sup> / 594.5 m <sup>2</sup>	6800 ft <sup>2</sup> / 631.7 m <sup>2</sup>



# 40' (12.2 m) Wide

40' (12.2 m) Wide Classic Frame	180' / 54.8 m	190' / 57.9 m	200' / 60.9 m	210' / 64 m	220' / 67 m	230' / 70.1 m	240' / 73.1 m	250' / 76.2 m	260' / 79.2 m	270' / 82.2 m	280' / 85.3 m	290' / 88.3 m	300' / 91.4 m
Corner (F01COR)	4	4	4	4	4	4	4	4	4	4	4	4	4
Side Tee w/ Ring (F02STRING)	34	36	38	40	42	44	46	48	50	52	54	56	58
8 Way Crown (F048WC)	---	---	---	---	---	---	---	---	---	---	---	---	---
6 Way Crown (F056WC)	2	2	2	2	2	2	2	2	2	2	2	2	2
6 Way Side Tee w/ Ring (F16WSTRING)	6	6	6	6	6	6	6	6	6	6	6	6	6
6 Way Hip Joint (F106WHJ)	4	4	4	4	4	4	4	4	4	4	4	4	4
Ridge Crown (F08RC)	13	14	15	16	17	18	19	20	21	22	23	24	25
Ridge Support Bracket	26	28	30	32	34	36	38	40	42	44	46	48	50
R Pin/Fin & Bail	386	404	422	440	458	476	494	512	530	548	566	584	602
40' (12.2 m) Cable	15	16	17	18	19	20	21	22	23	24	25	26	27
68" (2.0 m)/78" (2.3 m) Legs	44	46	48	50	52	54	56	58	60	62	64	66	68
94" (2.8 m) Tube	58	61	64	67	70	73	76	79	82	85	88	91	94
106" (3.2 m) Tube	8	8	8	8	8	8	8	8	8	8	8	8	8
144" (4.3 m) Tube	16	16	16	16	16	16	16	16	16	16	16	16	16
144" (4.3 m) Rafter Bar	13	14	15	16	17	18	19	20	21	22	23	24	25
21'10.5" (6.6 m) Tube	32	34	36	38	40	42	44	46	48	50	52	54	56
Ratchet Buckles	44	46	48	50	52	54	56	58	60	62	64	66	68
Stake/Anchors	44	46	48	50	52	54	56	58	60	62	64	66	68
Base Plates (F03BP)	44	46	48	50	52	54	56	58	60	62	64	66	68
Span Length (leg to leg)	10	10	10	10	10	10	10	10	10	10	10	10	10
Square Footage/ Square Meters	7200 ft <sup>2</sup> / 668.9 m <sup>2</sup>	7600 ft <sup>2</sup> / 706.0 m <sup>2</sup>	8000 ft <sup>2</sup> / 743.2 m <sup>2</sup>	8400 ft <sup>2</sup> / 780.3 m <sup>2</sup>	8800 ft <sup>2</sup> / 817.5 m <sup>2</sup>	9200 ft <sup>2</sup> / 854.7 m <sup>2</sup>	9600 ft <sup>2</sup> / 891.8 m <sup>2</sup>	10000 ft <sup>2</sup> / 929.0 m <sup>2</sup>	10400 ft <sup>2</sup> / 966.1 m <sup>2</sup>	10800 ft <sup>2</sup> / 1003.3 m <sup>2</sup>	11200 ft <sup>2</sup> / 1040.5 m <sup>2</sup>	11600 ft <sup>2</sup> / 1077.6 m <sup>2</sup>	12000 ft <sup>2</sup> / 1114.8 m <sup>2</sup>

# Master Series Frame Tent

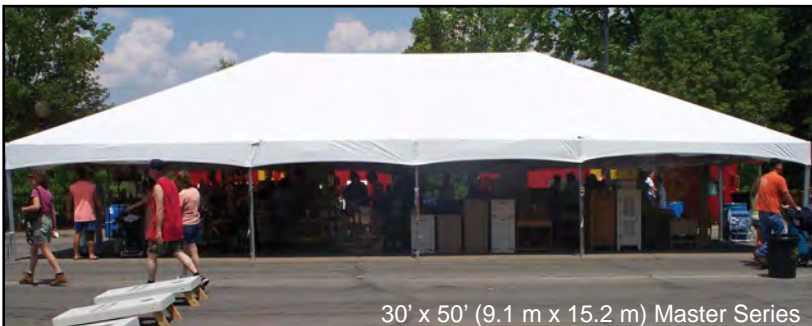


Like most Celina frame tents, the Master Series Frame tent utilizes the West Coast Style frame and fittings for compatibility between tents. The design of the Master Series Frame tent is meant to smooth and tighten the traditional look of frame tents by using a tensioned valance, or catenary curve, as opposed to clips or buckles. This allows the Master Series Frame tent to use less hardware, making for faster and easier installations.



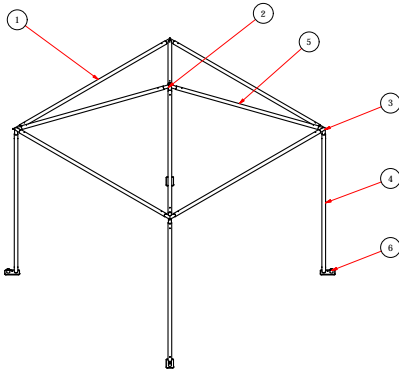
## TENT CONSTRUCTION:

- 16 oz (540 gsm) blockout, flame resistant, mold and mildew resistant vinyl
- The top is attached to the frame using a top tensioned curved valance that is ratcheted to the master series base plates
- All panels are bonded with 1" (25.4 mm) heat sealed overlapped seams
- 5/32" (3.9 mm) Nylon sidewall rope line around perimeter of tent top
- Sidewall rope line is replaceable if ever needed
- Multi-layered reinforcements at crown locations
- 95% of tent top is bonded with **heat sealed** construction
- Stock colors and custom printing available by special order



30' x 50' (9.1 m x 15.2 m) Master Series

## 10' x 10' (3 m x 3 m) Master Series



Standard Pitch = 2.5' (0.7 m)

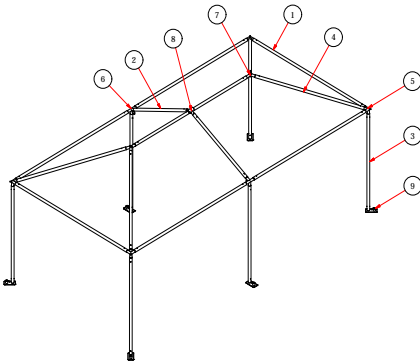
Frame Tubing				
Item	Description	Size	Color	Qty.
5	Hip Rafter	6'10" (2.1 m)	Green	4
1	Spreader	9'4" (2.8 m)	White	4
4	Legs	7'8" (2.3 m)	Black	4

Frame Fittings		
Item	Description	Qty.
3	Corner	4
2	4 Way Crown	1
6	Master Series Base Plates	4
	R Pin/Pin & Bail	28
	1" (25.4 mm) Master Series Ratchet Buckles	4
	2" (50.8 mm) Ratchet Buckles	4
	Stake/Anchors	8

Sidewalls		
	Size	Qty.
	20' (6.1 m)	2
	30' (9.1 m)	---



## 10' x 20' (3 m x 6.1 m) Master Series



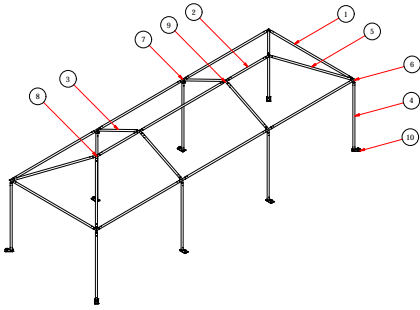
Standard Pitch = 2.5' (0.7 m)

Frame Tubing				
Item	Description	Size	Color	Qty.
1	Spreader	9'4" (2.8 m)	White	7
2	Rafter	4'11" (1.5 m)	Green	2
4	Hip Rafter	6'10" (2.1 m)	Green	4
3	Legs	7'8" (2.3 m)	Black	6

Frame Fittings		
Item	Description	Qty.
5	Corner	4
7	3 Way Crown	2
6	Side Tee w/ Ring	2
8	Adjustable Crown	1
9	Master Series Base Plates	6
	R Pin/Pin & Bail	44
	1" (25.4 mm) Master Series Ratchet Buckles	6
	2" (50.8 mm) Ratchet Buckles	6
	Stake/Anchors	12

Sidewalls		
	Size	Qty.
	20' (6.1 m)	3
	30' (9.1 m)	---

## 10' x 30' (3 m x 9.1 m) Master Series



Standard Pitch = 2.5' (0.7 m)

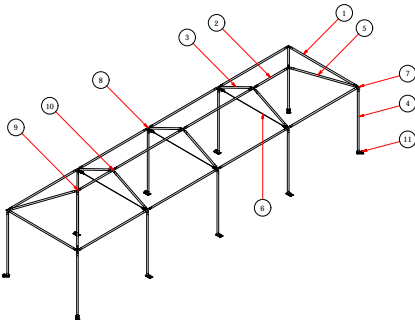
Frame Tubing				
Item	Description	Size	Color	Qty.
1	Spreader	9'4" (2.8 m)	White	9
3	Rafter	4'11" (1.5 m)	Green	4
5	Hip Rafter	6'10" (2.1 m)	Green	4
4	Legs	7'8" (2.3 m)	Black	8
2	Top Spreader	4'4" (1.3 m)	White	2

Frame Fittings		
Item	Description	Qty.
6	Corner	4
8	3 Way Crown	2
7	Side Tee w/ Ring	4
9	Ridge Crown	2
10	Master Series Base Plates	8
	R Pin/Pin & Bail	62
	1" (25.4 mm) Master Series Ratchet Buckles	8
	2" (50.8 mm) Ratchet Buckles	8
	Stake/Anchors	16

Sidewalls	
Size	Qty.
20' (6.1 m)	1
30' (9.1 m)	2



## 10' x 40' (3 m x 12.2 m) Master Series



Standard Pitch = 2.5' (0.7 m)

Frame Tubing				
Item	Description	Size	Color	Qty.
1	Spreader	9'4" (2.8 m)	White	12
3	Rafter	4'11" (1.5 m)	Green	6
5	Hip Rafter	6'10" (2.1 m)	Green	4
4	Legs	7'8" (2.3 m)	Black	10
2	Top Spreader	4'4" (1.3 m)	White	2

Frame Fittings		
Item	Description	Qty.
7	Corner	4
9	3 Way Crown	2
8	Side Tee w/ Ring	6
10	Ridge Crown	3
11	Master Series Base Plates	10
	R Pin/Pin & Bail	78
6	10' (3 m) Cables	3
	1" (25.4 mm) Master Series Ratchet Buckles	10
	2" (50.8 mm) Ratchet Buckles	10
	Stake/Anchors	20

Sidewalls	
Size	Qty.
20' (6.1 m)	5
30' (9.1 m)	---



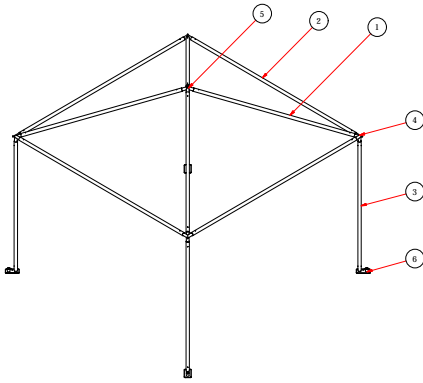
TM

# 10' (3 m) Wide

10' (3 m) Wide Master Series	10' / 3 m	20' / 6.1 m	30' / 9.1 m	40' / 12.1 m	50' / 15.2 m	60' / 18.2 m	70' / 21.3 m	80' / 24.3 m	90' / 27.4 m	100' / 30 m	110' / 33.5 m	120' / 36.5 m	130' / 39.6 m	140' / 42.3 m	150' / 45.7 m
Corner (F01COR)	4	4	4	4	4	4	4	4	4	4	4	4	4	4	4
Side Tee w/ Ring (F02STRING)	---	2	4	6	8	10	12	14	16	18	20	22	24	26	28
4 Way Crown (F064WC)	1	---	---	---	---	---	---	---	---	---	---	---	---	---	---
3 Way Crown (F073WC)	---	2	2	2	2	2	2	2	2	2	2	2	2	2	2
Ridge Crown (F08RC)	---	---	2	3	4	5	6	7	8	9	10	11	12	13	14
Adjustable Crown (F09AC)	---	1	---	---	---	---	---	---	---	---	---	---	---	---	---
R Pin/Pin & Bail	28	44	62	78	94	110	126	142	158	174	190	206	222	238	254
10' (3 m) Cable	---	---	---	3	4	5	6	7	8	9	10	11	12	13	14
78" (2.3 m) Legs	4	6	8	10	12	14	16	18	20	22	24	26	28	30	32
44" (1.3 m) Tube	---	---	2	2	2	2	2	2	2	2	2	2	2	2	2
4'11" (1.5 m) Tube	---	2	4	6	8	10	12	14	16	18	20	22	24	26	28
6'10" (2.1 m) Tube	4	4	4	4	4	4	4	4	4	4	4	4	4	4	4
9'4" (2.8 m) Tube	4	7	9	12	15	18	21	24	27	30	33	36	39	42	45
1" (25.4 mm) Master Series Ratchet Buckles	4	6	8	10	12	14	16	18	20	22	24	26	28	30	32
2" (50.8 mm) Ratchet Buckles	4	6	8	10	12	14	16	18	20	22	24	26	28	30	32
Stake / Anchors	8	12	16	20	24	28	32	36	40	44	48	52	56	60	64
Master Series Base Plates (F39MB)	4	6	8	10	12	14	16	18	20	22	24	26	28	30	32
Span Length (leg to leg)	10	10	10	10	10	10	10	10	10	10	10	10	10	10	10
Square Footage/ Square Meters	100 ft <sup>2</sup> / 9.2 m <sup>2</sup>	200 ft <sup>2</sup> / 18.5 m <sup>2</sup>	300 ft <sup>2</sup> / 27.8 m <sup>2</sup>	400 ft <sup>2</sup> / 37.1 m <sup>2</sup>	500 ft <sup>2</sup> / 46.4 m <sup>2</sup>	600 ft <sup>2</sup> / 55.7 m <sup>2</sup>	700 ft <sup>2</sup> / 65.0 m <sup>2</sup>	800 ft <sup>2</sup> / 74.3 m <sup>2</sup>	900 ft <sup>2</sup> / 83.6 m <sup>2</sup>	1000 ft <sup>2</sup> / 92.9 m <sup>2</sup>	1100 ft <sup>2</sup> / 102.1 m <sup>2</sup>	1200 ft <sup>2</sup> / 111.4 m <sup>2</sup>	1300 ft <sup>2</sup> / 120.7 m <sup>2</sup>	1400 ft <sup>2</sup> / 130.0 m <sup>2</sup>	1500 ft <sup>2</sup> / 139.3 m <sup>2</sup>



## 12' x 12' (3.7 m x 3.7 m) Master Series



Standard Pitch = 3' (0.9 m)

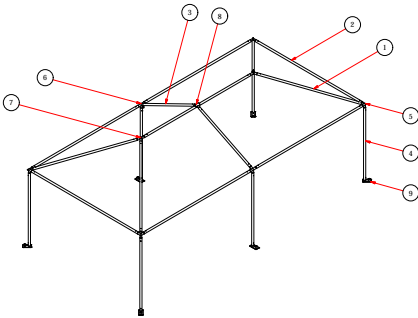
Frame Tubing				
Item	Description	Size	Color	Qty.
2	Spreader	11'4" (3.4 m)	White	4
1	Hip Rafter	8'4" (2.5 m)	White	4
3	Legs	7'8" (2.3 m)	Black	4

Frame Fittings		
Item	Description	Qty.
4	Corner	4
5	4 Way Crown	1
6	Master Series Base Plates	4
	R Pin/Pin & Bail	28
	1" (25.4 mm) Master Series Ratchet Buckles	4
	2" (50.8 mm) Ratchet Buckles	4
	Stake/Anchors	8

Sidewalls Available



## 12' x 24' (3.7 m x 7.3 m) Master Series



Standard Pitch = 3' (0.9 m)

Frame Tubing				
Item	Description	Size	Color	Qty.
2	Spreader	11'4" (3.4 m)	White	7
1	Hip Rafter	8'4" (2.5 m)	White	4
3	Rafter	6'1" (1.8 m)	Red	2
4	Legs	7'8" (2.3 m)	Black	6

Frame Fittings		
Item	Description	Qty.
5	Corner	4
7	3 Way Crown	2
6	Side Tee w/ Ring	2
8	Adjustable Crown	1
9	Master Series Base Plates	6
	R Pin/Pin & Bail	44
	1" (25.4 mm) Master Series Ratchet Buckles	6
	2" (50.8 mm) Ratchet Buckles	6
	Stake/Anchors	12

Sidewalls Available

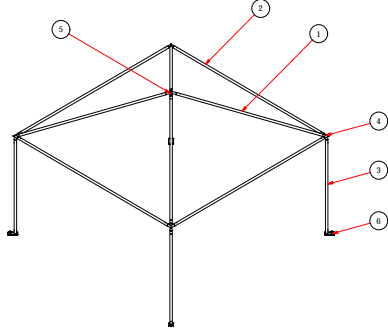
## 12' (3.7 m) Wide Master Series Frame

12' (3.7 m) Wide Master Series	12'/ 3.6 m	24'/ 7.3 m	36'/ 10.9 m	48'/ 14.6 m	60'/ 18.2 m
Corner (F01COR)	4	4	4	4	4
Side Tee w/ Ring (F02STRING)	---	2	4	6	8
4 Way Crown (F064WC)	1	---	---	---	---
3 Way Crown (F073WC)	---	2	2	2	2
Ridge Crown (F08RC)	---	---	2	3	4
Adjustable Crown (F09AC)	---	1	---	---	---
R Pin/Pin & Bail	28	44	56	72	110
12' (3.7 m) Cable	---	---	1	3	5
7'8" (2.3 m) Legs	4	6	6	8	10
3'4" (1.0 m) Tube	---	---	---	---	---
5'4" (1.6 m) Tube	---	2	2	2	2
6'1" (1.8 m) Tube	---	2	4	6	8
8'4" (2.5 m) Tube	4	4	4	4	4
9'4" (2.8 m) Tube	---	---	---	---	---
11'4" (3.4 m) Tube	4	6	9	12	15
1" (25.4 mm) Master Series Ratchet Buckles	4	6	6	8	10
2" (50.8 mm) Ratchet Buckles	4	6	6	8	10
Stakes/Anchors	8	12	12	16	18
Master Series Base Plates (F39MB)	4	6	6	8	10
Span Length (leg to leg)	12	12	12	12	12
Square Footage/ Square Meters	144 ft <sup>2</sup> / 13.3 m <sup>2</sup>	288 ft <sup>2</sup> / 26.7 m <sup>2</sup>	432 ft <sup>2</sup> / 40.1 m <sup>2</sup>	576 ft <sup>2</sup> / 53.5 m <sup>2</sup>	720 ft <sup>2</sup> / 66.8 m <sup>2</sup>

## 15' (4.6 m) Wide Master Series Frame

15' (3.7 m) Wide Master Series	15'/ 4.5 m	30'/ 9.1 m	45'/ 13.7 m	60'/ 18.2 m	75'/ 22.8 m	90'/ 27.4 m
Corner (F01COR)	4	4	4	4	4	4
Side Tee w/ Ring (F02STRING)	---	2	4	6	8	10
4 Way Crown (F064WC)	1	---	---	---	---	---
3 Way Crown (F073WC)	---	2	2	2	2	2
Ridge Crown (F08RC)	---	---	2	3	4	5
Adjustable Crown (F09AC)	---	1	---	---	---	---
R Pin/Pin & Bail	28	44	62	78	94	110
15' (4.6 m) Cable	---	---	2	3	4	5
7'8" (2.3 m) Legs	4	6	8	10	12	14
4'4" (1.3 m) Tube	---	---	---	---	---	---
6'10" (2.1 m) Tube	---	---	2	2	2	2
7'8" (2.3 m) Tube	---	2	4	6	8	10
9'4" (2.8 m) Tube	---	---	---	---	---	---
10'6" (3.2 m) Tube	4	4	4	4	4	4
14'4" (4.3 m) Tube	4	7	9	12	15	18
1" (25.4 mm) Master Series Ratchet Buckles	4	6	8	10	12	14
2" (50.8 mm) Ratchet Buckles	4	6	8	10	12	14
Stake/Anchors	8	12	16	20	24	28
Master Series Base Plates (F39MB)	4	6	8	10	12	14
Span Length (leg to leg)	15	15	15	15	15	15
Square Footage/ Square Meters	225 ft <sup>2</sup> / 20.9 m <sup>2</sup>	450 ft <sup>2</sup> / 41.8 m <sup>2</sup>	675 ft <sup>2</sup> / 62.7 m <sup>2</sup>	900 ft <sup>2</sup> / 83.6 m <sup>2</sup>	1125 ft <sup>2</sup> / 104.5 m <sup>2</sup>	1350 ft <sup>2</sup> / 125.4 m <sup>2</sup>

## 15' x 15' (4.6 m x 4.6 m) Master Series



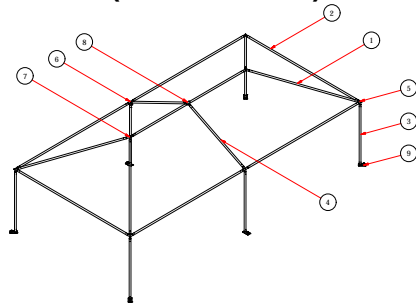
Standard Pitch = 3'9" (1.1 m)

Frame Tubing				
Item	Description	Size	Color	Qty.
2	Spreader	14'4" (4.3 m)	Red	4
1	Hip Rafter	10'6" (3.2 m)	Green	4
3	Legs	7'8" (2.3 m)	Black	4

Frame Fittings			Sidewalls	
Item	Description	Qty.	Size	Qty.
4	Corner	4	20' (6.1 m)	2
5	4 Way Crown	1	30' (9.1 m)	---
6	Master Series Base Plates	4		
	R Pin/Pin & Bail	28		
	1" (25.4 mm) Master Series Ratchet Buckles	4		
	2" (50.8 mm) Ratchet Buckles	4		
	Stake/Anchors	8		



## 15' x 30' (4.6 m x 9.1 m) Master Series



Standard Pitch = 3'9" (1.1 m)

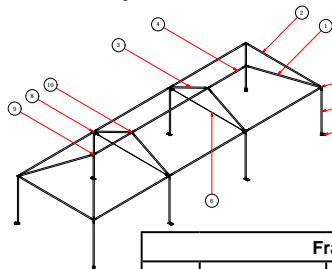
Frame Fittings		
Item	Description	Qty.
5	Corner	4
7	3 Way Crown	2
6	Side Tee w/ Ring	2
8	Adjustable Crown	1
9	Master Series Base Plates	6
	R Pin/Pin & Bail	44
	Master Series Ratchet Buckles	6
	2" (50.8 mm) Ratchet Buckles	6
	Stake / Anchors	12

Sidewalls	
Size	Qty.
20' (6.1 m)	---
30' (9.1 m)	3

Frame Tubing				
Item	Description	Size	Color	Qty.
2	Spreader	14'4" (4.3 m)	Red	7
1	Hip Rafter	10'6" (3.2 m)	Green	4
4	Rafter	7'8" (2.3 m)	Black	2
3	Legs	7'8" (2.3 m)	Black	6



## 15' x 45' (4.6 m x 13.7 m) Master Series



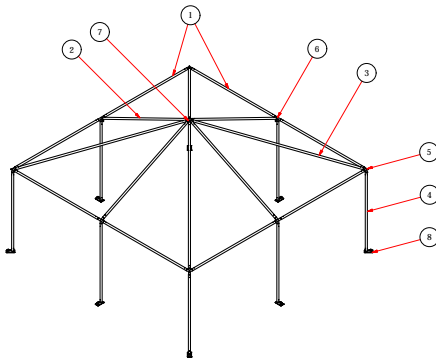
Standard Pitch = 3'9" (1.1 m)

Sidewalls	
Size	Qty.
20' (6.1 m)	---
30' (9.1 m)	4

Frame Fittings		
Item	Description	Qty.
7	Corner	4
9	3 Way Crown	2
8	Side Tee w/ Ring	4
10	Ridge Crown	2
11	Master Series Base Plates	8
6	15' (4.6 m) Cable	2
	R Pin/Pin & Bail	62
	1" (25.4 mm) Master Series Ratchet Buckles	8
	2" (50.8 mm) Ratchet Buckles	8
	Stake/Anchors	16

Frame Tubing				
Item	Description	Size	Color	Qty.
2	Spreader	14'4" (4.3 m)	Red	9
4	Top Spreader	6'10" (2.1 m)	Green	2
1	Hip Rafter	10'6" (3.2 m)	Green	4
5	Rafter	7'8" (2.3 m)	Black	4
3	Legs	7'8" (2.3 m)	Black	8

## 20' x 20' (6.1 m x 6.1 m) Master Series



Standard Pitch = 5' (1.5 m)

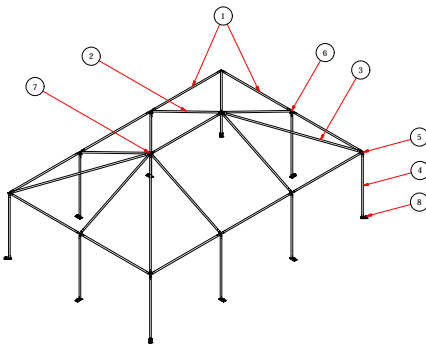
Frame Tubing				
Item	Description	Size	Color	Qty.
3	Hip Rafter	14'4" (4.3 m)	Red	4
2	Rafter	10'6" (3.2 m)	Green	4
1	Spreader	9'4" (2.8 m)	White	8
4	Legs	7'8" (2.3 m)	Black	8

Frame Fittings		
Item	Description	Qty.
5	Corner	4
6	Side Tee w/ Ring	4
7	8 Way Crown	1
8	Master Series Base Plates	8
	R Pin/Pin & Bail	56
	1" (25.4 mm) Master Series Ratchet Buckles	8
	2" (50.8 mm) Ratchet Buckles	8
	Stake/Anchors	16

Sidewalls	
Size	Qty.
20' (6.1 m)	4
30' (9.1 m)	---



## 20' x 30' (6.1 m x 9.1 m) Master Series



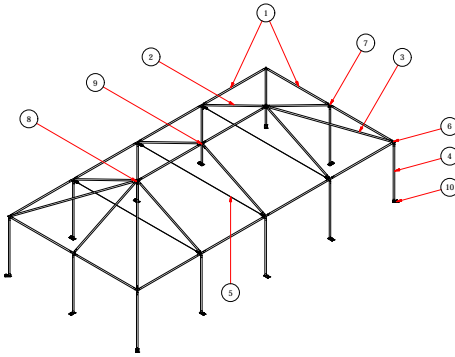
Standard Pitch = 5' (1.5 m)

Frame Tubing				
Item	Description	Size	Color	Qty.
3	Hip Rafter	14'4" (4.3 m)	Red	4
2	Rafter	10'6" (3.2 m)	Green	6
1	Spreader	9'4" (2.8 m)	White	11
4	Legs	7'8" (2.3 m)	Black	10

Frame Fittings		
Item	Description	Qty.
5	Corner	4
6	Side Tee w/ Ring	6
7	6 Way Crown	2
8	Master Series Base Plates	10
	R Pin/Pin & Bail	72
	1" (25.4 mm) Master Series Ratchet Buckles	10
	2" (50.8 mm) Ratchet Buckles	10
	Stake/Anchors	20

Sidewalls	
Size	Qty.
20' (6.1 m)	2
30' (9.1 m)	2

## 20' x 40' (6.1 m x 12.2 m) Master Series



Standard Pitch = 5' (1.5 m)

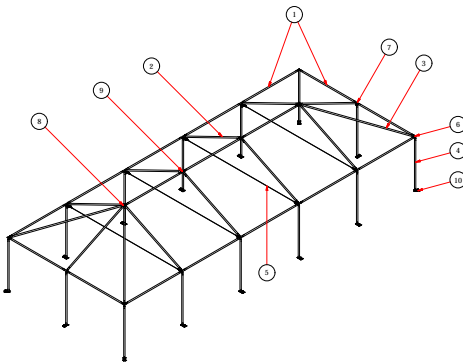
Frame Tubing				
Item	Description	Size	Color	Qty.
3	Hip Rafter	14'4" (4.3 m)	Red	4
2	Rafter	10'6" (3.2 m)	Green	8
1	Spreader	9'4" (2.8 m)	White	14
4	Legs	7'8" (2.3 m)	Black	12

Frame Fittings		
Item	Description	Qty.
6	Corner	4
7	Side Tee w/ Ring	8
8	6 Way Crown	2
9	Ridge Crown	1
10	Master Series Base Plates	12
5	20' (6.1 m) Cable	3
	R Pin/Pin & Bail	88
	1" (25.4 mm) Master Series Ratchet Buckles	12
	2" (50.8 mm) Ratchet Buckles	12
	Stake/Anchors	24

Sidewalls	
Size	Qty.
20' (6.1 m)	6
30' (9.1 m)	---



## 20' x 50' (6.1 m x 15.2 m) Master Series



Standard Pitch = 5' (1.5 m)

Frame Tubing				
Item	Description	Size	Color	Qty.
3	Hip Rafter	14'4" (4.3 m)	Red	4
2	Rafter	10'6" (3.2 m)	Green	10
1	Spreader	9'4" (2.8 m)	White	17
4	Legs	7'8" (2.3 m)	Black	14

Frame Fittings		
Item	Description	Qty.
6	Corner	4
7	Side Tee w/ Ring	10
8	6 Way Crown	2
9	Ridge Crown	2
10	Master Series Base Plates	14
5	20' (6 m) Cable	4
	R Pin/Pin & Bail	104
	1" (25.4 mm) Master Series Ratchet Buckles	14
	2" (50.8 mm) Ratchet Buckles	14
	Stake / Anchors	28

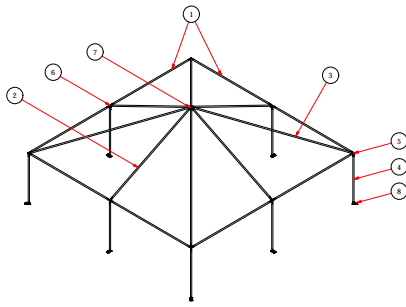
Sidewalls	
Size	Qty.
20' (6.1 m)	4
30' (9.1 m)	2



# 20' (6.1 m) Wide

20' (6.1 m) Wide Master Series	20' / 6.1 m	30' / 9.1 m	40' / 12.1 m	50' / 15.2 m	60' / 18.2 m	70' / 21.3 m	80' / 24.3 m	90' / 27.4 m	100' / 30 m	110' / 33.5 m	120' / 36.5 m	130' / 39.6 m	140' / 42.3 m	150' / 45.7 m
	4	4	4	4	4	4	4	4	4	4	4	4	4	4
Corner (F01COR)	4	6	8	10	12	14	16	18	20	22	24	26	28	30
Slide Tee w/ Ring (F02STRING)	4	6	8	10	12	14	16	18	20	22	24	26	28	30
8 Way Crown (F048WC)	1	---	---	---	---	---	---	---	---	---	---	---	---	---
6 Way Crown (F056WC)	---	2	2	2	2	2	2	2	2	2	2	2	2	2
Ridge Crown (F08RC)	---	---	1	2	3	4	5	6	7	8	9	10	11	12
R Pin/Pin & Bail	56	72	88	104	120	136	152	168	184	200	216	232	248	264
20' (6.1 m) Cable	---	---	3	4	5	6	7	8	9	10	11	12	13	14
7.8" (2.3 m) Legs	8	10	12	14	16	18	20	22	24	26	28	30	32	34
9.4" (2.8 m) Tube	8	11	14	17	20	23	26	29	32	35	38	41	44	47
10.6" (3.2 m) Tube	4	6	8	10	12	14	16	18	20	22	24	24	26	28
14.4" (4.3 m) Tube	4	4	4	4	4	4	4	4	4	4	4	4	4	4
1" (25.4 mm) Master Series Ratchet Buckles	8	10	12	14	16	18	20	22	24	26	28	30	32	34
2" (50.8 mm) Ratchet Buckles	8	10	12	14	16	18	20	22	24	26	28	30	32	34
Stake / Anchors	16	20	24	28	32	36	40	44	48	52	56	60	64	68
Master Series Base Plates (F3QNB)	8	10	12	14	16	18	20	22	24	26	28	30	32	34
Span Length (leg to leg)	10	10	10	10	10	10	10	10	10	10	10	10	10	10
Square Footage/ Square Meters	400 ft <sup>2</sup> / 37.1 m <sup>2</sup>	600 ft <sup>2</sup> / 55.7 m <sup>2</sup>	800 ft <sup>2</sup> / 74.3 m <sup>2</sup>	1000 ft <sup>2</sup> / 92.9 m <sup>2</sup>	1200 ft <sup>2</sup> / 111.4 m <sup>2</sup>	1400 ft <sup>2</sup> / 130.0 m <sup>2</sup>	1600 ft <sup>2</sup> / 148.6 m <sup>2</sup>	1800 ft <sup>2</sup> / 167.2 m <sup>2</sup>	2000 ft <sup>2</sup> / 185.8 m <sup>2</sup>	2200 ft <sup>2</sup> / 204.3 m <sup>2</sup>	2400 ft <sup>2</sup> / 222.9 m <sup>2</sup>	2600 ft <sup>2</sup> / 241.5 m <sup>2</sup>	2800 ft <sup>2</sup> / 260.1 m <sup>2</sup>	3000 ft <sup>2</sup> / 278.7 m <sup>2</sup>

## 30' x 30' (9.1 m x 9.1 m) Master Series



Standard Pitch = 8' (2.4 m)

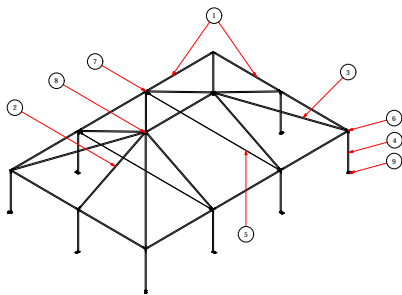
Frame Tubing				
Item	Description	Size	Color	Qty.
3	Hip Rafter	21'10.5" (6.6 m)	Red	4
2	Rafter	16'1" (4.9 m)	Green	4
1	Spreader	14'4" (4.3 m)	Red	8
4	Legs	7'8" (2.3 m)	Black	8

Frame Fittings		
Item	Description	Qty.
5	Corner	4
6	Side Tee w/ Ring	4
7	8 Way Crown	1
8	Master Series Base Plates	8
	R Pin/Pin & Bail	56
	1" (25.4 mm) Master Series Ratchet Buckles	8
	2" (50.8 mm) Ratchet Buckles	8
	Stake/Anchors	16

Sidewalls	
Size	Qty.
20' (6.1 m)	---
30' (9.1 m)	4



## 30' x 45' (9.1 m x 13.7 m) Master Series



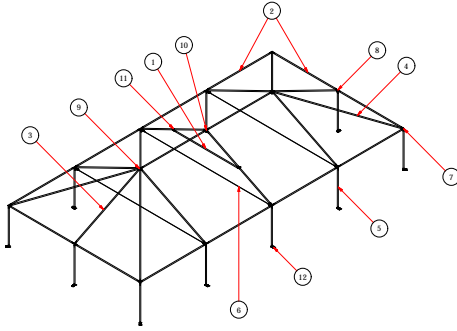
Standard Pitch = 8' (2.4 m)

Frame Tubing				
Item	Description	Size	Color	Qty.
3	Hip Rafter	21'10.5" (6.6 m)	Red	4
2	Rafter	16'1" (4.9 m)	Green	6
1	Spreader	14'4" (4.3 m)	Red	11
4	Legs	7'8" (2.3 m)	Black	10

Frame Fittings		
Item	Description	Qty.
6	Corner	4
7	Side Tee w/ Ring	6
8	6 Way Crown	2
9	Master Series Base Plates	10
5	30' (9.1 m) Cable	2
	R Pin/Pin & Bail	72
	1" (25.4 mm) Master Series Ratchet Buckles	10
	2" (50.8 mm) Ratchet Buckles	10
	Stake/Anchors	20

Sidewalls	
Size	Qty.
20' (6.1 m)	---
30' (9.1 m)	5

## \*30' x 60' (9.1 m x 18.3 m) 4 PC Master Series



Standard Pitch = 8' (2.4 m)

Frame Tubing				
Item	Description	Size	Color	Qty.
4	Hip Rafter	21'10.5" (6.6 m)	Red	4
3	Rafter	16'1" (4.9 m)	Green	8
1	Rafter Bar	14'4" (4.3 m)	Red	1
2	Spreader	14'4" (4.3 m)	Red	14
5	Legs	7'8" (2.3 m)	Black	12

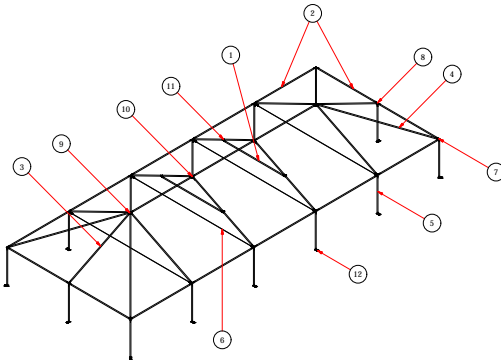
Frame Fittings		
Item	Description	Qty.
7	Corner	4
8	Side Tee w/ Ring	8
9	6 Way Crown	2
10	Ridge Crown	1
12	Master Series Base Plates	12
	R Pin/Pin & Bail	88
11	Ridge Support Bracket	2
6	30' (9.1 m) Cable	3
	1" (25.4 mm) Master Series Ratchet Buckles	12
	2" (50.8 mm) Ratchet Buckles	12
	Stake/Anchors	24

Sidewalls	
Size	Qty.
20' (6.1 m)	---
30' (9.1 m)	6

\*30' x 60' (9.1 m x 18.3 m) 3 PC Master Series Frame Tent also available, pieces may vary between tents



## 30' x 75' (9.1 m x 22.9 m) 5 PC Master Series



Standard Pitch = 8' (2.4 m)

Frame Tubing				
Item	Description	Size	Color	Qty.
4	Hip Rafter	21'10.5" (6.6 m)	Red	4
3	Rafter	16'1" (4.9 m)	Green	10
1	Rafter Bar	14'4" (4.3 m)	Red	2
2	Spreader	14'4" (4.3 m)	Red	17
5	Legs	7'8" (2.3 m)	Black	14

Frame Fittings		
Item	Description	Qty.
7	Corner	4
8	Side Tee w/ Ring	10
9	6 Way Crown	2
10	Ridge Crown	2
12	Base Plates	14
	R Pin/Pin & Bail	108
11	Ridge Support Bracket	4
6	30'(9.1 m) Cable	4
	1" (25.4 mm) Master Series Ratchet Buckles	14
	2" (50.8 mm) Ratchet Buckles	14
	Stake/Anchors	28

Sidewalls	
Size	Qty.
20' (6.1 m)	---
30' (9.1 m)	7

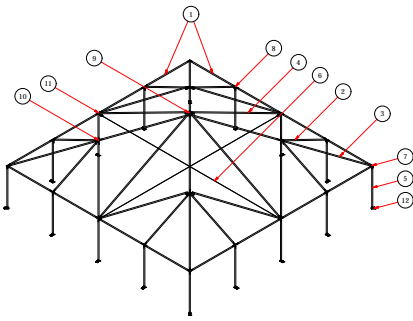




## 30' (9.1 m) Wide

	30' / 9.1 m	45' / 13.7 m	60' / 18.2 m	75' / 22.8 m	90' / 27.4 m	105' / 32 m	120' / 36.5 m	135' / 41.1 m
<b>30' (9.1 m) Wide Master Series</b>								
Corner (F01COR)	4	4	4	4	4	4	4	4
Side Tee w/ Ring (F02STRING)	4	6	8	10	12	14	16	18
8 Way Crown (F048WC)	1	---	---	---	---	---	---	---
6 Way Crown (F056WC)	---	2	2	2	2	2	2	2
Ridge Crown (F08RC)	---	---	1	2	3	4	5	6
Ridge Support Bracket	---	---	2	4	6	8	10	12
R Pin/Pin & Bail	56	72	88	108	120	144	162	180
30' (9.1 m) Cable	---	2	3	4	5	6	7	8
7'8" (2.3 m) Legs	8	10	12	14	16	18	20	22
9'4" (2.8 m) Tube	---	---	---	---	---	---	---	---
14'4" (4.3 m) Tube	8	11	14	17	20	23	26	29
16'1" (4.9 m) Tube	4	6	8	10	12	14	16	18
14'4" (4.3 m) Rafter Bar	---	---	1	2	3	4	5	6
2'1'0.5" (6.6 m) Tube	4	4	4	4	4	4	4	4
1" (25.4 mm) Master Series Ratchet Buckles	8	10	12	14	16	18	20	22
2" (50.8 mm) Ratchet Buckles	8	10	12	14	16	18	20	22
Stake/Anchors	16	20	24	28	32	36	40	44
Master Series Base Plates (F39MB)	8	10	12	14	16	18	20	22
Span Length (leg to leg)	15	15	15	15	15	15	15	15
Square Footage/ Square Meters	900 ft <sup>2</sup> / 83.6 m <sup>2</sup>	1350 ft <sup>2</sup> / 125.4 m <sup>2</sup>	1800 ft <sup>2</sup> / 167.2 m <sup>2</sup>	2250 ft <sup>2</sup> / 209.0 m <sup>2</sup>	2700 ft <sup>2</sup> / 250.8 m <sup>2</sup>	3150 ft <sup>2</sup> / 292.6 m <sup>2</sup>	3600 ft <sup>2</sup> / 334.4 m <sup>2</sup>	4050 ft <sup>2</sup> / 376.2 m <sup>2</sup>

## 40' x 40' (12.2 m x 12.2 m) 2 PC Master Series



Standard Pitch = 10' (3.0 m)

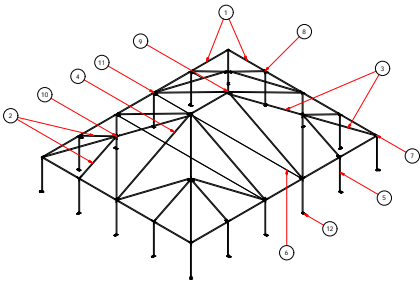
Frame Tubing				
Item	Description	Size	Color	Qty.
4	Rafter	21'10.5" (6.6 m)	Red	4
3	Hip Rafter	14'4" (4.3 m)	Red	16
2	Corner Rafter	10'6" (3.2 m)	Green	8
1	Spreader	9'4" (2.8 m)	White	16
5	Legs	7'8" (2.3 m)	Black	16

Frame Fittings		
Item	Description	Qty.
7	Corner	4
8	Side Tee w/ Ring	8
9	8 Way Crown	1
12	Master Series Base Plates	16
	R Pin/Pin & Bail	136
11	6 Way Side Tee w/ Ring	4
10	6 Way Hip Joint	4
6	40' (12.2 m) Cable	2
	1" (25.4 mm) Master Series Ratchet Buckles	16
	2" (50.8 mm) Ratchet Buckles	16
	Stake/Anchors	32

Sidewalls	
Size	Qty.
20' (6.1 m)	8
30' (9.1 m)	---



## 40' x 50' (12.2 m x 15.2 m) 3 PC Master Series Frame



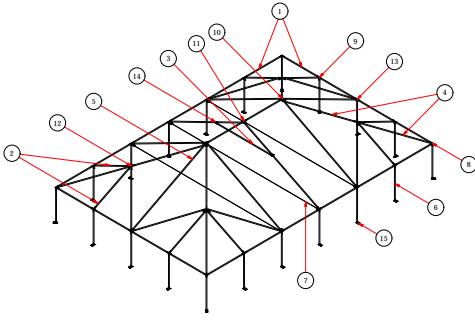
Standard Pitch = 10' (3.0 m)

Frame Tubing				
Item	Description	Size	Color	Qty.
4	Rafter	21'10.5" (6.6 m)	Red	6
3	Hip Rafter	14'4" (4.3 m)	Red	16
2	Corner Rafter	10'6" (3.2 m)	Green	8
1	Spreader	9'4" (2.8 m)	White	19
5	Legs	7'8" (2.3 m)	Black	18

Frame Fittings		
Item	Description	Qty.
7	Corner	4
8	Side Tee w/ Ring	8
9	6 Way Crown	2
12	Master Series Base Plates	18
	R Pin (Pin & Bail)	152
11	6 Way Side Tee w/ Ring	6
10	6 Way Hip Joint	4
6	40' (12.2 m) Cable	2
	1" (25.4 mm) Master Series Ratchet Buckles	18
	2" (50.8 mm) Ratchet Buckles	18
	Stake/Anchors	36

Sidewalls	
Size	Qty.
20' (6.1 m)	6
30' (9.1 m)	2

## 40' x 60' (12.2 m x 18.3 m) 3 PC Master Series



Standard Pitch = 10' (3.0 m)

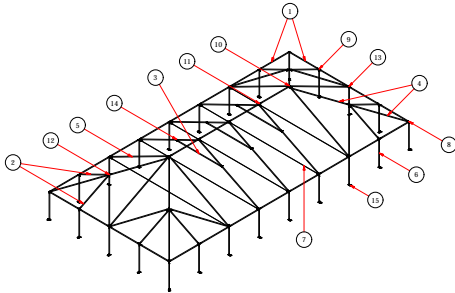
Frame Tubing				
Item	Description	Size	Color	Qty.
5	Rafter	21'10.5" (6.6 m)	Red	8
4	Hip Rafter	14'4" (4.3 m)	Red	17
3	Rafter Bar	14'4" (4.3 m)	Red	1
2	Corner Rafter	10'6" (3.2 m)	Green	8
1	Spreader	9'4" (2.8 m)	White	22
6	Legs	7'8" (2.3 m)	Black	20

Frame Fittings		
Item	Description	Qty.
8	Corner	4
9	Side Tee w/ Ring	10
10	6 Way Crown	2
15	Master Series Base Plates	20
	R Pin/Pin & Bail	170
13	6 Way Side Tee w/ Ring	6
12	6 Way Hip Joint	4
11	Ridge Crown	1
14	Ridge Support Bracket	2
7	40' (12.2 m) Cable	3
	1" (25.4 mm) Master Series Ratchet Buckles	20
	2" (50.8 mm) Ratchet Buckles	20
	Stake/Anchors	40

Sidewalls	
Size	Qty.
20' (6.1 m)	4
30' (9.1 m)	4



## 40' x 80' (12.2 m x 24.4 m) 4 PC Master Series



Standard Pitch = 10' (3.0 m)

Frame Tubing				
Item	Description	Size	Color	Qty.
5	Rafter	21'10.5" (6.6 m)	Red	12
4	Hip Rafter	14'4" (4.3 m)	Red	16
3	Rafter Bar	14'4" (4.3 m)	Red	3
2	Corner Rafter	10'6" (3.2 m)	Green	8
1	Spreader	9'4" (2.8 m)	White	28
6	Legs	7'8" (2.3 m)	Black	24

Frame Fittings		
Item	Description	Qty.
8	Corner	4
9	Side Tee w/ Ring	14
10	6 Way Crown	2
15	Master Series Base Plates	24
	R Pin/Pin & Bail	206
13	6 Way Side Tee w/ Ring	6
12	6 Way Hip Joint	4
11	Ridge Crown	3
14	Ridge Support Bracket	6
7	40' (12.2 m) Cable	5
	1" (25.4 mm) Master Series Ratchet Buckles	24
	2" (50.8 mm) Ratchet Buckles	24
	Stake/Anchors	48

Sidewalls	
Size	Qty.
20' (6.1 m)	6
30' (9.1 m)	4



**MASTER SERIES**

# 40' (12.2 m) Wide

40' (12.2 m) Wide Master Series	40'/ 12.1 m	50'/ 15.2 m	60'/ 18.2 m	70'/ 21.3 m	80'/ 24.3 m	90'/ 27.4 m	100'/ 30 m	110'/ 33.5 m	120'/ 36.5 m	130'/ 39.6 m	140'/ 42.3 m	150'/ 45.7 m	160'/ 48.7 m	170'/ 51.8 m
Corner (F01COR)	4	4	4	4	4	4	4	4	4	4	4	4	4	4
Side Tee w/ Ring (F02STRING)	8	8	10	12	14	16	18	20	22	24	26	28	30	32
8 Way Crown (F048WC)	1	---	---	---	---	---	---	---	---	---	---	---	---	---
6 Way Crown (F056WC)	---	2	2	2	2	2	2	2	2	2	2	2	2	2
6 Way Side Tee w/ Ring (F16WSTRING)	4	6	6	6	6	6	6	6	6	6	6	6	6	6
6 Way Hip Joint (F106WHJ)	4	4	4	4	4	4	4	4	4	4	4	4	4	4
Ridge Crown (F08RC)	---	---	1	2	3	4	5	6	7	8	9	10	11	12
Ridge Support Bracket	---	---	2	4	6	8	10	12	14	16	18	20	22	24
R Pin/Pin & Ball	136	152	172	188	206	224	242	260	278	296	314	332	350	368
40' (12.2 m) Cable	2	2	3	4	5	6	7	8	9	10	11	12	13	14
78" (2.3 m) Legs	16	18	20	22	24	26	28	30	32	34	36	38	40	42
9.4" (2.8 m) Tube	16	19	22	25	28	31	34	37	40	43	46	49	52	55
10.6" (3.2 m) Tube	8	8	8	8	8	8	8	8	8	8	8	8	8	8
14.4" (4.3 m) Tube	16	16	16	16	16	16	16	16	16	16	16	16	16	16
14.4" (4.3 m) Rafter Bar	---	---	1	2	3	4	5	6	7	8	9	10	11	12
21"10.5" (6.6 m) Tube	4	6	8	10	12	14	16	18	20	22	24	26	28	30
1" (25.4 mm) Master Series Ratchet Buckles	16	18	20	22	24	26	28	30	32	34	36	38	40	42
2" (50.8 mm) Ratchet Buckles	16	18	20	22	24	26	28	30	32	34	36	38	40	42
Stake / Anchors	32	36	40	44	48	52	56	60	64	68	72	76	80	84
Master Series Base Plates (F39MB)	16	18	20	22	24	26	28	30	32	34	36	38	40	42
Span Length (leg to leg)	10	10	10	10	10	10	10	10	10	10	10	10	10	10
Square Footage/	1600 ft <sup>2</sup> / 148.6 m <sup>2</sup>	2000 ft <sup>2</sup> / 185.8 m <sup>2</sup>	2400 ft <sup>2</sup> / 222.9 m <sup>2</sup>	2800 ft <sup>2</sup> / 260.1 m <sup>2</sup>	3200 ft <sup>2</sup> / 297.2 m <sup>2</sup>	3600 ft <sup>2</sup> / 334.4 m <sup>2</sup>	4000 ft <sup>2</sup> / 371.6 m <sup>2</sup>	4400 ft <sup>2</sup> / 408.7 m <sup>2</sup>	4800 ft <sup>2</sup> / 445.8 m <sup>2</sup>	5200 ft <sup>2</sup> / 483.0 m <sup>2</sup>	5600 ft <sup>2</sup> / 520.2 m <sup>2</sup>	6000 ft <sup>2</sup> / 557.4 m <sup>2</sup>	6400 ft <sup>2</sup> / 594.5 m <sup>2</sup>	6800 ft <sup>2</sup> / 631.7 m <sup>2</sup>



## 40' (12.2 m) Wide

40' (12.2 m) Wide Master Series	180' / 54.8 m	190' / 57.9 m	200' / 60.9 m	210' / 64 m	220' / 67 m	230' / 70.1 m	240' / 73.1 m	250' / 76.2 m	260' / 79.2 m	270' / 82.2 m	280' / 85.3 m	290' / 88.3 m	300' / 91.4 m
Corner (F01COR)	4	4	4	4	4	4	4	4	4	4	4	4	4
Slide Tee w/ Ring (F02STRING)	34	36	38	40	42	44	46	48	50	52	54	56	58
8 Way Crown (F048WC)	---	---	---	---	---	---	---	---	---	---	---	---	---
6 Way Crown (F056WC)	2	2	2	2	2	2	2	2	2	2	2	2	2
6 Way / Side Tee w/ Ring (F116WSTRING)	6	6	6	6	6	6	6	6	6	6	6	6	6
6 Way Hip Joint (F106WHJ)	4	4	4	4	4	4	4	4	4	4	4	4	4
Ridge Crown (F08RC)	13	14	15	16	17	18	19	20	21	22	23	24	25
Ridge Support Bracket	26	28	30	32	34	36	38	40	42	44	46	48	50
R Pin/Pin & Bail	386	404	422	440	458	476	494	512	530	548	566	584	602
40' (12.2 m) Cable	15	16	17	18	19	20	21	22	23	24	25	26	27
78" (2.3 m) Legs	44	46	48	50	52	54	56	58	60	62	64	66	68
9.4" (2.8 m) Tube	58	61	64	67	70	73	76	79	82	85	88	91	94
106" (3.2 m) Tube	8	8	8	8	8	8	8	8	8	8	8	8	8
144" (4.3 m) Tube	16	16	16	16	16	16	16	16	16	16	16	16	16
144" (4.3 m) Rafter Bar	13	14	15	16	17	18	19	20	21	22	23	24	25
2110.5" (6.6 m) Tube	32	34	36	38	40	42	44	46	48	50	52	54	56
1" (25.4 mm) Master Series Ratchet Buckles	44	46	48	50	52	54	56	58	60	62	64	66	68
2" (50.8 mm) Ratchet Buckles	44	46	48	50	52	54	56	58	60	62	64	66	68
Stake / Anchors	88	92	96	100	104	108	112	116	120	124	130	132	136
Master Series Base Plates (F39WB)	44	46	48	50	52	54	56	58	60	62	64	66	68
Span Length (leg to leg)	10	10	10	10	10	10	10	10	10	10	10	10	10
Square Footage/ Square Meters	7200 ft <sup>2</sup> / 668.9 m <sup>2</sup>	7600 ft <sup>2</sup> / 706.0 m <sup>2</sup>	8000 ft <sup>2</sup> / 743.2 m <sup>2</sup>	8400 ft <sup>2</sup> / 780.3 m <sup>2</sup>	8800 ft <sup>2</sup> / 817.5 m <sup>2</sup>	9200 ft <sup>2</sup> / 854.7 m <sup>2</sup>	9600 ft <sup>2</sup> / 891.8 m <sup>2</sup>	10000 ft <sup>2</sup> / 929.0 m <sup>2</sup>	10400 ft <sup>2</sup> / 966.1 m <sup>2</sup>	10800 ft <sup>2</sup> / 1003.3 m <sup>2</sup>	11200 ft <sup>2</sup> / 1040.5 m <sup>2</sup>	11600 ft <sup>2</sup> / 1077.6 m <sup>2</sup>	12000 ft <sup>2</sup> / 1114.8 m <sup>2</sup>

# Master Series High Peak Frame Tent

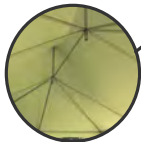


The Master Series High Peak Frame Tent combines the ease and speedy installation of the standard Master Series Frame Tent system with the elegant appearance and design of a high peak tent. Just like the standard Master Series Frame tents, The Master Series High Peak is made with fewer pieces of hardware and a tensioned valance for a smooth, tight appearance. The high peak and sloping curves catch attention, while the frame itself can be interchanged with other Master Series Frame Tents and even the Classic Series Frame Tent systems.

FREESTANDING - NO CENTER POLES FOR MAXIMUM AVAILABLE SPACE!



FITTING WITH R-PIN



INSIDE FRAMEWORK



CURVED FIXED VALANCE



TWO COLOR OPTIONS



MASTER SERIES RATCHET ASSEMBLY



TUBING



MASTER SERIES BASE PLATE

## TENT CONSTRUCTION:

- 16 oz (540 gsm) blockout, flame resistant, mold and mildew resistant vinyl
- The top is attached to the frame using a top tensioned curved valance that is ratcheted to the master series base plates
- All panels are bonded with 1" (25.4 mm) heat sealed overlapped seams
- 5/32" (3.9 mm) Nylon sidewall rope line around perimeter of tent top
- Sidewall rope line is replaceable if ever needed
- Multi-layered reinforcements at crown locations
- 95% of tent top is bonded with **heat sealed** construction
- Stock colors and custom printing available by special order

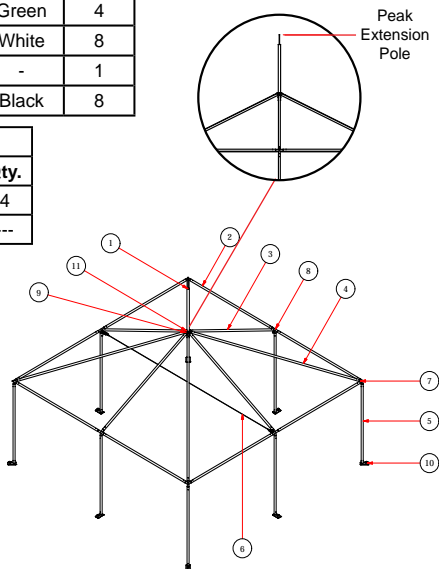


## 20' x 20' (6.1 m x 6.1 m) Master Series High Peak Frame

Frame Tubing				
Item	Description	Size	Color	Qty.
4	Hip Rafter	14'4" (4.3 m)	Red	4
3	Rafter	10'6" (3.2 m)	Green	4
2	Spreader	9'4" (2.8 m)	White	8
1	Peak Extension Pole	4'9" (1.4 m)	-	1
5	Legs	7'8" (2.3 m)	Black	8

Frame Fittings		
Item	Description	Qty.
7	Corner	4
8	Side Tee w/ Ring	4
9	8 Way Crown	1
11	Crown Adapter	1
10	Master Series Base Plates	8
6	20' (6.1 m) Cable	1
	R Pin/Pin & Bail	56
	1" (25.4 mm) Master Series Ratchet Buckles	8
	2" (50.8 mm) Ratchet Buckles	8
	Stake/Anchors	16

Sidewalls	
Size	Qty.
20' (6.1 m)	4
30' (9.1 m)	---



Standard Pitch = 9'10" (2.9 m)

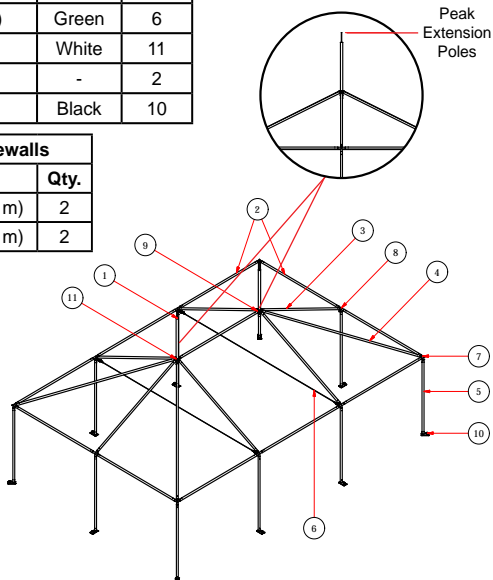


## 20' x 30' (6.1 m x 9.1 m) Master Series High Peak Frame

Frame Tubing				
Item	Description	Size	Color	Qty.
4	Hip Rafter	14'4" (4.3 m)	Red	4
3	Rafter	10'6" (3.2 m)	Green	6
2	Spreader	9'4" (2.8 m)	White	11
1	Peak Extension Pole	4'9" (1.4 m)	-	2
5	Legs	7'8" (2.3 m)	Black	10

Frame Fittings		
Item	Description	Qty.
7	Corner	4
8	Side Tee w/ Ring	6
9	6 Way Crown	2
11	Crown Adapter	2
10	Master Series Base Plates	10
6	20' (6.1 m) Cable	2
	R Pin/Pin & Bail	72
	1" (25.4 mm) Master Series Ratchet Buckles	10
	2" (50.8 mm) Ratchet Buckles	10
	Stake/Anchors	20

Sidewalls	
Size	Qty.
20' (6.1 m)	2
30' (9.1 m)	2



Standard Pitch = 9'10" (2.9 m)

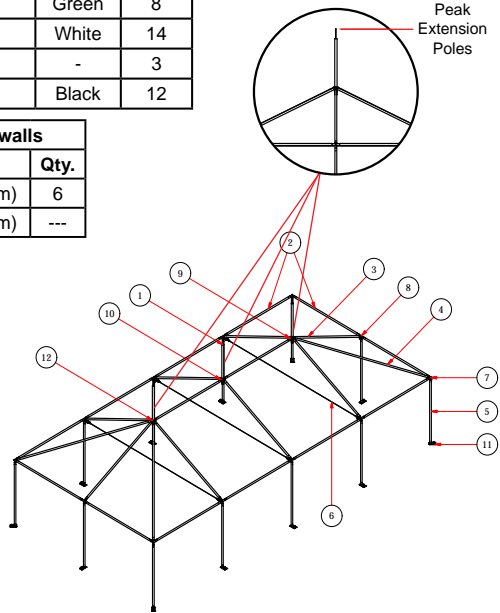


## 20' x 40' (6.1 m x 12.1 m) Master Series High Peak Frame

Frame Tubing				
Item	Description	Size	Color	Qty.
4	Hip Rafter	14'4" (4.3 m)	Red	4
3	Rafter	10'6" (3.2 m)	Green	8
2	Spreader	9'4"(2.8 m)	White	14
1	Peak Extension Pole	4'9"(1.4 m)	-	3
5	Legs	7'8" (2.3 m)	Black	12

Frame Fittings		
Item	Description	Qty.
7	Corner	4
8	Side Tee w/ Ring	8
9	6 Way Crown	2
10	Ridge Crown	1
12	Crown Adapter	3
11	Master Series Base Plates	12
6	20' (6.1 m) Cable	3
	R Pin/Pin & Bail	88
	1" Master Series Ratchet Buckles	12
	2" Ratchet Buckles	12
	Stake/Anchors	24

Sidewalls	
Size	Qty.
20' (6.1 m)	6
30' (9.1 m)	---



Standard Pitch =9'10" (2.9 m)



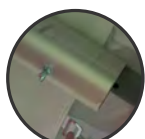


# Hybrid Frame Tent Option



™ Celina's Hybrid Frame is assembled with aluminum tubing joined together with connection fittings that support the fabric top. The rigid framework allows the tent to be freestanding. However, a frame tent will require some type of anchoring system, such as ropes, ratchets, or cables, to hold it in place. Hybrid Frame tents require no center poles or center supports, giving the optimum amount of space available.

FREESTANDING - NO CENTER POLES FOR MAXIMUM AVAILABLE SPACE!



**BOLT & WING NUT ASSEMBLY**



**INSIDE FRAMEWORK**



**SCALLOPED VALANCE**



**4 POINT CABLE ASSEMBLY**



**ALUMINUM DOUBLE TUBE**



**ALUMINUM DOUBLE TUBE LEGS**



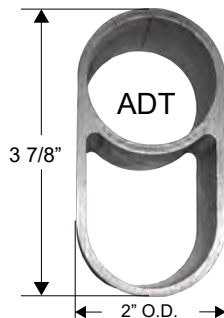
**2" RATCHET ASSEMBLY**

**TENT CONSTRUCTION:**

- 16 oz (540 gsm) blockout, flame resistant, mold and mildew resistant vinyl
- All panels are bonded with 1" heat sealed overlapped seams
- 5/32" (3.9 mm) Nylon sidewall rope line around perimeter of tent top
- Webbing sewn approximately every 15" around perimeter of tent top
- Side curtain rope line is replaceable if ever needed
- Reinforcement patches at crown locations
- Scalloped valances bound with vinyl binding
- 95% of tent top is bonded with **heat sealed** construction
- All Celina Tent frame tents are designed to fit West Coast Style Frames
- Recommended for long term setup



**Aluminum Double Tube**



# 30' x 30' (9.1 m x 9.1 m) Hybrid Frame Tent

## FRAME FITTINGS AND ACCESSORIES

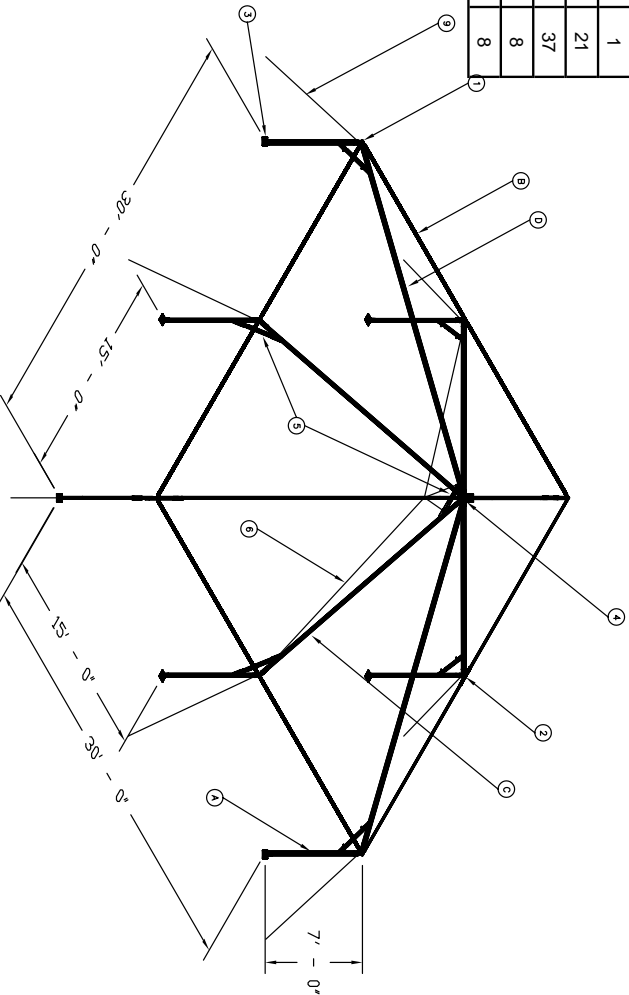
Description	Qty.
① Traditional Corner Fitting	4
② Side Tee w/ Welded Ring for Cable Attachment	4
③ Standard Base Plate	8
④ Traditional 8 Way Crown	1
⑤ Adjustable Double Tube Brace	9
⑥ 4 Point Cable Assembly for 30' (9.1 m) Wide Hybrid Frame	1
⑦ 2.5" (6.35 cm) Pin & Ball	21
⑧ 4.5" (11.4 cm) Bolt & Wing Nut Assembly for Double Tube	37
⑨ Ratchet Buckles	8
⑩ Stakes /Anchors	8

## FRAME TUBING

Description	Color	Qty
Ⓐ 6"8" (2 m) - 2" (5 cm) Double Tube	Brown	8
Ⓑ 14"4" (4.3 m) - 2" (5 cm) Single Tube	Red	8
Ⓒ 16"1" (4.9 m) - 2" (5 cm) Double Tube	Green	4
Ⓓ 21"10.5" (6.6 m) - 2" (5 cm) Double Tube	Red	4

## SIDEWALLS

Size	Qty.
20' (6.1 m)	---
30' (9.1 m)	4



TM

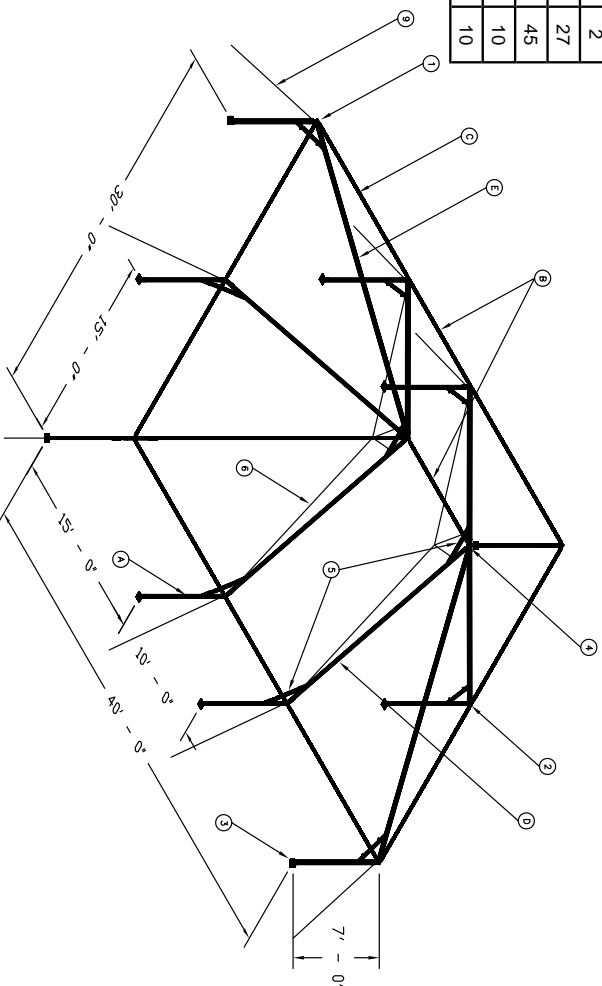
# 30' x 40' (9.1 m x 12.1 m) Hybrid Frame Tent

## FRAME FITTINGS AND ACCESSORIES

Description	Qty.
① Traditional Corner Fitting	4
② Side Tee w/ Welded Ring for Cable Attachment	6
③ Standard Base Plate	10
④ Traditional 6 Way Crown	2
⑤ Adjustable Double Tube Brace	12
⑥ 4 Point Cable Assembly for 30' (9.1 m) Wide Hybrid Frame	2
⑦ 2.5" (6.35 cm) Pin & Bail	27
⑧ 4.5" (11.4 cm) Bolt & Wing Nut Assembly for Double Tube	45
⑨ Ratchet Buckles	10
⑩ Stakes/Anchors	10

## FRAME TUBING

Description	Color	Qty
Ⓐ 6.8" (2 m) - 2" (5 cm) Double Tube	Brown	10
Ⓑ 9.4" (2.8 m) - 2" (5 cm) Single Tube	White	3
Ⓒ 14.4" (4.3 m) - 2" (5 cm) Single Tube	Red	8
Ⓓ 16.1" (4.9 m) - 2" (5 cm) Double Tube	Green	6
Ⓔ 21.10.5" (6.6 m) - 2" (5 cm) Double Tube	Red	4



SIDEWALLS	
Size	Qty.
20' (6.1 m)	4
30' (9.1 m)	2



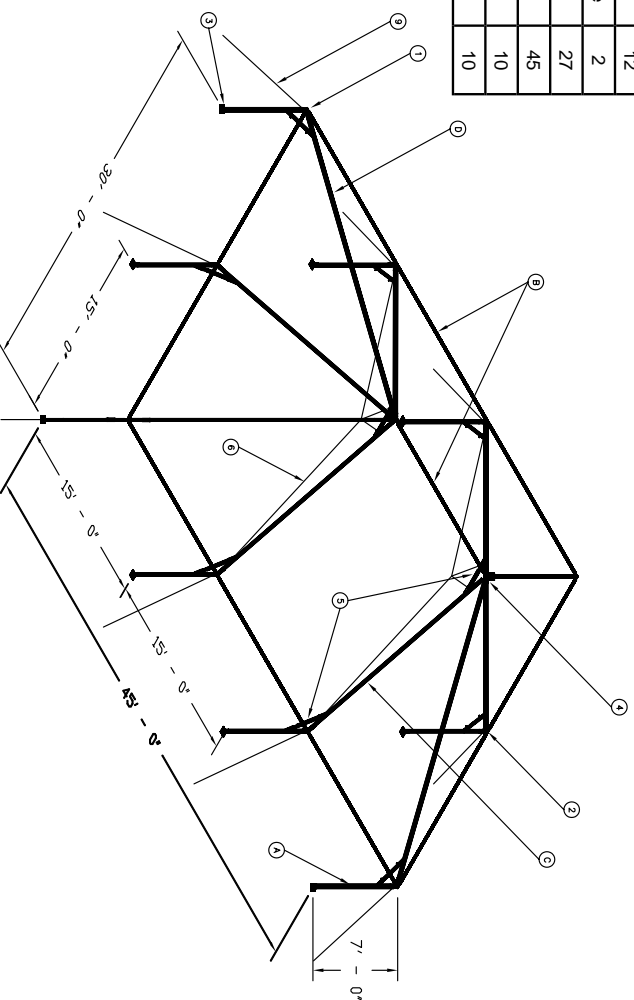
# 30' x 45' (9.1 m x 13.7 m) Hybrid Frame Tent

## FRAME FITTINGS AND ACCESSORIES

Description	Qty.
① Traditional Corner Fitting	4
② Side Tee w/ Welded Ring for Cable Attachment	6
③ Standard Base Plate	10
④ Traditional 6 Way Crown	2
⑤ Adjustable Double Tube Brace	12
⑥ 4 Point Cable Assembly for 30' (9.1 m) Wide Hybrid Frame	2
⑦ 2.5" (6.35 cm) Pin & Ball	27
⑧ 4.5" (11.4 cm) Bolt & Wing Nut Assembly for Double Tube	45
⑨ Ratchet Buckles	10
⑩ Stakes/Anchors	10

## FRAME TUBING

Description	Color	Qty
(A) 6"8" (2 m) - 2" (5 cm) Double Tube	Brown	10
(B) 14"4" (4.3 m) - 2" (5 cm) Single Tube	Red	11
(C) 16"1" (4.9 m) - 2" (5 cm) Double Tube	Green	6
(D) 21"10.5" (6.6 m) - 2" (5 cm) Double Tube	Red	4



TM

HYBRID FRAME TENT OPTION

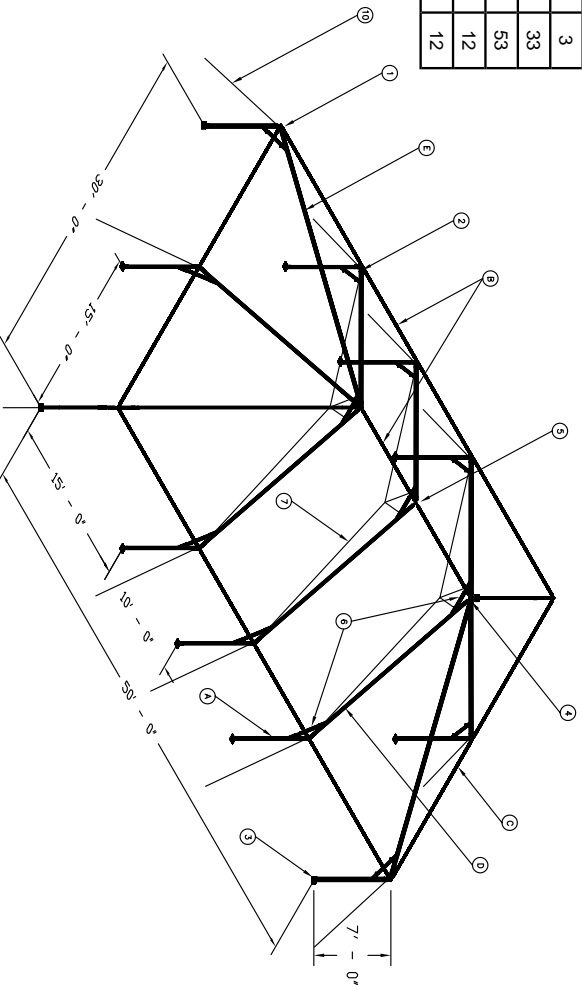
# 30' x 50' (9.1 m x 15.2 m) Hybrid Frame Tent

## FRAME FITTINGS AND ACCESSORIES

Description	Qty.
① Traditional Corner Fitting	4
② Side Tee w/ Welded Ring for Cable Attachment	8
③ Standard Base Plate	12
④ Traditional 6 Way Crown	2
⑤ Traditional Ridge Crown	1
⑥ Adjustable Double Tube Brace	15
⑦ 4 Point Cable Assembly for 30' (9.1 m) Wide Hybrid Frame	3
⑧ 2.5" (6.35 cm) Pin & Ball	33
⑨ 4.5" (11.4 cm) Bolt & Wing Nut Assembly for Double Tube	53
⑩ Ratchet Buckles	12
⑪ Stakes/Anchors	12

## FRAME TUBING

Description	Color	Qty
(A) 6.8" (2 m) - 2" (5 cm) Double Tube	Brown	12
(B) 9.4" (2.8 m) - 2" (5 cm) Single Tube	White	6
(C) 14.4" (4.3 m) - 2" (5 cm) Single Tube	Red	8
(D) 16.1" (4.9 m) - 2" (5 cm) Double Tube	Green	8
(E) 21.0.5" (6.6 m) - 2"(5cm) Double Tube	Red	4



SIDEWALLS	
Size	Qty.
20' (6.1 m)	2
30' (9.1 m)	4



# HYBRID FRAME TENT OPTION

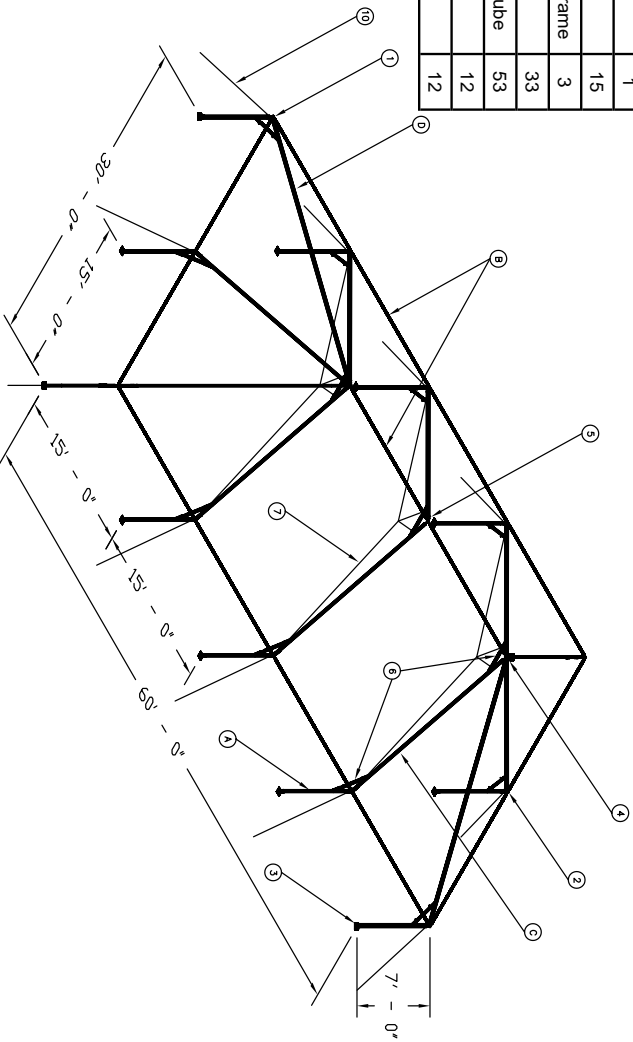
30' x 60' (9.1 m x 18.2 m) Hybrid Frame Tent

## FRAME FITTINGS AND ACCESSORIES

Description	Qty.
① Traditional Corner Fitting	4
② Side Tee w/ Welded Ring for Cable Attachment	8
③ Standard Base Plate	12
④ Traditional 6 Way Crown	2
⑤ Traditional Ridge Crown	1
⑥ Adjustable Double Tube Brace	15
⑦ 4 Point Cable Assembly for 30' (9.1 m) Wide Hybrid Frame	3
⑧ 2.5" (6.35 cm) Pin & Ball	33
⑨ 4.5" (11.4 cm) Bolt & Wing Nut Assembly for Double Tube	53
⑩ Ratchet Buckles	12
⑪ Stakes/Anchors	12

## FRAME TUBING

Description	Color	Qty
Ⓐ 6"8" (2 m) - 2" (5 cm) Double Tube	Brown	12
Ⓑ 14"4" (4.3 m) - 2" (5 cm) Single Tube	Red	14
Ⓒ 16"1" (4.9 m) - 2" (5 cm) Double Tube	Green	8
Ⓓ 21"10.5" (6.6 m) - 2" (5 cm) Double Tube	Red	4



SIDEWALLS	
Size	Qty.
20' (6.1 m)	-
30' (9.1 m)	6

**HYBRID**  
Frame Supported Tents

TM

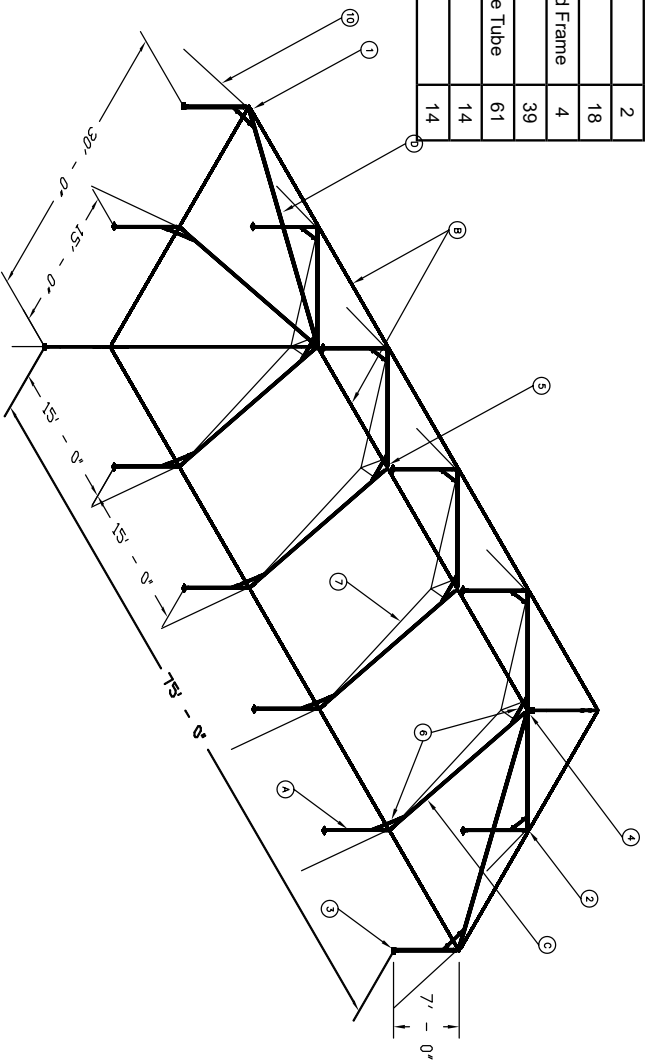
# 30' x 75' (9.1 m x 22.8 m) Hybrid Frame Tent

## FRAME FITTINGS AND ACCESSORIES

Description	Qty.
① Traditional Corner Fitting	4
② Side Tee w/ Welded Ring for Cable Attachment	10
③ Standard Base Plate	14
④ Traditional 6 Way Crown	2
⑤ Traditional Ridge Crown	2
⑥ Adjustable Double Tube Brace	18
⑦ 4 Point Cable Assembly for 30' (9.1 m) Wide Hybrid Frame	4
⑧ 2.5" (6.35 cm) Pin & Ball	39
⑨ 4.5" (11.4 cm) Bolt & Wing Nut Assembly for Double Tube	61
⑩ Ratchet Buckles	14
⑪ Stakes/Anchors	14

## FRAME TUBING

Description	Color	Qty
Ⓐ 6'8" (2 m) - 2" (5 cm) Double Tube	Brown	14
Ⓑ 14'4" (4.3 m) - 2" (5 cm) Single Tube	Red	17
Ⓒ 16'1" (4.9 m) - 2" (5 cm) Double Tube	Green	10
Ⓓ 21'10.5" (6.6 m) - 2" (5 cm) Double Tube	Red	4



TM

# HYBRID FRAME TENT OPTION

# HYBRID FRAME TENT OPTION

30' x 90' (9.1 m x 27.4 m) Hybrid Frame Tent

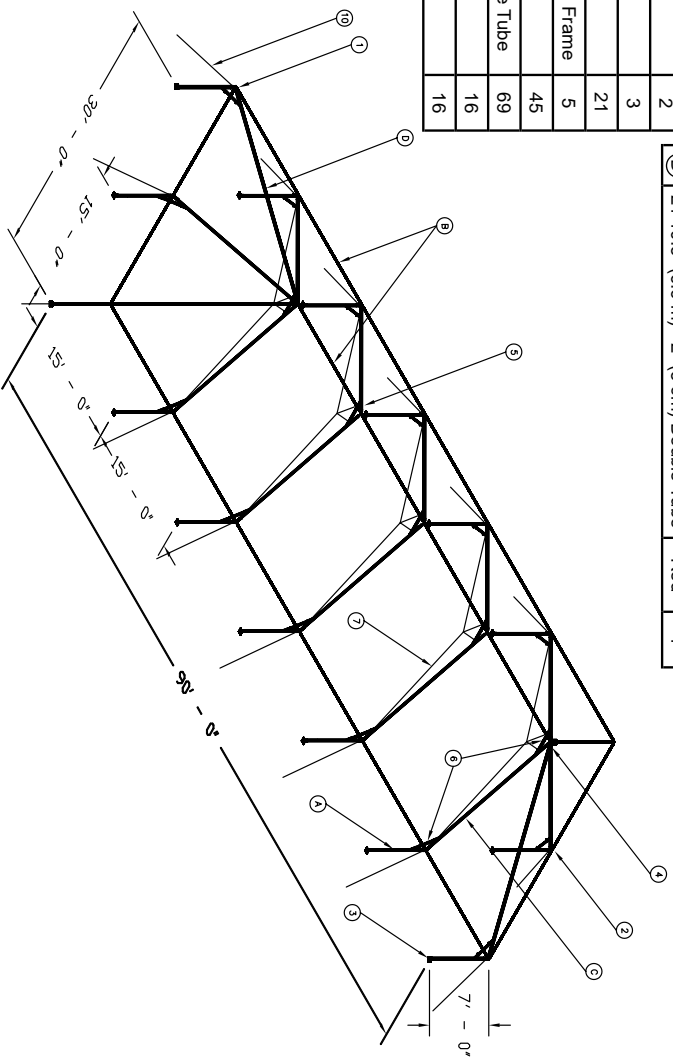


## FRAME FITTINGS AND ACCESSORIES

Description	Qty.
① Traditional Corner Fitting	4
② Side Tee w/ Welded Ring for Cable Attachment	12
③ Standard Base Plate	14
④ Traditional 6 Way Crown	2
⑤ Traditional Ridge Crown	3
⑥ Adjustable Double Tube Brace	21
⑦ 4 Point Cable Assembly for 30' (9.1 m) Wide Hybrid Frame	5
⑧ 2.5" (6.35 cm) Pin & Ball	45
⑨ 4.5" (11.4 cm) Bolt & Wing Nut Assembly for Double Tube	69
⑩ Ratchet Buckles	16
⑪ Stakes/Anchors	16

## FRAME TUBING

Description	Color	Qty
Ⓐ 6'8" (2 m) - 2"(5 cm) Double Tube	Brown	16
Ⓑ 14'4" (4.3 m) - 2"(5 cm) Single Tube	Red	20
Ⓒ 16'1" (4.9 m) - 2"(5 cm) Double Tube	Green	12
Ⓓ 21'10.5" (6.6 m) - 2" (5 cm) Double Tube	Red	4



SIDEWALLS	
Size	Qty.
20' (6.1 m)	-
30' (9.1 m)	8



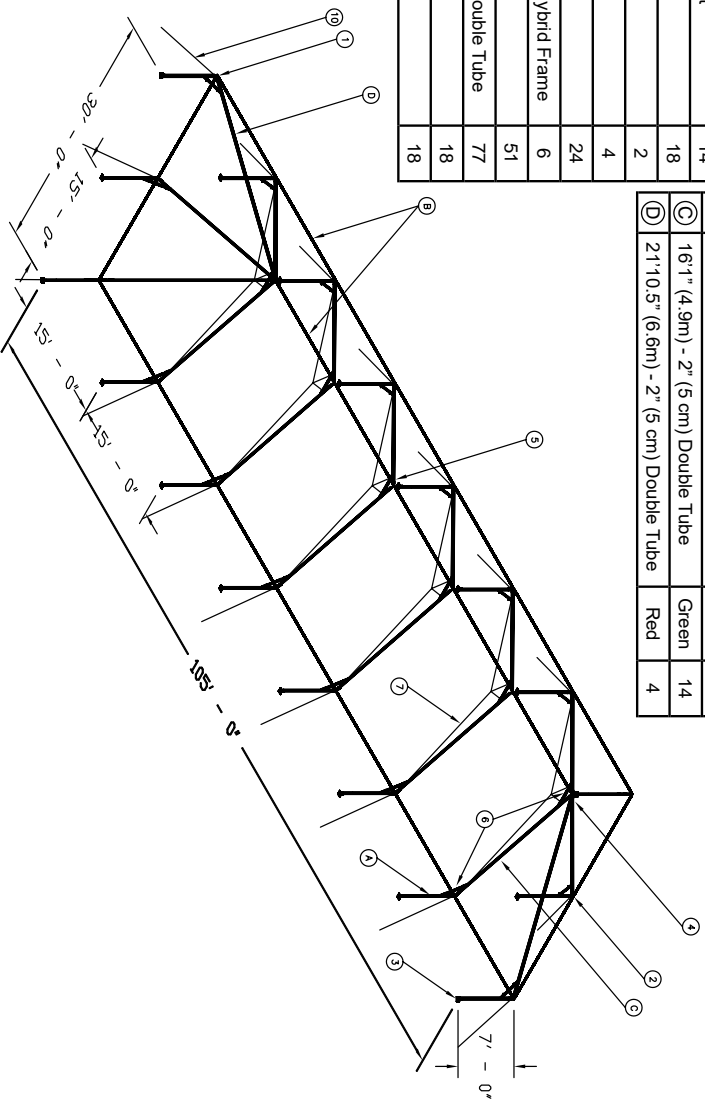
# 30' x 105' (9.1 m x 32 m) Hybrid Frame Tent

## FRAME FITTINGS AND ACCESSORIES

Description	Qty.
① Traditional Corner Fitting	4
② Side Tee w/ Welded Ring for Cable Attachment	14
③ Standard Base Plate	18
④ Traditional 6 Way Crown	2
⑤ Traditional Ridge Crown	4
⑥ Adjustable Double Tube Brace	24
⑦ 4 Point Cable Assembly for 30' (9.1 m) Wide Hybrid Frame	6
⑧ 2.5" (6.35 cm) Pin & Ball	51
⑨ 4.5" (11.4 cm) Bolt & Wing Nut Assembly for Double Tube	77
⑩ Ratchet Buckles	18
⑪ Stakes/Anchors	18

## FRAME TUBING

Description	Color	Qty
Ⓐ 6.8" (2m) - 2" (5 cm) Double Tube	Brown	18
Ⓑ 14.4" (4.3m) - 2" (5 cm) Single Tube	Red	23
Ⓒ 16.1" (4.9m) - 2" (5 cm) Double Tube	Green	14
Ⓓ 21.10.5" (6.6m) - 2" (5 cm) Double Tube	Red	4



TM

## HYBRID FRAME TENT OPTION

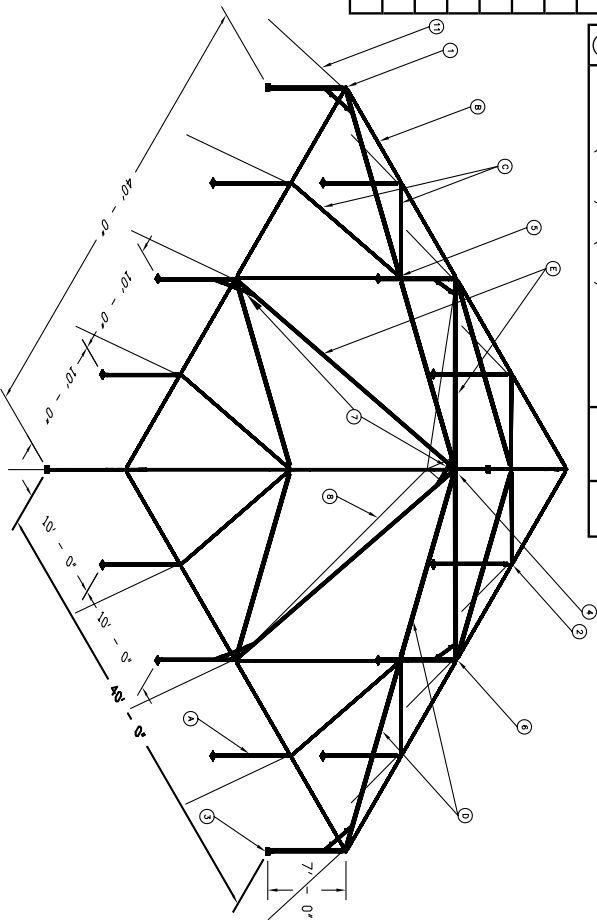
# 40' x 40' (12.1 m x 12.1 m) Hybrid Frame Tent

## FRAME FITTINGS AND ACCESSORIES

Description	Qty.
① Traditional Corner Fitting	4
② Side Tee w/ Welded Ring for Cable Attachment	8
③ Standard Base Plate	16
④ Traditional 8 Way Crown	1
⑤ Traditional 6 Way Hip Joint	4
⑥ 6 Way Side Tee w/ Welded Ring for Cable Attachment	4
⑦ Adjustable Double Tube Brace	9
⑧ 4 Point Cable Assembly for 40' (12.1 m) Wide Hybrid Frame	1
⑨ 2.5" (6.35 cm) Pin & Bail	53
⑩ 4.5" (11.4 cm) Bolt & Wing Nut Assembly for Double Tube	77
⑪ Ratchet Buckles	16
⑫ Stakes/Anchors	16

## FRAME TUBING

Description	Color	Qty
Ⓐ 6"8" (2 m) - 2" (5 cm) Double Tube	Brown	16
Ⓑ 9"4" (2.8 m) - 2" (5 cm) Single Tube	White	16
Ⓒ 10"6" (3.2 m) - 2" (5 cm) Single Tube	White	8
Ⓓ 14"4" (4.3 m) - 2" (5 cm) Double Tube	Red	16
Ⓔ 21"10.5" (6.6 m) - 2" (5cm) Double Tube	Red	4



SIDEWALLS	
Size	Qty.
20' (6.1 m)	8
30' (9.1 m)	-



TM

HYBRID FRAME TENT OPTION

# HYBRID FRAME TENT OPTION

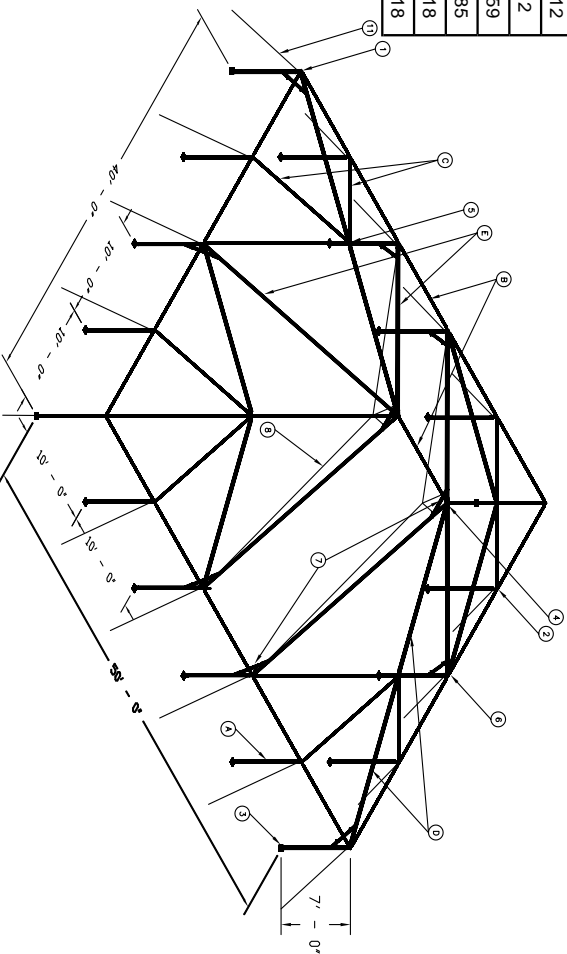
## 40' x 50' (12.1 m x 15.2 m) Hybrid Frame Tent

### FRAME FITTINGS AND ACCESSORIES

Description	Qty.
① Traditional Corner Fitting	4
② Side Tee w/ Welded Ring for Cable Attachment	8
③ Standard Base Plate	18
④ Traditional 6 Way Crown	2
⑤ Traditional 6 Way Hip Joint	4
⑥ 6 Way Side Tee w/ Welded Ring for Cable Attachment	6
⑦ Adjustable Double Tube Brace	12
⑧ 4 Point Cable Assembly for 40' (12.1 m) Wide Hybrid Frame	2
⑨ 2.5" (6.35 cm) Pin & Ball	59
⑩ 4.5" (11.4 cm) Bolt & W/ing Nut Assembly for Double Tube	85
⑪ Ratchet Buckles	18
⑫ Stakes/Anchors	18

### FRAME TUBING

Description	Color	Qty
Ⓐ 6"8" (2 m) - 2" (5cm) Double Tube	Brown	18
Ⓑ 9"4" (2.8 m) - 2" (5 cm) Single Tube	White	19
Ⓒ 10"6" (3.2 m) - 2" (5 cm) Single Tube	White	8
Ⓓ 14"4" (4.3 m) - 2" (5 cm) Double Tube	Red	16
Ⓔ 21"10.5" (6.6 m) - 2" (5 cm) Double Tube	Red	6



SIDEWALLS	
Size	Qty.
20' (6.1 m)	6
30' (9.1 m)	2



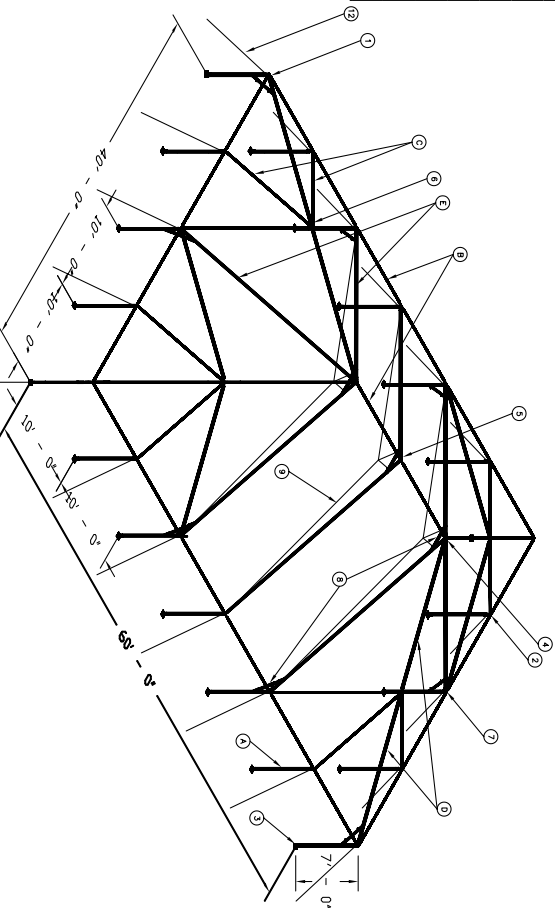
# 40' x 60' (12.1 m x 18.2 m) Hybrid Frame Tent

## FRAME FITTINGS AND ACCESSORIES

Description	Qty.
① Traditional Corner Fitting	4
② Side Tee w/ Welded Ring for Cable Attachment	10
③ Standard Base Plate	20
④ Traditional 6 Way Crown	2
⑤ Traditional Ridge Crown	1
⑥ Traditional 6 Way Hip Joint	4
⑦ 6 Way Side Tee w/ Welded Ring for Cable Attachment	6
⑧ Adjustable Double Tube Brace	13
⑨ 4 Point Cable Assembly for 40' (12.1 m) Wide Hybrid Frame	3
⑩ 2.5" (6.35 cm) Pin & Ball	65
⑪ 4.5" (11.4 cm) Bolt & W/ing Nut Assembly for Double Tube	93
⑫ Ratchet Buckles	20
⑬ Stakes/Anchors	20

## FRAME TUBING

Description	Color	Qty
Ⓐ 6"8" (2 m) - 2" (5 cm) Double Tube	Brown	20
Ⓑ 9"4" (2.8 m) - 2" (5 cm) Single Tube	White	22
Ⓒ 10"6" (3.2 m) - 2" (5 cm) Single Tube	White	8
Ⓓ 14"4" (4.3 m) - 2" (5 cm) Double Tube	Red	16
Ⓔ 21"10.5" (6.6 m) - 2" (5 cm) Double Tube	Red	8



SIDEWALLS	
Size	Qty.
20' (6.1 m)	4
30' (9.1 m)	4



TM

# HYBRID FRAME TENT OPTION

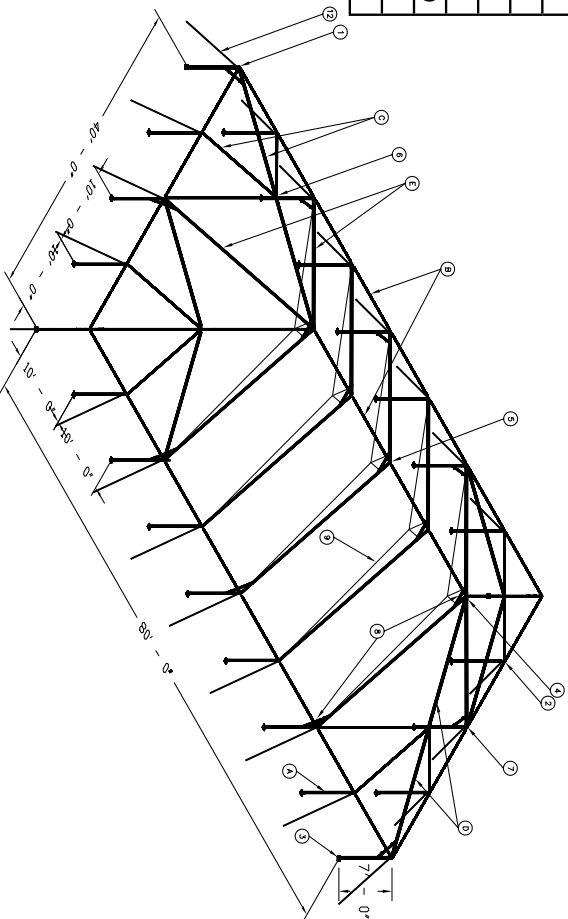
## 40' x 80' (12.1 m x 24.3 m) HYBRID FRAME TENT

### FRAME FITTINGS AND ACCESSORIES

Description	Qty.
① Traditional Corner Fitting	4
② Side Tee w/ Welded Ring for Cable Attachment	14
③ Standard Base Plate	24
④ Traditional 6 Way Crown	2
⑤ Traditional Ridge Crown	3
⑥ Traditional 6 Way Hip Joint	4
⑦ 6 Way Side Tee w/ Welded Ring for Cable Attachment	6
⑧ Adjustable Double Tube Brace	17
⑨ 4 Point Cable Assembly for 40' (12.1 m) Wide Hybrid Frame	5
⑩ 2.5" (6.35 cm) Pin & Bail	77
⑪ 4.5" (11.4 cm) Bolt & Wing Nut Assembly for Double Tube	109
⑫ Rancher Buckles	24
⑬ Stakes/Anchors	24

### FRAME TUBING

Description	Color	Qty
Ⓐ 6'8" (2 m) - 2" (5 cm) Double Tube	Brown	24
Ⓑ 9'4" (2.8 m) - 2" (5 cm) Single Tube	White	28
Ⓒ 10'6" (3.2 m) - 2" (5 cm) Single Tube	White	8
Ⓓ 14'4" (4.3 m) - 2" (5 cm) Double Tube	Red	16
Ⓔ 21'10.5" (6.6 m) - 2" (5 cm) Double Tube	Red	12



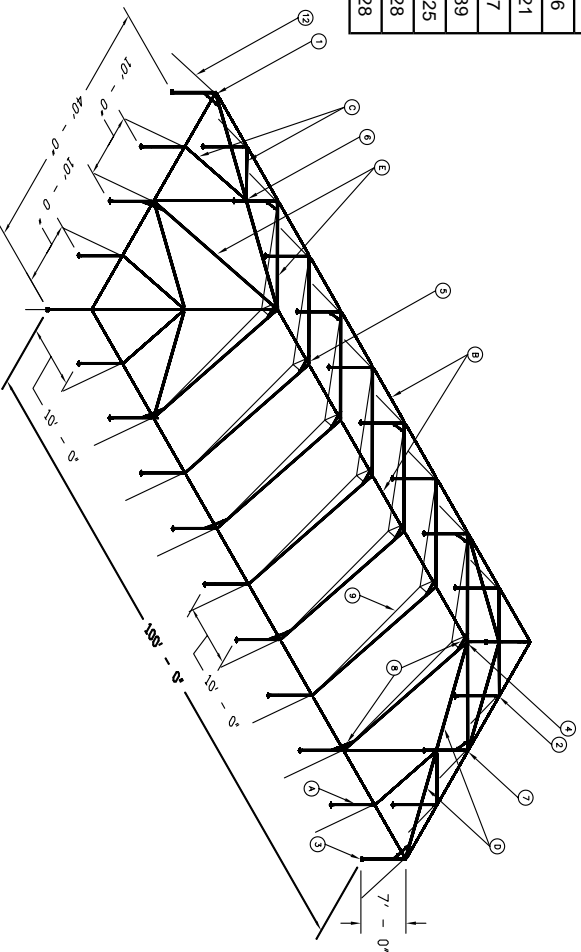
# 40' x 100' (12.1 m x 30.4 m) HYBRID FRAME TENT

## FRAME FITTINGS AND ACCESSORIES

Description	Qty.
① Traditional Corner Fitting	4
② Side Tee w/ Welded Ring for Cable Attachment	18
③ Standard Base Plate	28
④ Traditional 6 Way Crown	2
⑤ Traditional Ridge Crown	5
⑥ Traditional 6 Way Hip Joint	4
⑦ 6 Way Side Tee w/ Welded Ring for Cable Attachment	6
⑧ Adjustable Double Tube Brace	21
⑨ 4 Point Cable Assembly for 40' (12.1 m) Wide Hybrid Frame	7
⑩ 2.5" (6.35 cm) Pin & Ball	89
⑪ 4.5" (11.4 cm) Bolt & Wing Nut Assembly for Double Tube	125
⑫ Ratchet Buckles	28
⑬ Stakes / Anchors	28

## FRAME TUBING

Description	Color	Qty
Ⓐ 68" (2 m) - 2" (5 cm) Double Tube	Brown	28
Ⓑ 94" (2.8 m) - 2" (5 cm) Single Tube	White	34
Ⓒ 106" (3.2 m) - 2" (5 cm) Single Tube	White	8
Ⓓ 144" (4.3 m) - 2" (5 cm) Double Tube	Red	16
Ⓔ 21'10.5" (6.6 m) - 2" (5 cm) Double Tube	Red	16



TM

HYBRID FRAME TENT OPTION

# HYBRID FRAME TENT OPTION

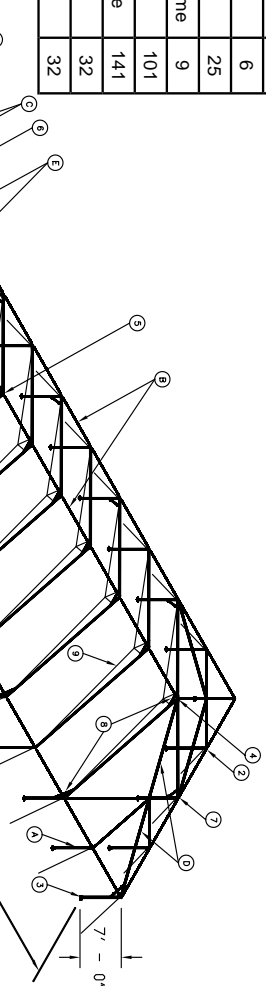
## 40' x 120' (12.1 m x 36.5 m) Hybrid Frame Tent

### FRAME FITTINGS AND ACCESSORIES

Description	Qty.
① Traditional Corner Fitting	4
② Side Tee w/ Welded Ring for Cable Attachment	22
③ Standard Base Plate	32
④ Traditional 6 Way Crown	2
⑤ Traditional Ridge Crown	7
⑥ Traditional 6 Way Hip Joint	4
⑦ 6 Way Side Tee w/ Welded Ring for Cable Attachment	6
⑧ Adjustable Double Tube Brace	25
⑨ 4 Point Cable Assembly for 40' (12.1 m) Wide Hybrid Frame	9
⑩ 2.5" (6.35 cm) Pin & Bail	101
⑪ 4.5" (11.4 cm) Bolt & Wing Nut Assembly for Double Tube	141
⑫ Rancher Buckles	32
⑬ Stakes/Anchors	32

### FRAME TUBING

Description	Color	Qty
Ⓐ 6'8" (2 m) - 2" (5 cm) Double Tube	Brown	32
Ⓑ 9'4" (2.8 m) - 2" (5 cm) Single Tube	White	40
Ⓒ 10'6" (3.2 m) - 2" (5 cm) Single Tube	White	8
Ⓓ 14'4" (4.3 m) - 2" (5 cm) Double Tube	Red	16
Ⓔ 21'10.5" (6.6 m) - 2" (5 cm) Double Tube	Red	20



SIDEWALLS	
Size	Qty.
20' (6.1 m)	4
30' (9.1 m)	8



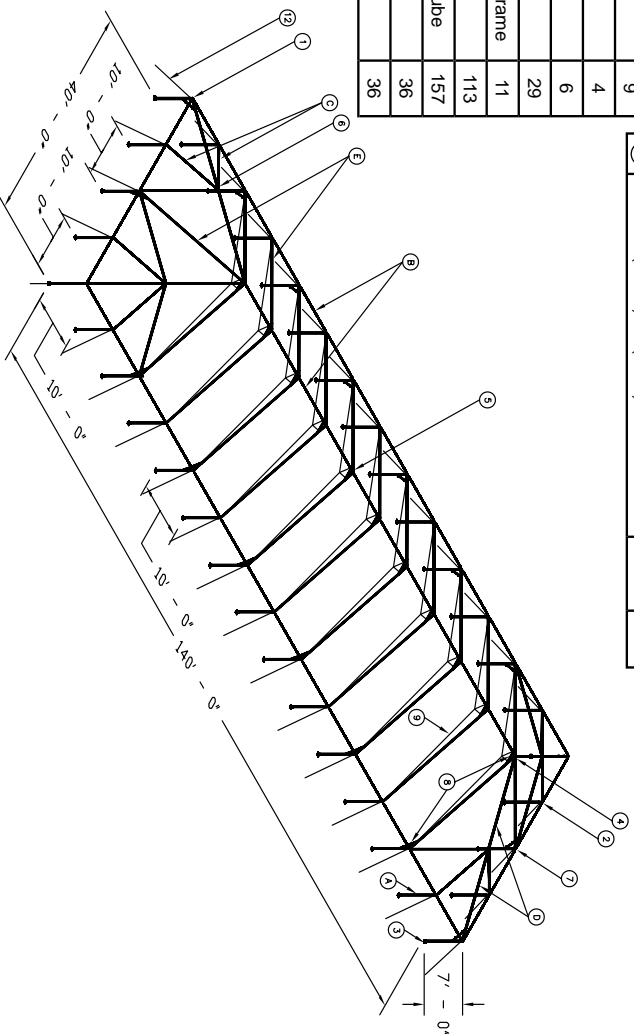
# 40' x 140' (12.1 m x 42.6 m) Hybrid Frame Tent

## FRAME FITTINGS AND ACCESSORIES

Description	Qty.
① Traditional Corner Fitting	4
② Side Tee w/ Welded Ring for Cable Attachment	26
③ Standard Base Plate	36
④ Traditional 6 Way Crown	2
⑤ Traditional Ridge Crown	9
⑥ Traditional 6 Way Hip Joint	4
⑦ 6 Way Side Tee w/ Welded Ring for Cable Attachment	6
⑧ Adjustable Double Tube Brace	29
⑨ 4 Point Cable Assembly for 40' (12.1m) Wide Hybrid Frame	11
⑩ 2.5" (6.35 cm) Pin & Ball	113
⑪ 4.5" (11.4 cm) Bolt & Wing Nut Assembly for Double Tube	157
⑫ Ratchet Buckles	36
⑬ Stakes/Anchors	36

## FRAME TUBING

Description	Color	Qty
Ⓐ 6"8" (2 m) - 2"(5 cm) Double Tube	Brown	36
Ⓑ 9"4" (2.8 m) - 2"(5 cm) Single Tube	White	46
Ⓒ 10"6" (3.2 m) - 2"(5 cm) Single Tube	White	8
Ⓓ 14"4" (4.3 m) - 2"(5 cm) Double Tube	Red	16
Ⓔ 21"10.5" (6.6 m) - 2"(5 cm) Double Tube	Red	24



**HYBRID**  
Frame Supported Tents

TM

HYBRID FRAME TENT OPTION



# Classic Series Gable Frame Tent



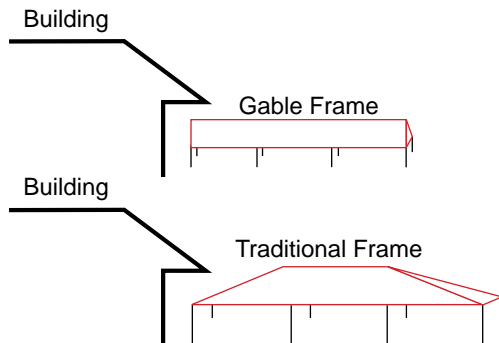
Classic Series Gable Frame tents are a slight variation on the Classic Frame tent by providing a gable at each end. Gable Frame tents are ideal for situations requiring the tent to be installed as an extension to a building, used to cover a walk way, or connecting two separated buildings or structures. The Gable ends help eliminate water runoff that a standard tent would have allowed at the entry of a tent. The Gable Frame tent has a stylish scalloped valance providing its traditional appearance.



## TENT CONSTRUCTION:

- 16 oz (540 gsm) blockout, flame resistant, mold and mildew resistant vinyl
- All panels are bonded with 1" (25.4 mm) heat sealed overlapped seams
- 5/32" (3.9 mm) Nylon sidewall rope line around perimeter of tent top
- Sidewall rope line is replaceable if ever needed
- Multi-layered reinforcements at fitting locations
- Scalloped valances bound with vinyl binding
- 95% of tent top is bonded with **heat sealed** construction
- Stock colors and custom printing available by special order

Gable Tents can butt up against existing structures with minimal water penetration!

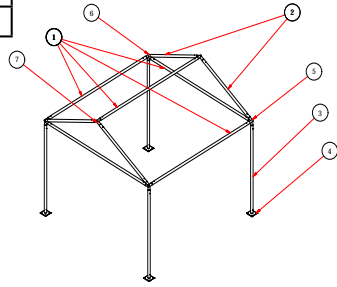


## 10' x 10' (3 m x 3 m) Gable Frame

Frame Tubing				
Item	Description	Size	Color	Qty.
2	Rafter	4'11" (1.5 m)	Green	4
1	Spreader	9'4" (2.8 m)	White	5
3	Legs	6'8" (2.0 m)/7'8"(2.3 m)	Brown/Black	4

Frame Fittings		
Item	Description	Qty.
5	Gable Left Corner	2
6	Gable Right Corner	2
7	3 Way Gable Crown	2
4	Base Plates	4
	R Pin/Pin & Bail	30
	Ratchet Buckles	4
	Stake/Anchors	4

Sidewalls	
Size	Qty.
20' (6.1 m)	2
30' (9.1 m)	---



Standard Pitch = 2'6" (0.7 m)

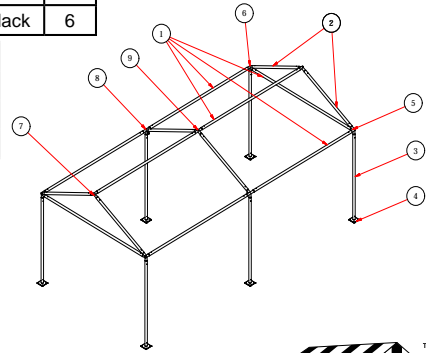


## 10' x 20' (3 m x 6 m) Gable Frame

Frame Tubing				
Item	Description	Size	Color	Qty.
2	Rafter	4'11" (1.5 m)	Green	6
1	Spreader	9'4" (2.8 m)	White	8
3	Legs	6'8" (2.0 m)/7'8" (2.3 m)	Brown/Black	6

Frame Fittings		
Item	Description	Qty.
5	Gable Left Corner	2
6	Gable Right Corner	2
7	3 Way Gable Crown	2
8	Side Tee w/ Ring	2
9	Ridge Crown	1
4	Base Plates	6
	R Pin/Pin & Bail	44
	Ratchet Buckles	6
	Stake/Anchors	6

Sidewalls	
Size	Qty.
20' (6.1 m)	3
30' (9.1 m)	---



Standard Pitch = 2'6" (0.7 m)

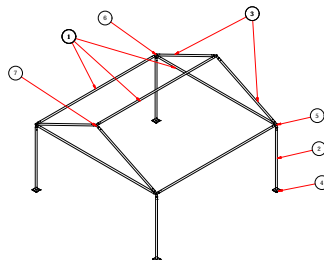


## 15' x 15' (4.6 m x 4.6 m) Gable Frame

Frame Fittings		
Item	Description	Qty.
6	Gable Left Corner	2
7	Gable Right Corner	2
8	3 Way Gable Crown	2
4	Base Plates	4
	R Pin/Pin & Bail	30
	Ratchet Buckles	4
	Stake/Anchors	4

Frame Tubing				
Item	Description	Size	Color	Qty.
3	Rafter	7'8" (2.3 m)	Black	4
1	Spreader	14'4" (4.3 m)	Red	5
2	Legs	6'8" (2.0 m)/7'8" (2.3 m)	Brown / Black	4

Sidewalls	
Size	Qty.
20' (6.1 m)	---
30' (9.1 m)	2



Standard Pitch = 3'9" (1.1 m)



# 10' (3 m) Wide

10' (3 m) Wide Gable Frame	10'/ 3 m	20'/ 6 m	30'/ 9.1 m	40'/ 12.1 m	50'/ 15.2 m	60'/ 18.2 m	70'/ 21.3 m	80'/ 24.3 m	90'/ 27.4 m	100'/ 30 m	110'/ 33.5 m	120'/ 36.5 m	130'/ 39.6 m	140'/ 42.3 m
Rafter (2AST59)	4	6	8	10	12	14	16	18	20	22	24	26	28	30
Spreader (2AST112)	5	8	11	14	17	20	23	26	29	32	35	38	41	44
Legs (2AST80)	4	6	8	10	12	14	16	18	20	22	24	26	28	30
Gable Left Corner (F13GLC)	2	2	2	2	2	2	2	2	2	2	2	2	2	2
Gable Right Corner (F14GRC)	2	2	2	2	2	2	2	2	2	2	2	2	2	2
Gable 3 Way Crown (F15G3WC)	2	2	2	2	2	2	2	2	2	2	2	2	2	2
Base Plate (F03BP)	4	6	8	10	12	14	16	18	20	22	24	26	28	30
Side Tee w/ Ring (F02STRING)	---	2	4	6	8	10	12	14	16	18	20	22	24	26
Ridge Crown (F08RC)	---	1	2	3	4	5	6	7	8	9	10	11	12	13
10' (3 m) Cables (ACFTC1875X10CAR)	---	---	---	---	4	5	6	7	8	9	10	11	12	13
Ratchet Buckles	4	6	8	10	12	14	16	18	20	22	24	26	28	30
Stake/Anchors	4	6	8	10	12	14	16	18	20	22	24	26	28	30
R Pin/Pin & Bail	30	44	58	72	86	100	114	128	142	156	170	184	198	212
Span Length (Leg to Leg)	10	10	10	10	10	10	10	10	10	10	10	10	10	10
Square Footage/ Square Meters	100 ft <sup>2</sup> / 9.2 m <sup>2</sup>	200 ft <sup>2</sup> / 18.5 m <sup>2</sup>	300 ft <sup>2</sup> / 27.8 m <sup>2</sup>	400 ft <sup>2</sup> / 37.1 m <sup>2</sup>	500 ft <sup>2</sup> / 46.4 m <sup>2</sup>	600 ft <sup>2</sup> / 55.7 m <sup>2</sup>	700 ft <sup>2</sup> / 65.0 m <sup>2</sup>	800 ft <sup>2</sup> / 74.3 m <sup>2</sup>	900 ft <sup>2</sup> / 83.6 m <sup>2</sup>	1000 ft <sup>2</sup> / 92.9 m <sup>2</sup>	1100 ft <sup>2</sup> / 102.1 m <sup>2</sup>	1200 ft <sup>2</sup> / 111.4 m <sup>2</sup>	1300 ft <sup>2</sup> / 120.7 m <sup>2</sup>	1400 ft <sup>2</sup> / 130.0 m <sup>2</sup>



## 15' (4.6 m) Wide

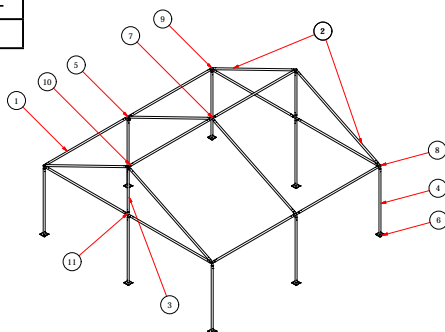
	15' / 4.5 m	20' / 6 m	30' / 9.1 m	40' / 12.1 m	45' / 13.7 m	50' / 15.2 m	60' / 18.2 m	70' / 21.3 m	75' / 22.8 m	80' / 24.3 m	90' / 27.4 m	100' / 30 m
15' (4.6 m) Wide Gable Frame	5	2	8	2	11	2	14	2	17	2	20	2
Spreader 1 (ZAST17Z)	4	6	6	10	8	14	10	22	12	26	14	34
Rafter (ZAST9Z)	4	6	6	10	8	14	10	22	12	26	14	34
Legs (ZAST80)	4	6	6	10	8	14	10	22	12	26	14	34
Gable Left Corner (F13GLC)	2	2	2	2	2	2	2	2	2	2	2	2
Gable Right Corner (F14GRC)	2	2	2	2	2	2	2	2	2	2	2	2
Gable 3 Way Crown (F15G3WC)	2	2	2	2	2	2	2	2	2	2	2	2
Base Plate (F03BP)	4	6	6	10	8	14	10	22	12	26	14	34
Spreader 2 (ZAST11Z)	---	6	---	12	---	18	0	24	---	30	0	36
Ridge Crown (F08RC)	---	1	1	3	2	5	3	7	4	9	5	11
Side Tree w/ Ring (F02STRING)	---	2	2	6	4	10	6	14	8	18	10	22
15' (4.6 m) Cables (ACFTC1875X15CAR)	---	---	---	3	2	4	3	5	4	6	5	7
Ratchet Buckles	4	6	6	10	8	14	10	22	12	26	14	34
Stake/Anchors	4	6	6	10	8	14	10	22	12	26	14	34
R Pin/Pin & Bail	30	44	44	72	58	100	72	144	86	172	100	216
Span Length (Leg to Leg)	15	10	15	10	15	10	15	10	15	10	15	10
Square Footage/ Square Meters	225 ft <sup>2</sup> / 20.9 m <sup>2</sup>	300 ft <sup>2</sup> / 27.8 m <sup>2</sup>	450 ft <sup>2</sup> / 41.8 m <sup>2</sup>	600 ft <sup>2</sup> / 55.7 m <sup>2</sup>	675 ft <sup>2</sup> / 62.7 m <sup>2</sup>	750 ft <sup>2</sup> / 69.6 m <sup>2</sup>	900 ft <sup>2</sup> / 83.6 m <sup>2</sup>	1050 ft <sup>2</sup> / 97.5 m <sup>2</sup>	1125 ft <sup>2</sup> / 104.5 m <sup>2</sup>	1200 ft <sup>2</sup> / 111.4 m <sup>2</sup>	1350 ft <sup>2</sup> / 125.4 m <sup>2</sup>	1500 ft <sup>2</sup> / 139.3 m <sup>2</sup>

## 20' x 20' (6.1 m x 6.1 m) Gable Frame

Frame Tubing				
Item	Description	Size	Color	Qty.
2	Rafter	10'6" (3.2 m)	Green	6
1	Spreader	9'4" (2.8 m)	White	10
3	Top Support	4'4" (1.3 m)	White	2
4	Legs	6'8" (2.0 m)/7'8" (2.3 m)	Brown/Black	8

Frame Fittings		
Item	Description	Qty.
8	Gable Left Corner	2
9	Gable Right Corner	2
10	4 Way Gable Crown	2
5	Side Tee w/ Ring	2
7	Ridge Crown	1
11	4 Way Flat Tee	2
6	Base Plates	8
	R Pin/Pin & Bail	60
	Ratchet Buckles	8
	Stake/Anchors	8

Sidewalls	
Size	Qty.
20' (6.1 m)	---
30' (9.1 m)	2



Standard Pitch = 5' (1.5 m)

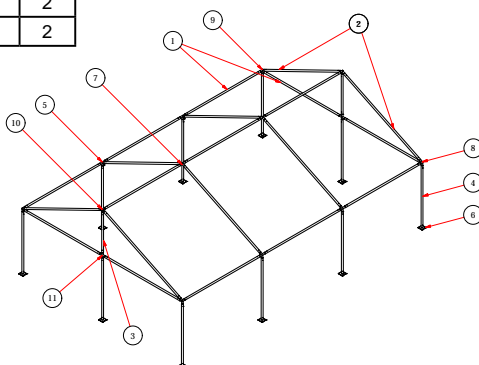


## 20' x 30' (6.1 m x 9.1 m) Gable Frame

Frame Tubing				
Item	Description	Size	Color	Qty.
2	Rafter	10'6" (3.2 m)	Green	8
1	Spreader	9'4" (2.8 m)	White	13
3	Top Support	4'4" (1.3 m)	White	2
4	Legs	6'8" (2.0 m)/7'8" (2.3 m)	Brown/Black	10

Frame Fittings		
Item	Description	Qty.
8	Gable Left Corner	2
9	Gable Right Corner	2
10	4 Way Gable Crown	2
5	Side Tee w/ Ring	4
7	Ridge Crown	2
11	4 Way Flat Tee	2
6	Base Plates	10
	R Pin/Pin & Bail	76
	Ratchet Buckles	10
	Stake/Anchors	10

Sidewalls	
Size	Qty.
20' (6.1 m)	2
30' (9.1 m)	2



Standard Pitch = 5' (1.5 m)



**20' (6.1 m) Wide**

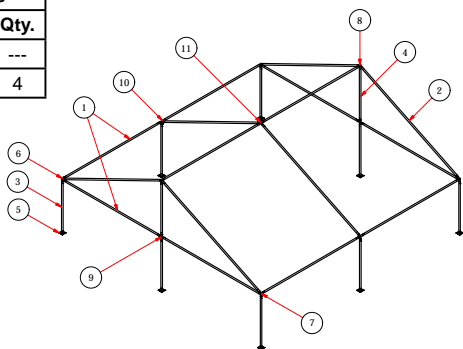
	20' / 6.1 m	30' / 9.1 m	40' / 12.1 m	50' / 15.2 m	60' / 18.2 m	70' / 21.3 m	80' / 24.3 m	90' / 27.4 m	100' / 30 m	110' / 33.5 m	120' / 36.5 m	130' / 39.6 m
<b>20' (6.1 m) Wide Gable Frame</b>												
Top Spreader (ZAST52)	2	2	2	2	2	2	2	2	2	2	2	2
Spreader (ZAST112)	10	13	16	19	22	25	28	31	34	37	40	43
Rafter (ZAST126)	6	8	10	12	14	16	18	20	22	24	26	28
Legs (ZAST80)	8	10	12	14	16	18	20	22	24	26	28	30
Gable Left Corner (F13GLC)	2	2	2	2	2	2	2	2	2	2	2	2
Gable Right Corner (F14GRC)	2	2	2	2	2	2	2	2	2	2	2	2
Gable 4 Way Crown (F16G4WC)	2	2	2	2	2	2	2	2	2	2	2	2
Side Tee w/ Ring (F02STRING)	2	4	6	8	10	12	14	16	18	20	22	24
Ridge Crown (F08RC)	1	2	3	4	5	6	7	8	9	10	11	12
4 Way Flat Tee (F184WFT)	2	2	2	2	2	2	2	2	2	2	2	2
Base Plate (F03BP)	8	10	12	14	16	18	20	22	24	26	28	30
20' (6.1 m) Gables (ACFTC1875X20CAR)	...	...	3	4	5	6	7	8	9	10	11	12
Ratchet Buckles	8	10	12	14	16	18	20	22	24	26	28	30
Stake/Anchors	8	10	12	14	16	18	20	22	24	26	28	30
R Pin/Pin & Ball	56	70	84	94	108	122	136	150	164	178	192	206
Span Length (Leg to Leg)	10	10	10	10	10	10	10	10	10	10	10	10
Square Footage/ Square Meters	400 ft²/ 37.1 m²	600 ft²/ 55.7 m²	800 ft²/ 74.3 m²	1000 ft²/ 92.9 m²	1200 ft²/ 111.4 m²	1400 ft²/ 130.0 m²	1600 ft²/ 148.6 m²	1800 ft²/ 167.2 m²	2000 ft²/ 185.8 m²	2200 ft²/ 204.3 m²	2400 ft²/ 222.9 m²	2600 ft²/ 241.5 m²

### 30' x 30' (9.1 m x 9.1 m) Gable Frame

Frame Tubing				
Item	Description	Size	Color	Qty.
2	Rafter	16'1" (4.9 m)	Green	6
1	Spreader	14'4" (4.3 m)	Red	10
4	Top Support	6'10" (2.1 m)	Green	2
3	Legs	6'8" (2.0 m)/7'8" (2.3 m)	Brown/Black	8

Frame Fittings		
Item	Description	Qty.
6	Gable Left Corner	2
7	Gable Right Corner	2
8	4 Way Gable Crown	2
10	Side Tee w/ Ring	2
11	Ridge Crown	1
9	4 Way Flat Tee	2
5	Base Plates	8
	R Pin/Pin & Bail	60
	Ratchet Buckles	8
	Stake/Anchors	8

Sidewalls	
Size	Qty.
20' (6.1 m)	---
30' (9.1 m)	4



Standard Pitch = 8' (2.4 m)

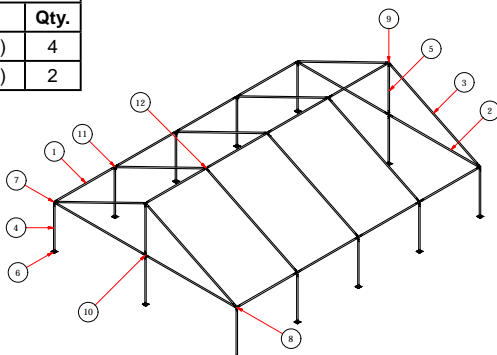


### 30' x 40' (9.1 m x 12.1 m) Gable Frame

Frame Tubing				
Item	Description	Size	Color	Qty.
3	Rafter	16'1" (4.9 m)	Green	10
2	Spreader 1	14'4" (4.3 m)	Red	4
1	Spreader 2	9'4" (2.8 m)	White	12
5	Top Support	6'10" (3.2 m)	Green	2
4	Legs	6'8" (2.0 m)/7'8" (2.3 m)	Brown/Black	12

Frame Fittings		
Item	Description	Qty.
7	Gable Left Corner	2
8	Gable Right Corner	2
9	4 Way Gable Crown	2
11	Side Tee w/ Ring	6
12	Ridge Crown	3
10	4 Way Flat Tee	2
6	Base Plates	12
	R Pin/Pin & Bail	92
	Ratchet Buckles	12
	Stake/Anchors	12

Sidewalls	
Size	Qty.
20' (6.1 m)	4
30' (9.1 m)	2



Standard Pitch = 8' (2.4 m)



## 30' (9.1 m) Wide

	30' / 9.1 m	40' / 12.1 m	45' / 13.7 m	50' / 15.2 m	60' / 18.2 m	75' / 21.3 m	90' / 27.4 m	105' / 32 m	120' / 36.5 m	135' / 41.1 m
<b>30' (9.1 m) Wide Gable Frame</b>										
Top Spreader (2AST82)	2	2	2	2	2	2	2	2	2	2
Spreader 1 (2AST172)	10	4	13	4	16	19	22	25	28	31
Rafter (2AST193)	6	10	8	12	10	12	14	16	18	20
Legs (2AST80)	8	12	10	14	12	14	16	18	20	22
Gable Left Corner (F13GLC)	2	2	2	2	2	2	2	2	2	2
Gable Right Corner (F14GRC)	2	2	2	2	2	2	2	2	2	2
Gable 4 Way Crown (F16G4WC)	2	2	2	2	2	2	2	2	2	2
Side Tee w/ Ring (F02STRING)	2	6	4	8	6	8	10	12	14	16
Ridge Crown (F08RC)	1	3	2	4	3	4	5	6	7	8
4 Way Flat Tee (F184WFT)	2	2	2	2	2	2	2	2	2	2
Base Plate (F03BP)	8	12	10	14	12	14	16	18	20	22
Spreader 2 (2AST112)	---	12	---	15	---	---	---	---	---	---
30' (9.1 m) Cables (ACFTC1875X30CAR)	---	---	---	---	3	4	5	6	7	8
Ratchet Buckles	8	12	10	14	12	14	16	18	20	22
Stake/Anchors	8	12	10	14	12	14	16	18	20	22
R Pin/Pin & Bail	56	84	70	98	84	98	112	126	140	154
Span Length (Leg to Leg)	15	15,10	15	15,10	15	15	15	15	15	15
Square Footage/ Square Meters	900 ft <sup>2</sup> / 83.6 m <sup>2</sup>	1200 ft <sup>2</sup> / 111.4 m <sup>2</sup>	1350 ft <sup>2</sup> / 125.4 m <sup>2</sup>	1500 ft <sup>2</sup> / 139.3 m <sup>2</sup>	1800 ft <sup>2</sup> / 167.2 m <sup>2</sup>	2250 ft <sup>2</sup> / 209.0 m <sup>2</sup>	2700 ft <sup>2</sup> / 250.8 m <sup>2</sup>	3150 ft <sup>2</sup> / 292.6 m <sup>2</sup>	3600 ft <sup>2</sup> / 334.4 m <sup>2</sup>	4050 ft <sup>2</sup> / 376.2 m <sup>2</sup>



# Pinnacle Series High Peak Frame Tent



Pinnacle Series High Peak Frame Tents are designed with a high peak center mast supported by cross cables extending from each corner fitting, maximizing the usable space underneath while at the same time eliminating the need for interior frames or support poles. The simple design allows for easy transportation, storage, and installation involving only two people due to the reduced amount of hardware in comparison to other frame or pole tents.

FREESTANDING - NO CENTER POLES FOR MAXIMUM AVAILABLE SPACE!



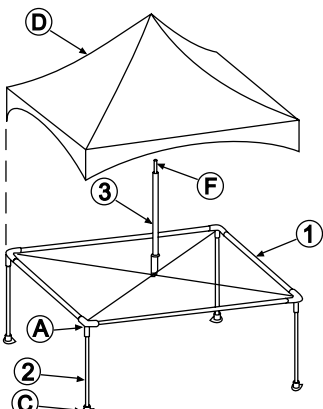
## Tent Construction:

- 16 oz (540 gsm) blockout, flame resistant, mold and mildew resistant vinyl
- All panels are bonded with 1" (25.4 mm) heat sealed overlapped seams
- 2 1/2" (63.5 mm) dia., 1/8" (3.17 mm) wall thickness, heavy-duty anodized aluminum (6061-T6 aluminum) frame
- Cast aluminum corner fittings & base plates
- 95% of tent top is bonded with **heat sealed** construction
- Window and solid sidewall options
- Stock colors and custom printing available by special order



## 10' x 10' (3 m x 3 m) Pinnacle Series High Peak Frame Tent

No. / Letter	Description	Qty	Picture
1	9'3" (2.8 m) Spreader Bars	4	
2	8' (2.4 m) Legs	4	
3	Center Mast Assembly	1	
A	Corner Fitting	4	
C	Base Plate	4	
	Cross Cables	2	
	22" (55.8 cm) Stakes	4	
	36" (91.4 cm) or 42" (106.6 cm) Stakes	4	
	1" (2.5 cm) Ratchet w/ 4' (1.2 m) Strap/Loop	4	
	1" (2.5 cm) x 6' (1.8 cm) Strap/Loop	4	
	2" (5.0 cm) Ratchet w/ 5' (1.5 m) Strap/Loop	4	
	2" (5.0 cm) x 8' (12.7 m) Strap/Loop	4	
	Carabiner	4	
D	Tent Top	1	
F	Center Mast Pole Pin	1	

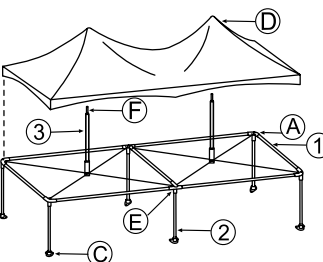


Standard Pitch = 4.6' (1.4 m)



## 10' x 20' (3 m x 6.1 m) Pinnacle Series High Peak Frame Tent

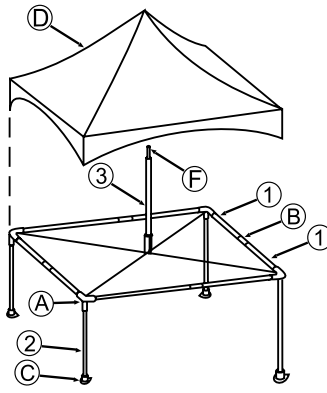
No. / Letter	Description	Qty	Picture
1	9'3" (2.8 m) Spreader Bars	7	
2	8' (2.4 m) Legs	6	
3	Center Mast Assembly	2	
A	Corner Fitting	4	
E	Side Tee Fitting	2	
C	Base Plate	6	
	Cross Cables	4	
	22" (55.8 cm) Stakes	6	
	42" (106.6 cm) Stakes	6	
	1" (2.5 cm) Ratchet w/ 4' (1.2 m) Strap/Loop	6	
	1" (2.5 cm) x 6' (1.8 cm) Strap/Loop	6	
	2" (5.0 cm) Ratchet w/ 5' (1.5 m) Strap/Loop	6	
	2" (5.0 cm) x 8' (12.7 m) Strap/Loop	6	
	Carabiner	6	
D	Tent Top	1	
F	Center Mast Pole Pin	2	



Standard Pitch = 4.6' (1.4 m)

### 15' x 15' (4.5 m x 4.5 m) Pinnacle Series High Peak Frame Tent

No. / Letter	Description	Qty	Picture
1	6'8" (2.0 m) Spreader Bars	4	
2	8' (2.4 m) Legs	4	
3	Center Mast Assembly	1	
A	Corner Fitting	4	
B	15" (38.1 cm) Spreader Inserts	4	
C	Base Plate	4	
	Cross Cables	2	
	22" (55.8 cm) Stakes	4	
	36" (91.4 cm) or 42" (106.6 cm) Stakes	4	
	1" (2.5 cm) Ratchet w/ 4' (1.2 m) Strap/Loop	4	
	1" (2.5 cm) x 6' (1.8 cm) Strap/Loop	4	
	2" (5.0 cm) Ratchet w/ 5' (1.5 m) Strap/Loop	4	
	2" (5.0 cm) x 8' (12.7 m) Strap/Loop	4	
	Carabiner	4	
D	Tent Top	1	
F	Center Mast Pole Pin	1	

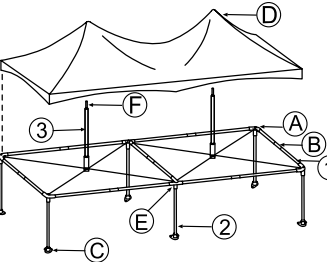


Standard Pitch = 6.25' (1.9 m)



### 15' x 30' (4.5 m x 9.1 m) Pinnacle Series High Peak Frame Tent

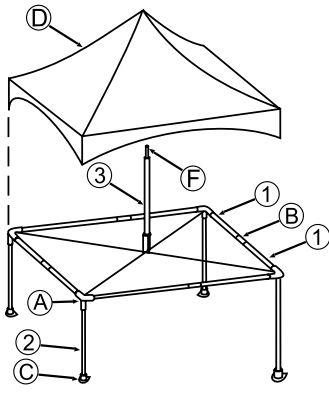
No. / Letter	Description	Qty	Picture
1	6'8" (2.0 m) Spreader Bars	14	
2	8' (2.4 m) Legs	6	
3	Center Mast Assembly	2	
A	Corner Fitting	4	
B	9" (22.8 cm) Spreader Inserts	7	
E	Side Tee Fitting	2	
C	Base Plate	6	
	Cross Cables	4	
	22" (55.8 cm) Stakes	6	
	42" (106.6 cm) Stakes	6	
	1" (2.5 cm) Ratchet w/ 4' (1.2 m) Strap/Loop	6	
	1" (2.5 cm) x 6' (1.8 cm) Strap/Loop	6	
	2" (5.0 cm) Ratchet w/ 5' (1.5 m) Strap/Loop	6	
	2" (5.0 cm) x 8' (12.7 m) Strap/Loop	6	
	Carabiner	6	
D	Tent Top	1	
F	Center Mast Pole Pin	2	



Standard Pitch = 6.25' (1.9 m)

## 20' x 20' (6.1 m x 6.1 m) Pinnacle Series High Peak Frame Tent

No. / Letter	Description	Qty	Picture
1	9'3" (2.8 m) Spreader Bars	4	
2	8' (2.4 m) Legs	4	
3	Center Mast Assembly	1	
A	Corner Fitting	4	
B	15" (38.1 m) Spreader Inserts	4	
C	Base Plate	4	
	Cross Cables	2	
	22" (55.8 cm) Stakes	4	
	42" (106.6 cm) Stakes	4	
	1" (2.4 cm) Ratchet w/ 4' (1.2 m) Strap/Loop	4	
	1" (2.4 cm) x 6' (1.8 cm) Strap/Loop	4	
	2" (5.0 cm) Ratchet w/ 5' (1.5 m) Strap/Loop	4	
	2" (5.0 cm) x 8' (12.7 m) Strap/Loop	4	
	Carabiner	4	
D	Tent Top	1	
F	Center Mast Pole Pin	1	

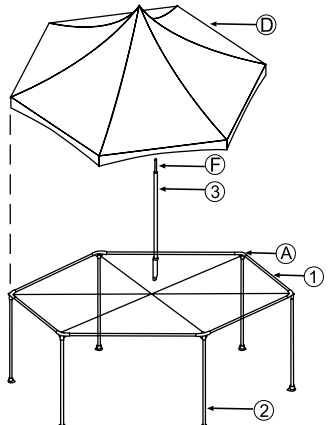


Standard Pitch = 8.75' (2.6 m)



## 20' (6.1 m) Pinnacle Series Hexagon High Peak Frame Tent

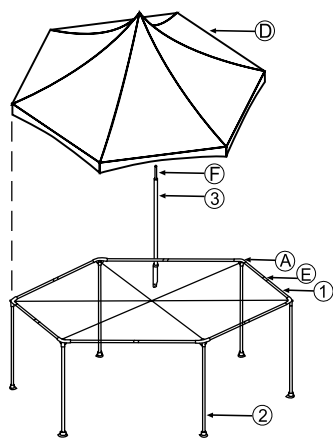
No. / Letter	Description	Qty	Picture
1	9'3" (2.8 m) Spreader Bars	6	
2	8' (2.4 m) Legs	6	
3	Center Mast Assembly	1	
A	Hexagon Corner Fitting	6	
C	Base Plate	6	
	Cross Cables	3	
	22" (55.8 cm) Stakes	6	
	42" (106.6 cm) Stakes	6	
	1" (2.4 cm) Ratchet w/ 4' (1.2 m) Strap/Loop	6	
	1" (2.4 cm) x 6' (1.8 cm) Strap/Loop	6	
	2" (5.0 cm) Ratchet w/ 5' (1.5 m) Strap/Loop	6	
	2" (5.0 cm) x 8' (12.7 m) Strap/Loop	6	
	Carabiner	6	
D	Tent Top	1	
F	Center Mast Pole Pin	1	



Standard Pitch = 8.75' (2.6 m)

# 30' (9.1 m) Pinnacle Series Hexagon High Peak Frame Tent

No. / Letter	Description	Qty	Picture
1	6'8" (2.0 m) Spreader Bars	12	
2	8' (2.4 m) Legs	6	
3	Center Mast Assembly	1	
A	Hexagon Corner Fitting	6	
C	Base Plate	6	
E	9" (22.8 cm) Spreader Inserts	6	
	Cross Cables	3	
	22" (55.8 cm) Stakes	6	
	42" (106.6 cm) Stakes	6	
	1" (2.4 cm) Ratchet w/ 4' (1.2 m) Strap/Loop	6	
	1" (2.4 cm) x 6' (1.8 cm) Strap/Loop	6	
	2" (5.0 cm) Ratchet w/ 5' (1.5 m) Strap/Loop	6	
	2" (5.0 cm) x 8' (12.7 m) Strap/Loop	6	
	Carabiner	6	
D	Tent Top	1	
F	Center Mast Pole Pin	1	



Standard Pitch = 11.4' (3.4 m)



# Classic Series Pole Tent



™ Celina's Classic Series Pole Tents are designed to be applicable to all types of events, due to the simple tensioning design. The tent top of a Classic Series Pole Tent is supported by center poles in the middle of the tent top, which are tensioned down to each of the corner and side poles. These poles are then anchored to stakes via ropes or ratchet assemblies, stabilizing the entire tent system.



## Tent Construction:

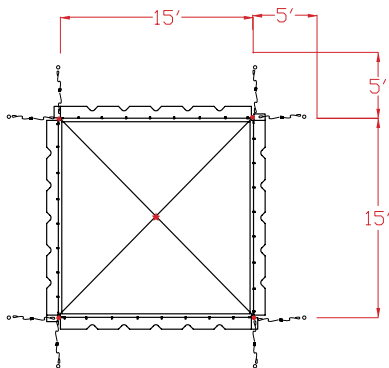
- 16 oz (540 gsm) blockout, flame resistant, mold and mildew resistant vinyl
- All panels are bonded with 1" (25.4 mm) heat sealed overlapped seams
- 5/32" (3.9 mm) Nylon sidewall rope line around perimeter of tent top
- Sidewall rope line is replaceable if ever needed
- 2" (50.8 mm) vinyl webbing multi-layered reinforcements at all pole locations
- Tent top center pole ring assembly's are sewn and bolted in place for support
- Jump ropes attached at each pole location
- Scalloped valances bound with vinyl binding
- 95% of tent top is bonded with **heat sealed** construction
- Stock colors and custom printing available by special order





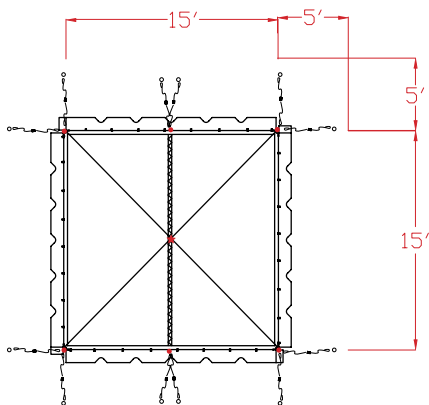
### 15' x 15' (4.6 m x 4.6 m) 1 PC Pole

Pole Tent Parts & Accessories		
Description	Size	Qty.
Side Poles	7' (2.1 m)	4
Center Pole(s)	10'6" (3.2 m)	1
Stakes	36" (91.4 cm)	8
Ratchet Buckles	2" (5.0 cm)	8
Sidewalls	20' (6.1 m)	-
Sidewalls	30' (9.1 m)	2
Standard Pitch = 3'6" (1 m)		



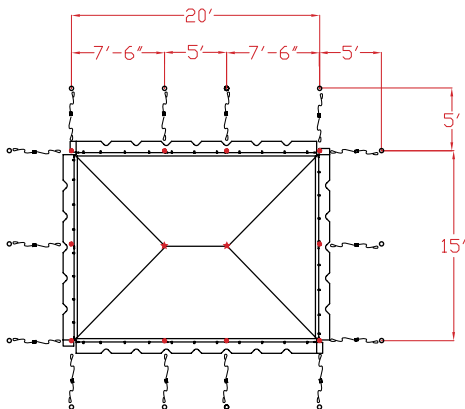
### 15' x 15' (4.6 m x 4.6 m) 2 PC Pole

Pole Tent Parts & Accessories		
Description	Size	Qty.
Side Poles	7' (2.1 m)	6
Center Pole(s)	10'6" (3.2 m)	1
Stakes	36" (91.4 cm)	12
Ratchet Buckles	2" (5.0 cm)	12
Sidewalls	20' (6.1 m)	-
Sidewalls	30' (9.1 m)	2
Standard Pitch = 3'6" (1 m)		



### 15' x 20' (4.6 m x 6.1 m) 1 PC Pole

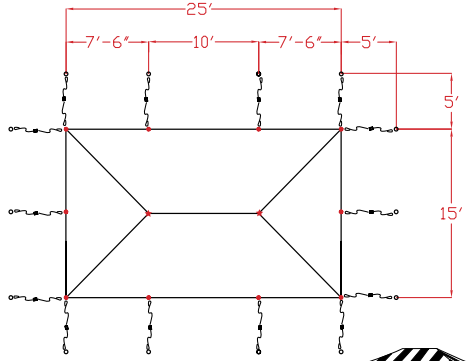
Pole Tent Parts & Accessories		
Description	Size	Qty.
Side Poles	7' (2.1 m)	10
Center Pole(s)	10'6" (3.2 m)	2
Stakes	36" (91.4 cm)	14
Ratchet Buckles	2" (5.0 cm)	14
Sidewalls	20' (6.1 m)	2
Sidewalls	30' (9.1 m)	1
Standard Pitch = 3'6" (1 m)		



Key					
Symbol					
Item Description	Side Poles	Center Pole(s)	Stake / Anchor	Guy Rope / Web	Lace Line

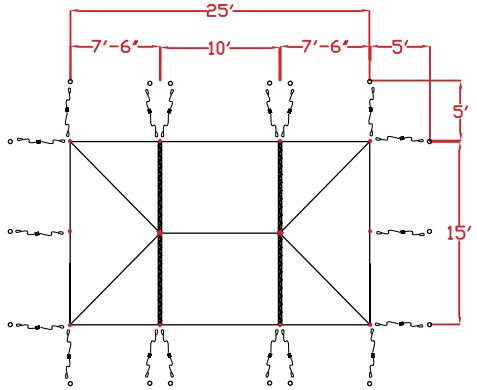
### 15' x 25' (4.6 m x 7.6 m) 1 PC Pole

Pole Tent Parts & Accessories		
Description	Size	Qty.
Side Poles	7' (2.1 m)	10
Center Pole(s)	10'6" (3.2 m)	2
Stakes	36" (91.4 cm)	14
Ratchet Buckles	2" (5.0 cm)	14
Sidewalls	20' (6.1 m)	1
Sidewalls	30' (9.1 m)	2
Standard Pitch = 3'6" (1 m)		



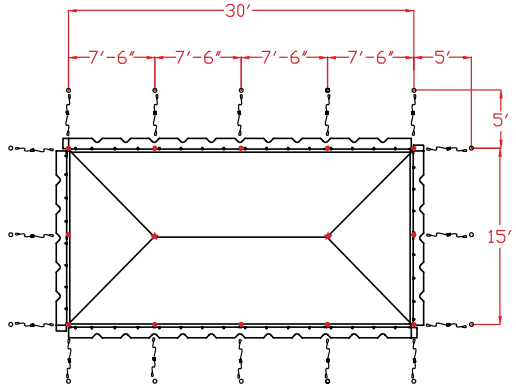
### 15' x 25' (4.6 m x 7.6 m) 3 PC Pole

Pole Tent Parts & Accessories		
Description	Size	Qty.
Side Poles	7' (2.1 m)	10
Center Pole(s)	10'6" (3.2 m)	2
Stakes	36" (91.4 cm)	18
Ratchet Buckles	2" (5.0 cm)	18
Sidewalls	20' (6.1 m)	1
Sidewalls	30' (9.1 m)	2
Standard Pitch = 3'6" (1 m)		



### 15' x 30' (4.6 m x 9.1 m) 1 PC Pole

Pole Tent Parts & Accessories		
Description	Size	Qty.
Side Poles	7' (2.1 m)	12
Center Pole(s)	10'6" (3.2 m)	2
Stakes	36" (91.4 cm)	16
Ratchet Buckles	2" (5.0 cm)	16
Sidewalls	20' (6.1 m)	-
Sidewalls	30' (9.1 m)	3
Standard Pitch = 3'6" (1 m)		



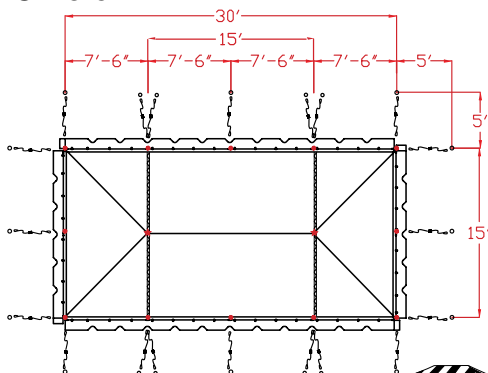
#### Key

Symbol	●	★	○	—	—
Item Description	Side Poles	Center Pole(s)	Stake / Anchor	Guy Rope / Web	Lace Line



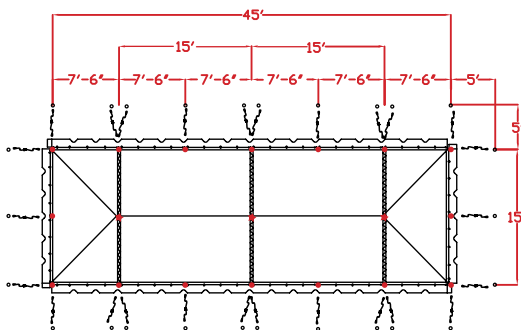
### 15' x 30' (4.6 m x 9.1 m) 3 PC Pole

Pole Tent Parts & Accessories		
Description	Size	Qty.
Side Poles	7' (2.1 m)	12
Center Pole(s)	10'6" (3.2 m)	2
Stakes	36" (91.4 cm)	20
Ratchet Buckles	2" (5.0 cm)	20
Sidewalls	20' (6.1 m)	-
Sidewalls	30' (9.1 m)	3
Standard Pitch = 3'6" (1 m)		



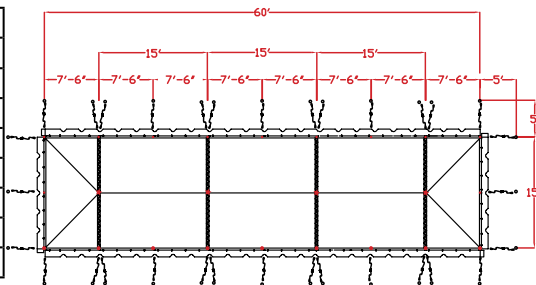
### 15' x 45' (4.6 m x 13.7 m) 4 PC Pole

Pole Tent Parts & Accessories		
Description	Size	Qty.
Side Poles	7' (2.1 m)	16
Center Pole(s)	10'6" (3.2 m)	3
Stakes	36" (91.4 cm)	26
Ratchet Buckles	2" (5.0 cm)	26
Sidewalls	20' (6.1 m)	-
Sidewalls	30' (9.1 m)	4
Standard Pitch = 3'6" (1 m)		



### 15' x 60' (4.6 m x 18.3 m) 5 PC Pole

Pole Tent Parts & Accessories		
Description	Size	Qty.
Side Poles	7' (2.1 m)	20
Center Pole(s)	10'6" (3.2 m)	4
Stakes	36" (91.4 cm)	32
Ratchet Buckles	2" (5.0 cm)	32
Sidewalls	20' (6.1 m)	-
Sidewalls	30' (9.1 m)	5
Standard Pitch = 3'6" (1 m)		



Key					
Symbol	●	★	○	—○—○—○	—○—○—○
Item Description	Side Poles	Center Pole(s)	Stake / Anchor	Guy Rope / Web	Lace Line



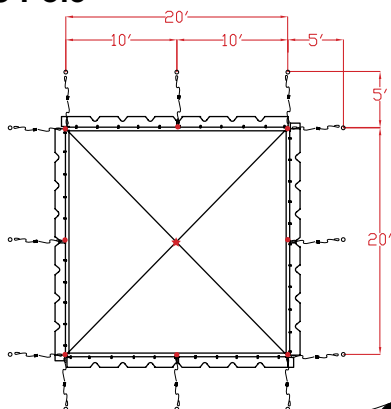
# 15' (4.6 m) Wide

	15'/ 4.5 m	20'/ 6 m	25'/ 7.6 m	30'/ 9.1 m	45'/ 13.7 m	60'/ 18.2 m	75'/ 22.8 m	90'/ 27.4 m	105'/ 32 m	120'/ 36.5 m	135'/ 41.1 m	150'/ 45.7 m	165'/ 50.2 m
<b>15' (4.6 m) Wide Pole</b>													
Center Poles - 10'6" (3.2 m)	1	2	2	2	3	4	5	6	7	8	9	10	11
Side Poles	6	10	10	12	16	20	24	28	32	36	40	44	48
Quarter Poles	---	---	---	---	---	---	---	---	---	---	---	---	---
Stakes	12	18	18	20	26	32	38	44	50	56	62	68	74
Ratchet Buckles	12	18	18	20	26	32	38	44	50	56	62	68	74
20' (6 m) Sidewalls (Yellow Tab)	---	2	1	---	---	---	---	---	---	---	---	---	---
30' (9.1 m) Sidewalls (Red Tab)	2	1	2	3	4	5	6	7	8	9	10	11	12
Square Footage/ Square Meters	225 ft²/ 20.9 m²	300 ft²/ 27.8 m²	375 ft²/ 34.8 m²	450 ft²/ 41.8 m²	675 ft²/ 62.7 m²	900 ft²/ 83.6 m²	1125 ft²/ 104.5 m²	1350 ft²/ 125.4 m²	1575 ft²/ 146.3 m²	1800 ft²/ 167.2 m²	2025 ft²/ 188.1 m²	2250 ft²/ 209.0 m²	2475 ft²/ 229.9 m²

<b>15' (4.6 m) Wide Pole</b>	180'/ 54.8 m	195'/ 59.4 m	210'/ 64 m	225'/ 68.5 m	240'/ 73.1 m	255'/ 77.7 m	270'/ 82.2 m	285'/ 86.8 m	300'/ 91.4 m	315'/ 96 m	330'/ 100.5 m	345'/ 105.1 m	360'/ 109.7 m
Center Poles - 10'6" (3.2 m)	12	13	14	15	16	17	18	19	20	22	24	26	28
Side Poles	52	56	60	64	68	72	76	80	84	88	92	96	100
Quarter Poles	---	---	---	---	---	---	---	---	---	---	---	---	---
Stakes	80	86	92	98	104	110	116	122	128	134	140	146	152
Ratchet Buckles	80	86	92	98	104	110	116	122	128	134	140	146	152
20' (6.1 m) Sidewalls (Yellow Tab)	---	---	---	---	---	---	---	---	---	---	---	---	---
30' (9.1 m) Sidewalls (Red Tab)	13	14	15	16	17	18	19	20	21	22	23	24	25
Square Footage/ Square Meters	2700 ft²/ 250.8 m²	2925 ft²/ 271.7 m²	3150 ft²/ 292.6 m²	3375 ft²/ 311.3 m²	3600 ft²/ 334.4 m²	3825 ft²/ 355.3 m²	4050 ft²/ 376.2 m²	4275 ft²/ 397.1 m²	4500 ft²/ 418.0 m²	4725 ft²/ 438.9 m²	4950 ft²/ 459.8 m²	5175 ft²/ 480.7 m²	5400 ft²/ 501.6 m²

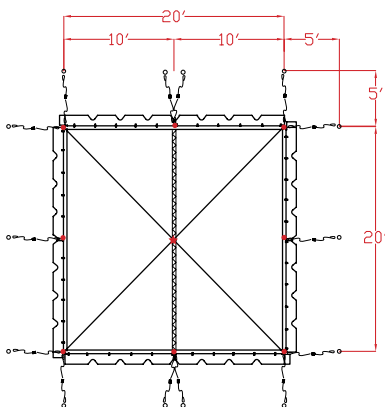
### 20' x 20' (6.1 m x 6.1 m) 1 PC Pole

Pole Tent Parts & Accessories		
Description	Size	Qty.
Side Poles	7' (2.1 m)	8
Center Pole(s)	14' (4.2 m)	1
Stakes	36" (91.4 cm)	12
Ratchet Buckles	2" (5.0 cm)	12
Sidewalls	20' (6.1 m)	4
Sidewalls	30' (9.1 m)	-
Standard Pitch = 7' (2.1 m)		



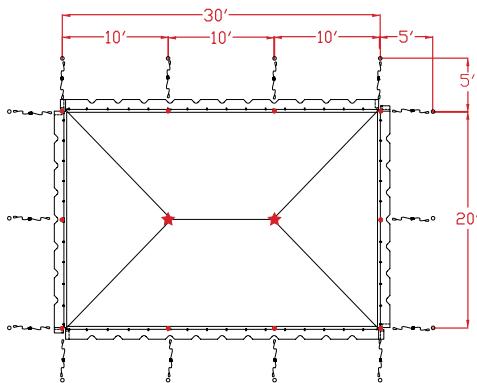
### 20' x 20' (6.1 m x 6.1 m) 2 PC Pole

Pole Tent Parts & Accessories		
Description	Size	Qty.
Side Poles	7' (2.1 m)	8
Center Pole(s)	14' (4.2 m)	1
Stakes	36" (91.4 cm)	14
Ratchet Buckles	2" (5.0 cm)	14
Sidewalls	20' (6.1 m)	4
Sidewalls	30' (9.1 m)	-
Standard Pitch = 7' (2.1 m)		



### 20' x 30' (6.1 m x 9.1 m) 1 PC Pole

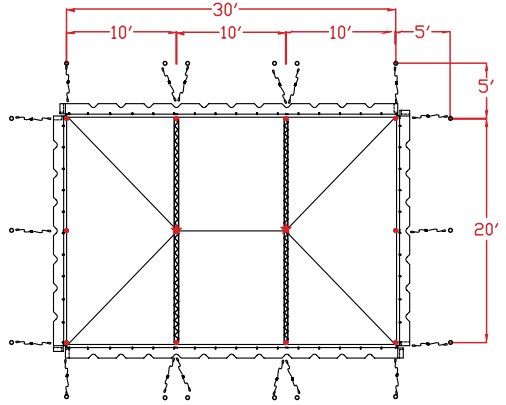
Pole Tent Parts & Accessories		
Description	Size	Qty.
Side Poles	7' (2.1 m)	10
Center Poles(s)	14' (4.2 m)	2
Stakes	36" (91.4 cm)	14
Ratchet Buckles	2" (5.0 cm)	14
Sidewalls	20' (6.1 m)	2
Sidewalls	30' (9.1 m)	2
Standard Pitch = 7' (2.1 m)		



Key					
Symbol					
Item Description	Side Poles	Center Pole(s)	Stake / Anchor	Guy Rope / Web	Lace Line

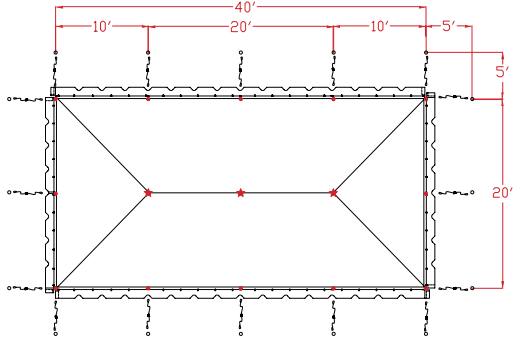
## 20' x 30' (6.1 m x 9.1 m) 3 PC Pole

Pole Tent Parts & Accessories		
Description	Size	Qty.
Side Poles	7' (2.1 m)	10
Center Pole(s)	14' (4.2 m)	2
Stakes	36" (91.4 cm)	18
Ratchet Buckles	2" (5.0 cm)	18
Sidewalls	20' (6.1 m)	2
Sidewalls	30' (9.1 m)	2
Standard Pitch = 7' (2.1 m)		



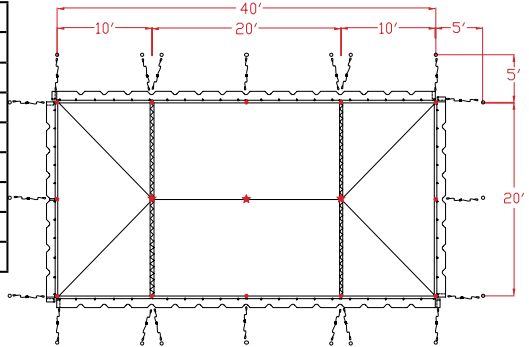
## 20' x 40' (6.1 m x 12.2 m) 1 PC Pole

Pole Tent Parts & Accessories		
Description	Size	Qty.
Side Poles	7' (2.1 m)	12
Center Pole(s)	14' (4.2 m)	3
Stakes	36" (91.4 cm)	16
Ratchet Buckles	2" (5.0 cm)	16
Sidewalls	20' (6 m)	6
Sidewalls	30' (9.1 m)	-
Standard Pitch = 7' (2.1 m)		



## 20' x 40' (6.1 m x 12.2 m) 3 PC Pole

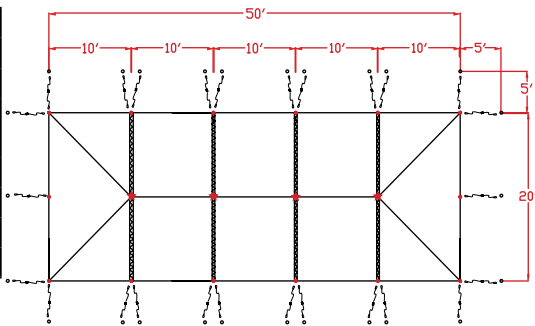
Pole Tent Parts & Accessories		
Description	Size	Qty.
Side Poles	7' (2.1 m)	12
Center Pole(s)	14' (4.2 m)	3
Stakes	36" (91.4 cm)	20
Ratchet Buckles	2" (5.0 cm)	20
Sidewalls	20' (6.1 m)	6
Sidewalls	30' (9.1 m)	-
Standard Pitch = 7' (2.1 m)		



Key					
Symbol					
Item Description	Side Poles	Center Pole(s)	Stake / Anchor	Guy Rope / Web	Lace Line

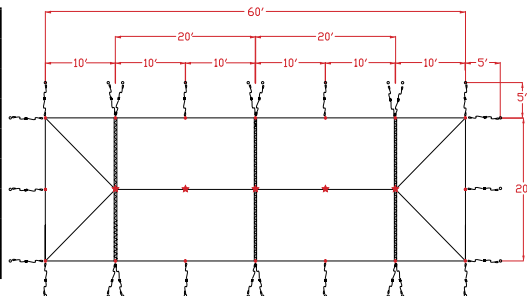
## 20' x 50' (6.1 m x 15.2 m) 5 PC Pole

Pole Tent Parts & Accessories		
Description	Size	Qty.
Side Poles	7' (2.1 m)	14
Center Pole(s)	14' (4.2 m)	4
Stakes	36" (91.4 cm)	26
Ratchet Buckles	2" (5.0 cm)	26
Sidewalls	20' (6.1 m)	4
Sidewalls	30' (9.1 m)	2
Standard Pitch = 7' (2.1 m)		



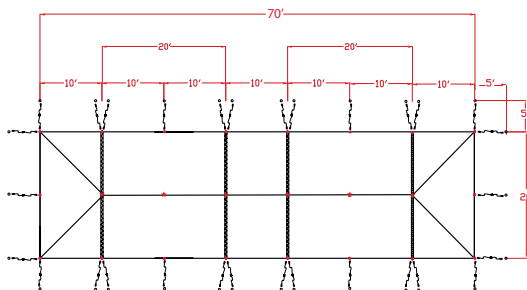
## 20' x 60' (6.1 m x 18.3 m) 4 PC Pole



Pole Tent Parts & Accessories		
Description	Size	Qty.
Side Poles	7' (2.1 m)	16
Center Pole(s)	14' (4.2 m)	5
Stakes	36" (91.4 cm)	26
Ratchet Buckles	20' (6.1 m)	26
Sidewalls	20' (6 m)	2
Sidewalls	30' (9.1 m)	4
Standard Pitch = 7' (2.1 m)		



## 20' x 70' (6.1 m x 21.3 m) 5 PC Pole

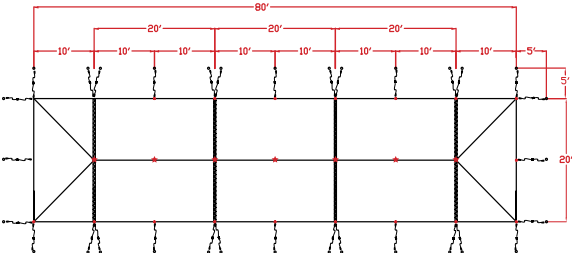
Pole Tent Parts & Accessories		
Description	Size	Qty.
Side Poles	7' (2.1 m)	18
Center Pole(s)	14' (4.2 m)	6
Stakes	36" (91.4 cm)	36
Ratchet Buckles	2" (5.0 cm)	36
Sidewalls	20' (6.1 m)	-
Sidewalls	30' (9.1 m)	6
Standard Pitch = 7' (2.1 m)		



Key					
Symbol	<span style="color: red;">●</span>	<span style="color: red;">★</span>	○		
Item Description	Side Poles	Center Pole(s)	Stake / Anchor	Guy Rope / Web	Lace Line

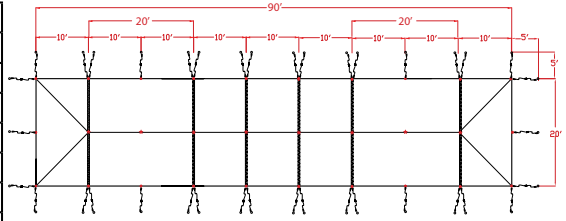
### 20' x 80' (6.1 m x 24.4 m) 5 PC Pole

Pole Tent Parts & Accessories		
Description	Size	Qty.
Side Poles	7' (2.1 m)	20
Center Pole(s)	14' (4.2 m)	7
Stakes	36" (91.4 cm)	32
Ratchet Buckles	2" (5.0 cm)	32
Sidewalls	20' (6.1 m)	4
Sidewalls	30' (9.1 m)	4
Standard Pitch = 7' (2.1 m)		



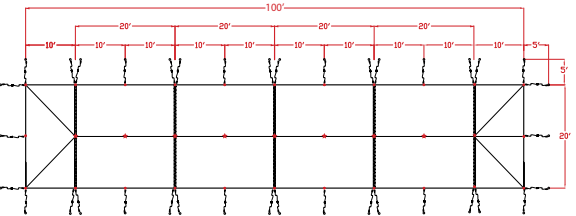
### 20' x 90' (6.1 m x 27.4 m) 7 PC Pole

Pole Tent Parts & Accessories		
Description	Size	Qty.
Side Poles	7' (2.1 m)	22
Center Pole(s)	14' (4.2 m)	8
Stakes	36" (91.4 cm)	38
Ratchet Buckles	2" (5.0 cm)	38
Sidewalls	20' (6.1 m)	2
Sidewalls	30' (9.1 m)	6
Standard Pitch = 7' (2.1 m)		



### 20' x 100' (6.1 m x 30.5 m) 6 PC Pole

Pole Tent Parts & Accessories		
Description	Size	Qty.
Side Poles	7' (2.1 m)	24
Center Pole(s)	14' (4.2 m)	9
Stakes	36" (91.4 cm)	38
Ratchet Buckles	2" (5.0 cm)	38
Sidewalls	20' (6.1 m)	12
Sidewalls	30' (9.1 m)	-
Standard Pitch = 7' (2.1 m)		



Key					
Symbol					
Item Description	Side Poles	Center Pole(s)	Stake / Anchor	Guy Rope / Web	Lace Line



# 20' (6.1 m) Wide

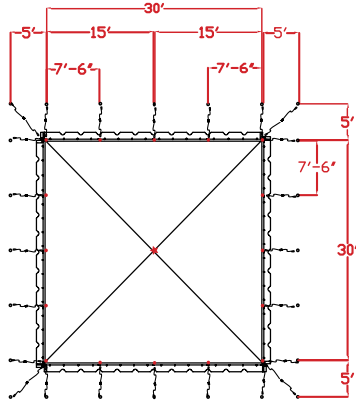
Tents figured with 10' (3 m) and/or 20' (6.1 m) Mid Combinations

<b>20' (6.1 m) Wide Pole</b>	20'/ 6.1 m	30'/ 9.1 m	40'/ 12.1 m	50'/ 15.2 m	60'/ 18.2 m	70'/ 21.3 m	80'/ 24.3 m	90'/ 27.4 m	100'/ 30 m	110'/ 33.5 m	120'/ 36.5 m	130'/ 39.6 m	140'/ 42.3 m	150'/ 45.7 m
Center Poles - 14'(4.2 m)	1	2	3	4	5	6	7	8	9	10	11	12	13	14
Side Poles	8	10	12	14	16	18	20	22	24	26	28	30	32	34
Quarter Poles	---	---	---	---	---	---	---	---	---	---	---	---	---	---
Stakes	12	18	20	26	26	36	32	38	38	46	48	52	54	58
Ratchet Buckles	12	18	20	26	26	36	32	38	38	46	48	52	54	58
20' (6.1 m) Sidewalls (Yellow Tab)	4	2	6	4	2	6	4	2	6	4	2	6	4	2
30' (9.1 m) Sidewalls (Red Tab)	---	2	---	2	4	2	4	6	4	6	8	6	8	10
Square Footage/ Square Meters	400 ft <sup>2</sup> / 37.1 m <sup>2</sup>	600 ft <sup>2</sup> / 55.7	800 ft <sup>2</sup> / 74.3	1000 ft <sup>2</sup> / 92.9	1200 ft <sup>2</sup> / 111.4	1400 ft <sup>2</sup> / 130.0	1600 ft <sup>2</sup> / 148.6	1800 ft <sup>2</sup> / 167.2	2000 ft <sup>2</sup> / 185.8	2200 ft <sup>2</sup> / 204.3	2400 ft <sup>2</sup> / 222.9	2600 ft <sup>2</sup> / 241.5	2800 ft <sup>2</sup> / 260.1	3000 ft <sup>2</sup> / 278.7

<b>20' (6.1 m) Wide Pole</b>	160'/ 48.7 m	170'/ 54.8 m	180'/ 54.8 m	190'/ 57.9 m	200'/ 60.9 m	210'/ 64 m	220'/ 67 m	230'/ 70.1 m	240'/ 73.1 m	250'/ 73.1 m	260'/ 79.2 m	270'/ 82.2 m	280'/ 85.3 m	290'/ 88.3 m
Center Poles - 14'(4.2 m)	15	16	17	18	19	20	21	22	23	24	25	26	27	28
Side Poles	36	38	40	42	44	46	48	50	52	54	56	58	60	62
Quarter Poles	---	---	---	---	---	---	---	---	---	---	---	---	---	---
Stakes	60	64	66	70	72	76	78	82	84	88	90	94	96	100
Ratchet Buckles	60	64	66	70	72	76	78	82	84	88	90	94	96	100
20' (6.1 m) Sidewalls (Yellow Tab)	6	4	2	6	4	2	6	4	2	6	4	2	6	4
30' (9.1 m) Sidewalls (Red Tab)	8	10	12	10	12	14	12	14	16	14	16	18	16	18
Square Footage/ Square Meters	3200 ft <sup>2</sup> / 297.2 m <sup>2</sup>	3400 ft <sup>2</sup> / 315.8 m <sup>2</sup>	3600 ft <sup>2</sup> / 334.4 m <sup>2</sup>	3800 ft <sup>2</sup> / 353.0 m <sup>2</sup>	4000 ft <sup>2</sup> / 371.6 m <sup>2</sup>	4200 ft <sup>2</sup> / 390.1 m <sup>2</sup>	4400 ft <sup>2</sup> / 408.7 m <sup>2</sup>	4600 ft <sup>2</sup> / 427.3 m <sup>2</sup>	4800 ft <sup>2</sup> / 445.9 m <sup>2</sup>	5000 ft <sup>2</sup> / 464.5 m <sup>2</sup>	5200 ft <sup>2</sup> / 483.0 m <sup>2</sup>	5400 ft <sup>2</sup> / 501.6 m <sup>2</sup>	5600 ft <sup>2</sup> / 520.2 m <sup>2</sup>	5800 ft <sup>2</sup> / 538.8 m <sup>2</sup>

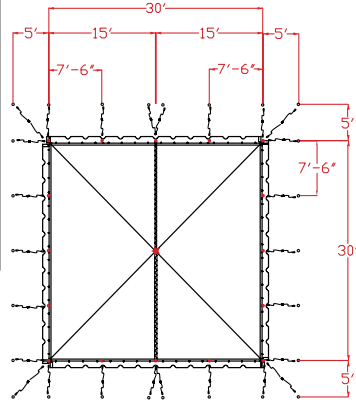
### 30' x 30' (9.1 m x 9.1 m) 1 PC Pole

Pole Tent Parts & Accessories		
Description	Size	Qty.
Side Poles	7' (2.1 m)	16
Center Pole(s)	16' (4.8 m)	1
Stakes	42" (106.6 cm)	24
Ratchet Buckles	2" (5.0 cm)	24
Sidewalls	20' (6.1 m)	-
Sidewalls	30' (9.1 m)	4
Standard Pitch = 9' (2.7 m)		



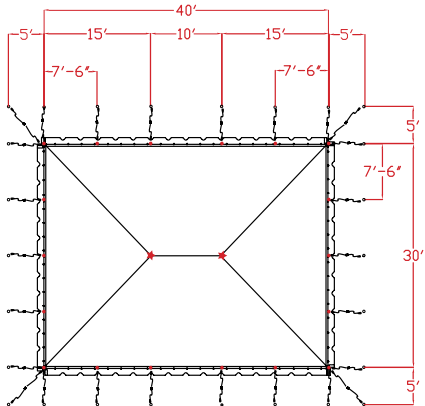
### 30' x 30' (9.1 m x 9.1 m) 2 PC Pole

Pole Tent Parts & Accessories		
Description	Size	Qty.
Side Poles	7' (2.1 m)	16
Center Pole(s)	16' (4.8 m)	1
Stakes	42" (106.6 cm)	26
Ratchet Buckles	2" (5.0 cm)	26
Sidewalls	20' (6.1 m)	-
Sidewalls	30' (9.1 m)	4
Standard Pitch = 9' (2.7 m)		



### 30' x 40' (9.1 m x 12.2 m) 1 PC Pole

Pole Tent Parts & Accessories		
Description	Size	Qty.
Side Poles	7' (2.1 m)	18
Center Pole(s)	16' (4.8 m)	2
Stakes	42" (106.6 cm)	26
Ratchet Buckles	2" (5.0 cm)	26
Sidewalls	20' (6.1 m)	4
Sidewalls	30' (9.1 m)	2
Standard Pitch = 9' (2.7 m)		

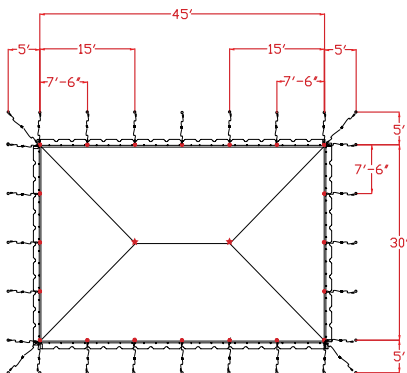


Key					
Symbol	●	★	○	— — — — —	— — — — —
Item Description	Side Poles	Center Pole(s)	Stake / Anchor	Guy Rope / Web	Lace Line



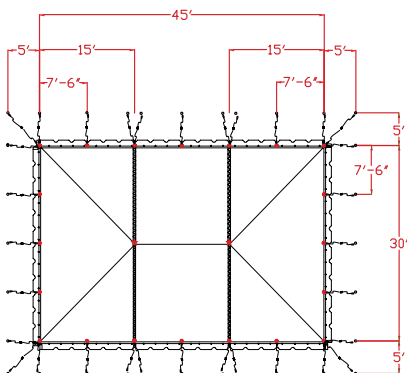
### 30' x 45' (9.1 m x 13.7 m) 1 PC Pole

Pole Tent Parts & Accessories		
Description	Size	Qty.
Side Poles	7' (2.1 m)	20
Center Pole(s)	16' (4.8 m)	2
Stakes	42" (106.6 cm)	28
Ratchet Buckles	2" (5.0 cm)	28
Sidewalls	20' (6.1 m)	-
Sidewalls	30' (9.1 m)	5
Standard Pitch = 9' (2.7 m)		



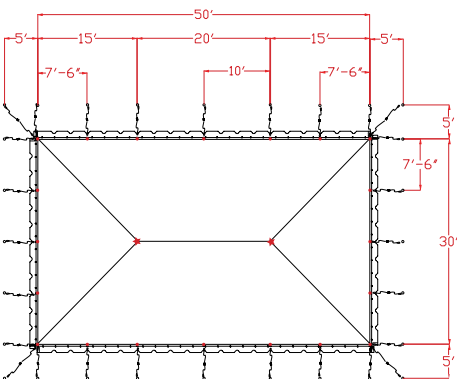
### 30' x 45' (9.1 m x 13.7 m) 3 PC Pole

Pole Tent Parts & Accessories		
Description	Size	Qty.
Side Poles	7' (2.1 m)	20
Center Pole(s)	16' (4.8 m)	2
Stakes	42" (106.6 cm)	32
Ratchet Buckles	2" (5.0 cm)	32
Sidewalls	20' (6.1 m)	-
Sidewalls	30' (9.1 m)	5
Standard Pitch = 9' (2.7 m)		



### 30' x 50' (9.1 m x 15.2 m) 1 PC Pole

Pole Tent Parts & Accessories		
Description	Size	Qty.
Side Poles	7' (2.1 m)	20
Center Pole(s)	16' (4.8 m)	2
Stakes	42" (106.6 cm)	28
Ratchet Buckles	2" (5.0 cm)	28
Sidewalls	20' (6.1 m)	2
Sidewalls	30' (9.1 m)	4
Standard Pitch = 9' (2.7 m)		

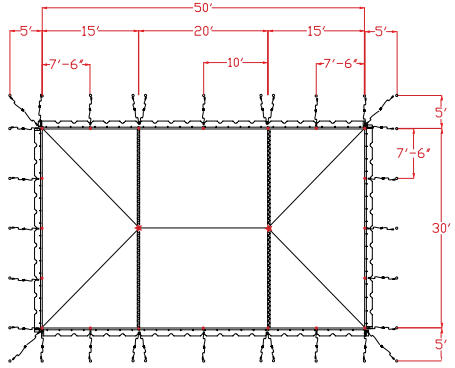


#### Key

Symbol	●	★	○		
Item Description	Side Poles	Center Pole(s)	Stake / Anchor	Guy Rope / Web	Lace Line

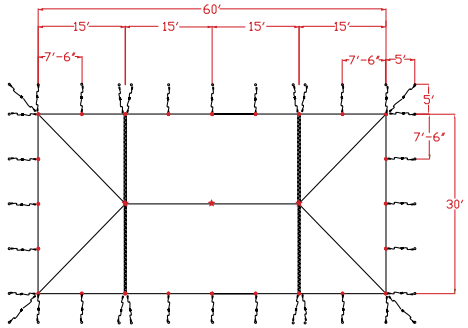
### 30' x 50' (9.1 m x 15.2 m) 3 PC Pole

Pole Tent Parts & Accessories		
Description	Size	Qty.
Side Poles	7' (2.1 m)	20
Center Pole(s)	16' (4.8 m)	2
Stakes	42" (106.6 cm)	32
Ratchet Buckles	2" (5.0 cm)	32
Sidewalls	20' (6.1 m)	2
Sidewalls	30' (9.1 m)	4
Standard Pitch = 9' (2.7 m)		



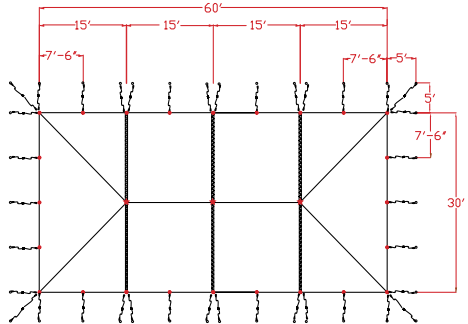
### 30' x 60' (9.1 m x 18.3 m) 3 PC Pole

Pole Tent Parts & Accessories		
Description	Size	Qty.
Side Poles	7' (2.1 m)	24
Center Pole(s)	16' (4.8 m)	3
Stakes	42" (106.6 cm)	36
Ratchet Buckles	2" (5.0 cm)	36
Sidewalls	20' (6.1 m)	-
Sidewalls	30' (9.1 m)	6
Standard Pitch = 9' (2.7 m)		



### 30' x 60' (9.1 m x 18.3 m) 4 PC Pole

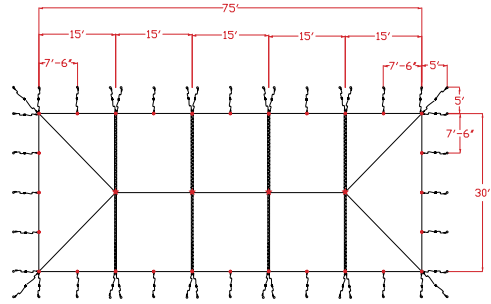
Pole Tent Parts & Accessories		
Description	Size	Qty.
Side Poles	7' (2.1 m)	24
Center Pole(s)	16' (4.8 m)	3
Stakes	42" (106.6 cm)	38
Ratchet Buckles	2" (5.0 cm)	38
Sidewalls	20' (6.1 m)	-
Sidewalls	30' (9.1 m)	6
Standard Pitch = 9' (2.7 m)		



Key					
Symbol					
Item Description	Side Poles	Center Pole(s)	Stake / Anchor	Guy Rope / Web	Lace Line

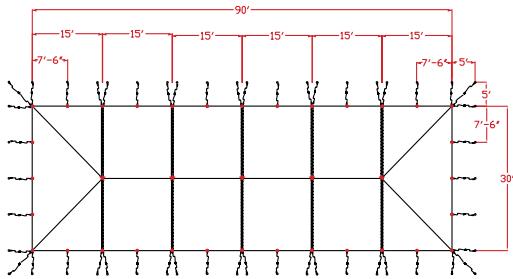
## 30' x 75' (9.1 m x 22.9 m) 5 PC Pole

Pole Tent Parts & Accessories		
Description	Size	Qty.
Side Poles	7' (2.1 m)	28
Center Pole(s)	16' (4.8 m)	4
Stakes	42" (106.6 cm)	44
Ratchet Buckles	2" (5.0 cm)	44
Sidewalls	20' (6.1 m)	-
Sidewalls	30' (9.1 m)	7
Standard Pitch = 9' (2.7 m)		



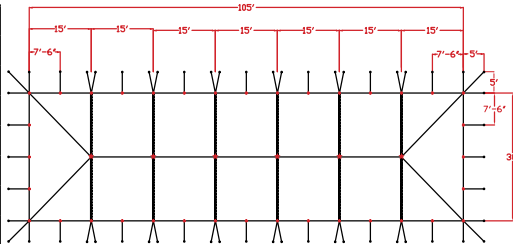
## 30' x 90' (9.1 m x 27.4 m) 6 PC Pole

Pole Tent Parts & Accessories		
Description	Size	Qty.
Side Poles	7' (2.1 m)	32
Center Pole(s)	16' (4.8 m)	5
Stakes	42" (106.6 cm)	50
Ratchet Buckles	2" (5.0 cm)	50
Sidewalls	20' (6.1 m)	-
Sidewalls	30' (9.1 m)	8
Standard Pitch = 9' (2.7 m)		



## 30' x 105' (9.1 m x 32 m) 7 PC Pole

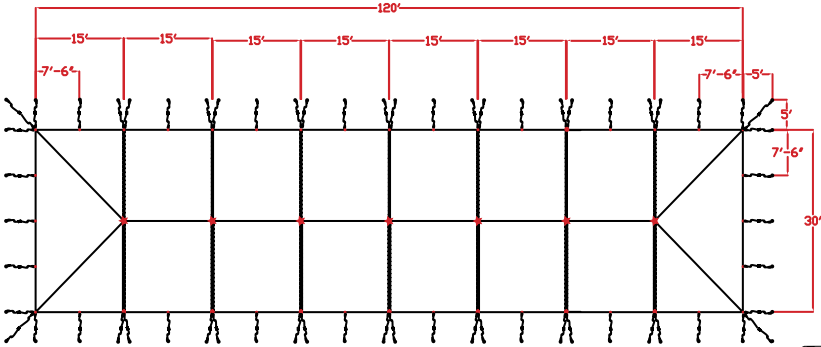
Pole Tent Parts & Accessories		
Description	Size	Qty.
Side Poles	7' (2.1 m)	36
Center Pole(s)	16' (4.8 m)	6
Stakes	42" (106.6 cm)	56
Ratchet Buckles	2" (5.0 cm)	56
Sidewalls	20' (6.1 m)	-
Sidewalls	30' (9.1 m)	9
Standard Pitch = 9' (2.7 m)		



Key					
Symbol					
Item Description	Side Poles	Center Pole(s)	Stake / Anchor	Guy Rope / Web	Lace Line

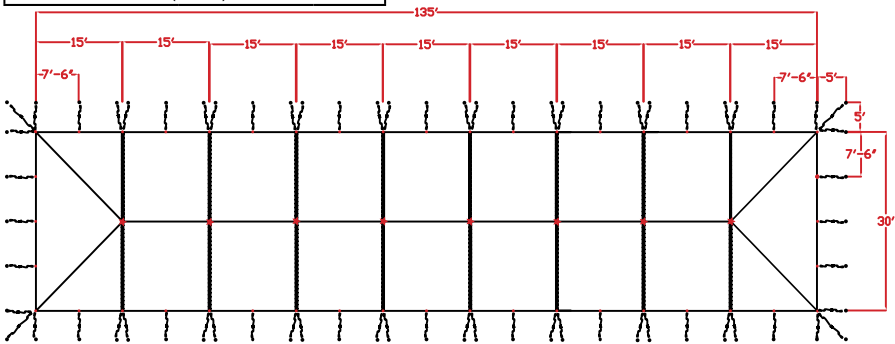
### 30' x 120' (9.1 m x 36.6 m) 8 PC Pole

Pole Tent Parts & Accessories		
Description	Size	Qty.
Side Poles	7' (2.1 m)	40
Center Pole(s)	16' (4.8 m)	7
Stakes	42" (106.6 cm)	62
Ratchet Buckles	2" (5.0 cm)	62
Sidewalls	20' (6.1 m)	-
Sidewalls	30' (9.1 m)	10
Standard Pitch = 9' (2.7 m)		



### 30' x 135' (9.1 m x 41.2 m) 9 PC Pole

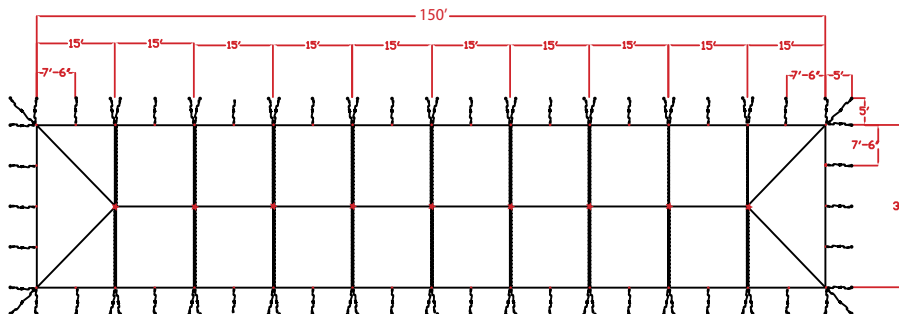
Pole Tent Parts & Accessories		
Description	Size	Qty.
Side Poles	7' (2.1 m)	44
Center Pole(s)	16' (4.8 m)	8
Stakes	42" (106.6 cm)	68
Ratchet Buckles	2" (5.0 cm)	68
Sidewalls	20' (6.1 m)	-
Sidewalls	30' (9.1 m)	11
Standard Pitch = 9' (2.7 m)		



Key					
Symbol					
Item Description	Side Poles	Center Pole(s)	Stake / Anchor	Guy Rope / Web	Lace Line

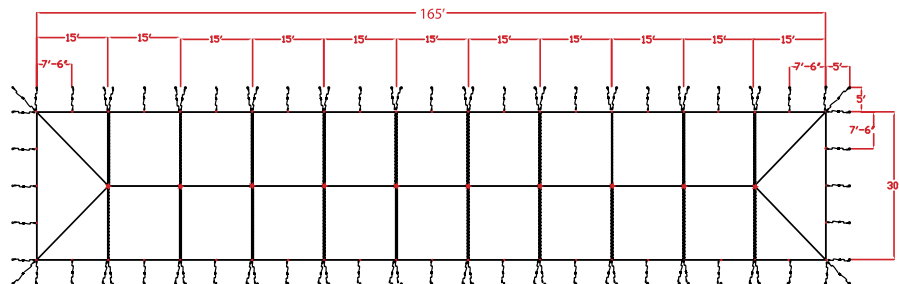
### 30' x 150' (9.1 m x 45.7 m) 10 PC Pole

Pole Tent Parts & Accessories		
Description	Size	Qty.
Side Poles	7' (2.1 m)	48
Center Pole(s)	16' (4.8 m)	9
Stakes	42" (106.6 cm)	74
Ratchet Buckles	2" (5.0 cm)	74
Sidewalls	20' (6.1 m)	-
Sidewalls	30' (9.1 m)	12
Standard Pitch = 9' (2.7 m)		



### 30' x 165' (9.1 m x 50.3 m) 11 PC Pole

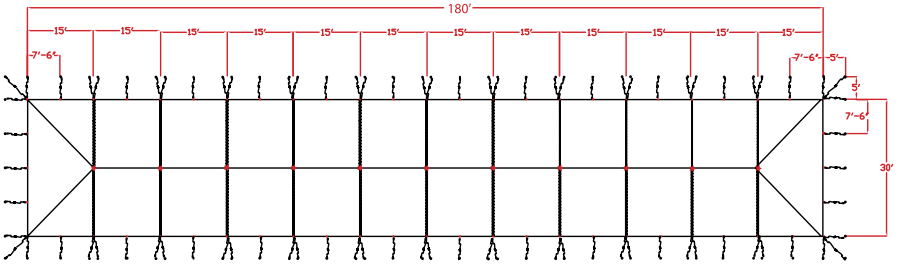
Pole Tent Parts & Accessories		
Description	Size	Qty.
Side Poles	7' (2.1 m)	52
Center Pole(s)	16' (4.8 m)	10
Stakes	42" (106.6 cm)	80
Ratchet Buckles	2" (5.0 cm)	80
Sidewalls	20' (6.1 m)	-
Sidewalls	30' (9.1 m)	13
Standard Pitch = 9' (2.7 m)		



Key					
Symbol	●	★	○	—○—○—	—●—●—
Item Description	Side Poles	Center Pole(s)	Stake / Anchor	Guy Rope / Web	Lace Line

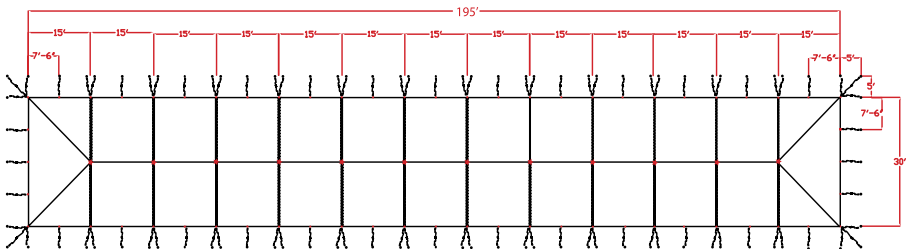
### 30' x 180' (9.1 m x 54.8 m) 12 PC Pole

Pole Tent Parts & Accessories		
Description	Size	Qty.
Side Poles	7' (2.1 m)	56
Center Pole(s)	16' (4.8 m)	11
Stakes	42" (106.6 cm)	86
Ratchet Buckles	2" (5.0 cm)	86
Sidewalls	20' (6.1 m)	-
Sidewalls	30' (9.1 m)	14
Standard Pitch = 9' (2.7 m)		



### 30' x 195' (9.1 m x 59.4 m) 13 PC Pole

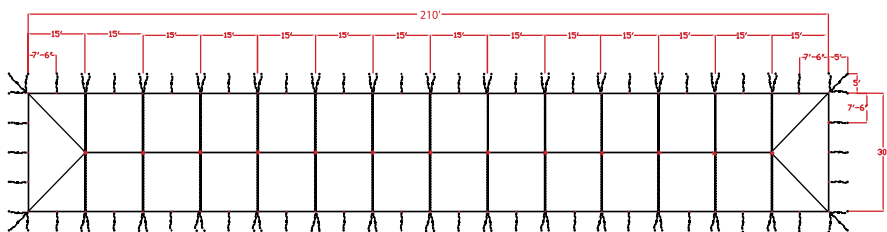
Pole Tent Parts & Accessories		
Description	Size	Qty.
Side Poles	7' (2.1 m)	60
Center Pole(s)	16' (4.8 m)	12
Stakes	42" (106.6 cm)	92
Ratchet Buckles	2" (5.0 cm)	92
Sidewalls	20' (6.1 m)	-
Sidewalls	30' (9.1 m)	15
Standard Pitch = 9' (2.7 m)		



Key					
Symbol					
Item Description	Side Poles	Center Pole(s)	Stake / Anchor	Guy Rope / Web	Lace Line

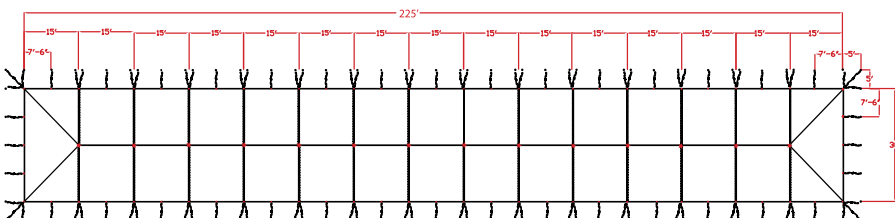
### 30' x 210' (9.1 m x 64 m) 14 PC Pole

Pole Tent Parts & Accessories		
Description	Size	Qty.
Side Poles	7' (2.1 m)	64
Center Pole(s)	16' (4.8 m)	13
Stakes	42" (106.6 cm)	98
Ratchet Buckles	2" (5.0 cm)	98
Sidewalls	20' (6.1 m)	-
Sidewalls	30' (9.1 m)	16
Standard Pitch = 9' (2.7 m)		



### 30' x 225' (9.1 m x 68.6 m) 15 PC Pole

Pole Tent Parts & Accessories		
Description	Size	Qty.
Side Poles	7' (2.1 m)	68
Center Pole(s)	16' (4.8 m)	14
Stakes	42" (106.6 cm)	104
Ratchet Buckles	2" (5.0 cm)	104
Sidewalls	20' (6.1 m)	-
Sidewalls	30' (9.1 m)	17
Standard Pitch = 9' (2.7 m)		



Key					
Symbol	●	★	○	— — — — —	— — — — —
Item Description	Side Poles	Center Pole(s)	Stake / Anchor	Guy Rope / Web	Lace Line



# CLASSIC 30' (9.1 m) Wide

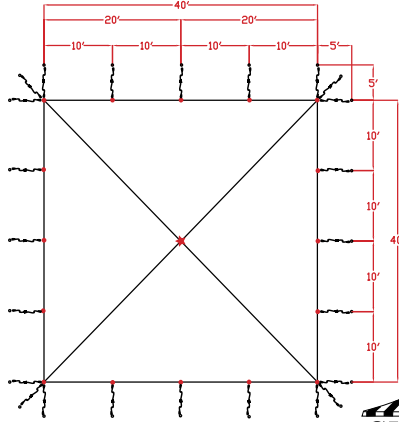
<b>30' (9.1 m) Wide Pole</b>	<b>30'/</b> 9.1 m	<b>40'/</b> 12.1 m	<b>50'/</b> 15.2 m	<b>60'/</b> 18.2 m	<b>75'/</b> 22.8 m	<b>90'/</b> 27.4 m	<b>105'/</b> 32 m	<b>120'/</b> 36.5 m	<b>135'/</b> 41.1 m	<b>150'/</b> 45.7 m	<b>165'/</b> 50.2 m	<b>180'/</b> 54.8 m	<b>195'/</b> 59.4 m	<b>210'/</b> 64 m
Center Poles - 16' (4.8m)	1	2	2	3	4	5	6	7	8	9	10	11	12	13
Side Poles	16	18	20	24	28	32	36	40	44	48	52	56	60	64
Quarter Poles	---	---	---	---	---	---	---	---	---	---	---	---	---	---
Stakes	26	30	32	38	44	50	56	62	68	74	80	86	92	98
Ratchet Buckles	26	30	32	38	44	50	56	62	68	74	80	86	92	98
20' (6.1 m) Sidewalls (Yellow Tab)	---	4	2	---	---	---	---	---	---	---	---	---	---	---
30' (9.1 m) Sidewalls (Red Tab)	4	2	4	6	7	8	9	10	11	12	13	14	15	16
Square Footage/ Square Meters	900 ft²/ 83.6 m²	1200 ft²/ 111.4 m²	1500 ft²/ 139.3 m²	1800 ft²/ 167.2 m²	2250 ft²/ 209.0 m²	2700 ft²/ 250.8 m²	3150 ft²/ 292.6 m²	3600 ft²/ 334.4 m²	4050 ft²/ 376.2 m²	4500 ft²/ 418.0 m²	4950 ft²/ 459.8 m²	5400 ft²/ 501.6 m²	5850 ft²/ 543.4 m²	6300 ft²/ 585.2 m²

<b>30' (9.1 m) Wide Pole</b>	<b>225'/</b> 68 m	<b>240'/</b> 73.1 m	<b>255'/</b> 77.7 m	<b>270'/</b> 82.2 m	<b>285'/</b> 86.8 m	<b>300'/</b> 91.4 m	<b>315'/</b> 96 m	<b>330'/</b> 100.5 m	<b>345'/</b> 105.1 m	<b>360'/</b> 109.7 m	<b>375'/</b> 114.3 m	<b>390'/</b> 118.8 m	<b>405'/</b> 123.4 m
Center Poles - 16' (4.8 m)	14	15	16	17	18	19	20	21	22	23	24	25	26
Side Poles	68	72	76	80	84	88	92	96	100	104	108	112	116
Quarter Poles	---	---	---	---	---	---	---	---	---	---	---	---	---
Stakes	104	110	116	122	128	134	140	146	152	158	164	170	176
Ratchet Buckles	104	110	116	122	128	134	140	146	152	158	164	170	176
20' (6.1 m) Sidewalls (Yellow Tab)	---	---	---	---	---	---	---	---	---	---	---	---	---
30' (9.1 m) Sidewalls (Red Tab)	17	18	19	20	21	22	23	24	25	26	27	28	29
Square Footage/ Square Meters	6750 ft²/ 627.0 m²	7200 ft²/ 668.9 m²	7650 ft²/ 710.7 m²	8100 ft²/ 752.5 m²	8550 ft²/ 794.3 m²	9000 ft²/ 836.1 m²	9450 ft²/ 877.9 m²	9900 ft²/ 919.7 m²	10350 ft²/ 961.5 m²	10800 ft²/ 1003.3 m²	11250 ft²/ 1045.1 m²	11700 ft²/ 1086.9 m²	12150 ft²/ 1128.7 m²



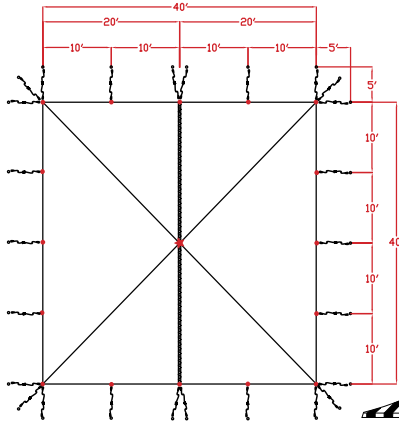
## 40' x 40' (12.2 m x 12.2 m) 1 PC Pole

Pole Tent Parts & Accessories		
Description	Size	Qty.
Side Poles	7' (2.1 m)	16
Center Pole(s)	17' (5.1 m)	1
Stakes	42" (106.6 cm)	24
Ratchet Buckles	2" (5.0 cm)	24
Sidewalls	20' (6.1 m)	8
Sidewalls	30' (9.1 m)	-
Standard Pitch = 10' (3 m)		



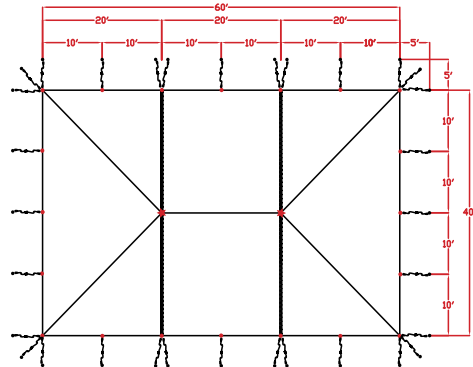
## 40' x 40' (12.2 m x 12.2 m) 2 PC Pole

Pole Tent Parts & Accessories		
Description	Size	Qty.
Side Poles	7' (2.1 m)	16
Center Pole(s)	17' (5.1 m)	1
Stakes	42" (106.6 cm)	26
Ratchet Buckles	2" (5.0 cm)	26
Sidewalls	20' (6.1 m)	8
Sidewalls	30' (9.1 m)	-
Standard Pitch = 10' (3 m)		



## 40' x 60' (12.2 m x 18.3 m) 3 PC Pole

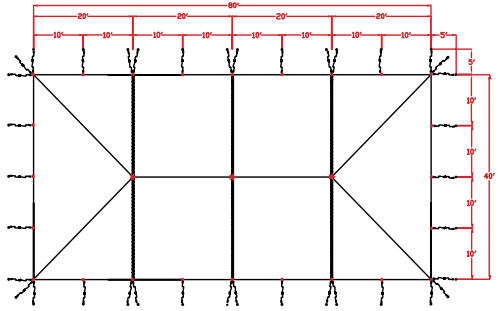
Pole Tent Parts & Accessories		
Description	Size	Qty.
Side Poles	7' (2.1 m)	20
Center Pole(s)	17' (5.1 m)	2
Stakes	42" (106.6 cm)	32
Ratchet Buckles	2" (5.0 cm)	32
Sidewalls	20' (6.1 m)	4
Sidewalls	30' (9.1 m)	4
Standard Pitch = 10' (3 m)		



Key					
Symbol					
Item Description	Side Poles	Center Pole(s)	Stake / Anchor	Guy Rope / Web	Lace Line

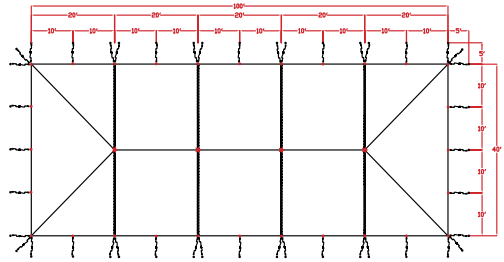
### 40' x 80' (12.2 m x 24.4 m) 4 PC Pole

Pole Tent Parts & Accessories		
Description	Size	Qty.
Side Poles	7' (2.1 m)	24
Center Pole(s)	17' (5.1 m)	3
Stakes	42" (106.6 cm)	38
Ratchet Buckles	2" (5.0 cm)	38
Sidewalls	20' (6.1 m)	6
Sidewalls	30' (9.1 m)	4
Standard Pitch = 10' (3 m)		



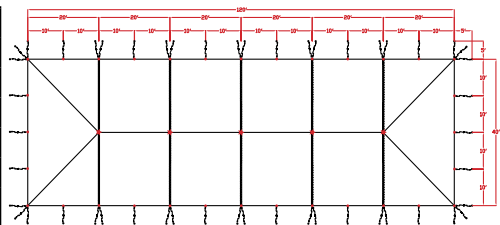
### 40' x 100' (12.2 m x 30 m) 5 PC Pole

Pole Tent Parts & Accessories		
Description	Size	Qty.
Side Poles	7' (2.1 m)	28
Center Pole(s)	17' (5.1 m)	4
Stakes	42" (106.6 cm)	44
Ratchet Buckles	2" (5.0 cm)	44
Sidewalls	20' (6.1 m)	8
Sidewalls	30' (9.1 m)	4
Standard Pitch = 10' (3 m)		



### 40' x 120' (12.2 m x 36.6 m) 6 PC Pole

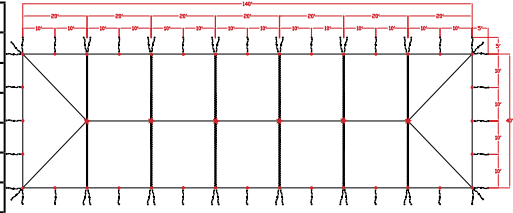
Pole Tent Parts & Accessories		
Description	Size	Qty.
Side Poles	7' (2.1 m)	32
Center Pole(s)	17' (5.1 m)	5
Stakes	42" (106.6 cm)	50
Ratchet Buckles	2" (5.0 cm)	50
Sidewalls	20' (6.1 m)	4
Sidewalls	30' (9.1 m)	8
Standard Pitch = 10' (3 m)		



Key					
Symbol					
Item Description	Side Poles	Center Pole(s)	Stake / Anchor	Guy Rope / Web	Lace Line

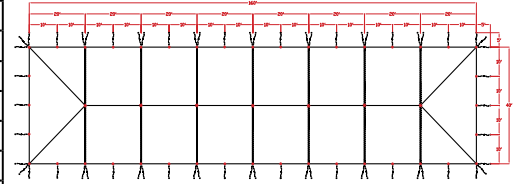
## 40' x 140' (12.2 m x 42.7 m) 7 PC Pole

Pole Tent Parts & Accessories		
Description	Size	Qty.
Side Poles	7' (2.1 m)	36
Center Pole(s)	17' (5.1 m)	6
Stakes	42" (106.6 cm)	56
Ratchet Buckles	2" (5.0 cm)	56
Sidewalls	20' (6.1 m)	6
Sidewalls	30' (9.1 m)	8
Standard Pitch = 10' (3 m)		



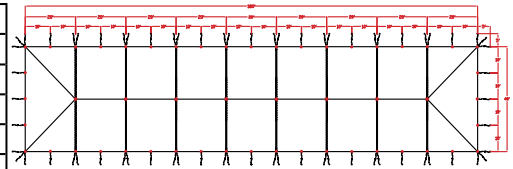
## 40' x 160' (12.2 m x 48.8 m) 8 PC Pole

Pole Tent Parts & Accessories		
Description	Size	Qty.
Side Poles	7' (2.1 m)	40
Center Pole(s)	17' (5.1 m)	7
Stakes	42" (106.6 cm)	62
Ratchet Buckles	2" (5.0 cm)	62
Sidewalls	20' (6.1 m)	8
Sidewalls	30' (9.1 m)	8
Standard Pitch = 10' (3 m)		



## 40' x 180' (12.2 m x 54.8 m) 9 PC Pole

Pole Tent Parts & Accessories		
Description	Size	Qty.
Side Poles	7' (2.1 m)	44
Center Pole(s)	17' (5.1 m)	8
Stakes	42" (106.6 cm)	68
Ratchet Buckles	2" (5.0 cm)	68
Sidewalls	20' (6.1 m)	4
Sidewalls	30' (9.1 m)	12
Standard Pitch = 10' (3 m)		



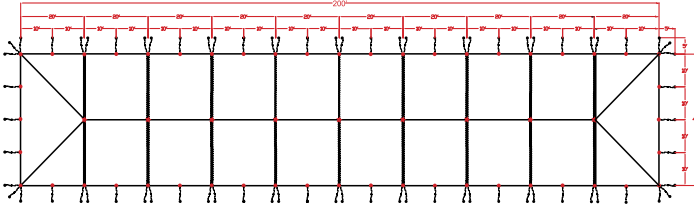
Key					
Symbol					
Item Description	Side Poles	Center Pole(s)	Stake / Anchor	Guy Rope / Web	Lace Line

### 40' x 200' (12.2 m x 61 m) 10 PC Pole

Pole Tent Parts & Accessories		
Description	Size	Qty.
Side Poles	7' (2.1 m)	48
Center Pole(s)	17' (5.1 m)	9
Stakes	42" (106.6 cm)	74
Ratchet Buckles	2" (5.0 cm)	74

Sidewalls	
Size	Qty.
20' (6.1 m)	6
30' (9.1 m)	12

Standard Pitch = 10' (3 m)

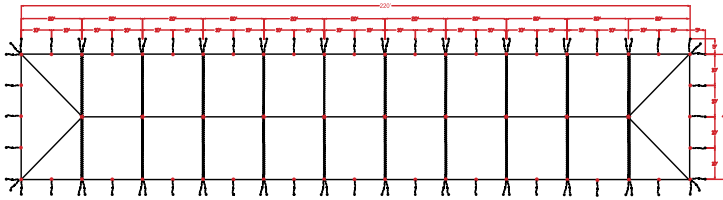


### 40' x 220' (12.2 m x 67.1 m) 11 PC Pole

Pole Tent Parts & Accessories		
Description	Size	Qty.
Side Poles	7' (2.1 m)	52
Center Pole(s)	17' (5.1 m)	10
Stakes	42" (106.6 cm)	80
Ratchet Buckles	2" (5.0 cm)	80

Sidewalls	
Size	Qty.
20' (6.1 m)	8
30' (9.1 m)	12

Standard Pitch = 10' (3 m)

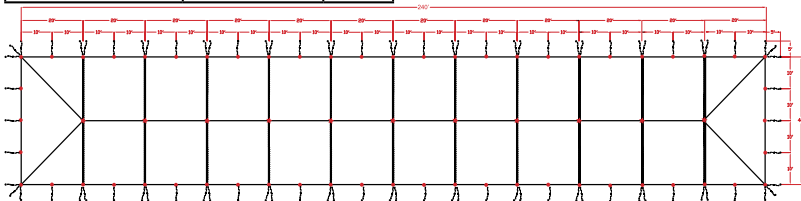


### 40' x 240' (12.2 m x 73.2 m) 12 PC Pole

Pole Tent Parts & Accessories		
Description	Size	Qty.
Side Poles	7' (2.1 m)	56
Center Pole(s)	17' (5.1 m)	11
Stakes	42" (106.6 cm)	86
Ratchet Buckles	2" (5.0 cm)	86

Sidewalls	
Size	Qty.
20' (6.1 m)	4
30' (9.1 m)	16

Standard Pitch = 10' (3 m)



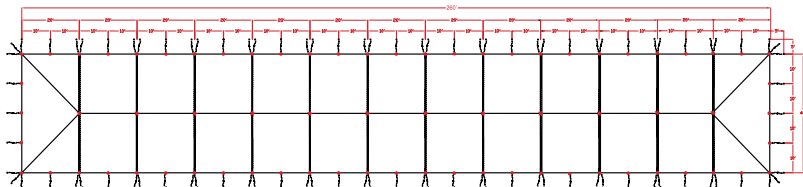
Key					
Symbol					
Item Description	Side Poles	Center Pole(s)	Stake / Anchor	Guy Rope / Web	Lace Line

### 40' x 260' (12.2 m x 79.2 m) 13 PC Pole

Pole Tent Accessories		
Description	Size	Qty.
Side Poles	7' (2.1 m)	60
Center Pole(s)	17' (5.1 m)	12
Stakes	42" (106.6 cm)	92
Ratchet Buckles	2" (5.0 cm)	92

Sidewalls	
Size	Qty.
20' (6.1 m)	6
30' (9.1 m)	16

Standard Pitch = 10' (3 m)

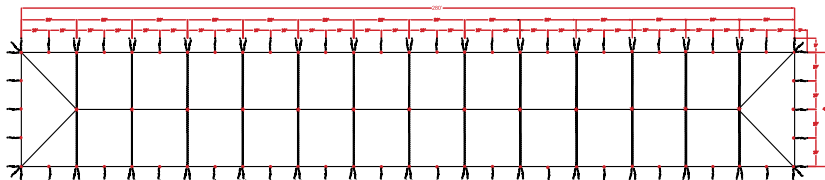


### 40' x 280' (12.2 m x 85.3 m) 14 PC Pole

Pole Tent Accessories		
Description	Size	Qty.
Side Poles	7' (2.1 m)	64
Center Pole(s)	17' (5.1 m)	13
Stakes	42" (106.6 cm)	98
Ratchet Buckles	2" (5.0 cm)	98

Sidewalls	
Size	Qty.
20' (6.1 m)	8
30' (9.1 m)	16

Standard Pitch = 10' (3 m)

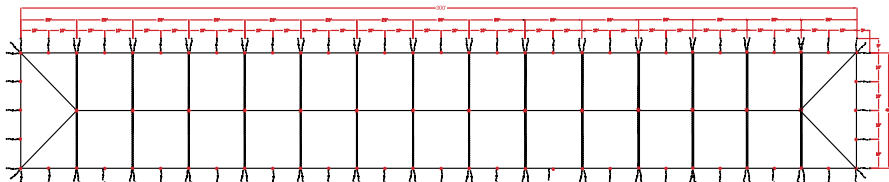


### 40' x 300' (12.2 m x 91.4 m) 15 PC Pole

Pole Tent Accessories		
Description	Size	Qty.
Side Poles	7' (2.1 m)	68
Center Pole(s)	17' (5.1 m)	14
Stakes	42" (106.6 cm)	104
Ratchet Buckles	2" (5.0 cm)	104

Sidewalls	
Size	Qty.
20' (6.1 m)	4
30' (9.1 m)	20

Standard Pitch = 10' (3 m)



Key					
Symbol					
Item Description	Side Poles	Center Pole(s)	Stake / Anchor	Guy Rope / Web	Lace Line



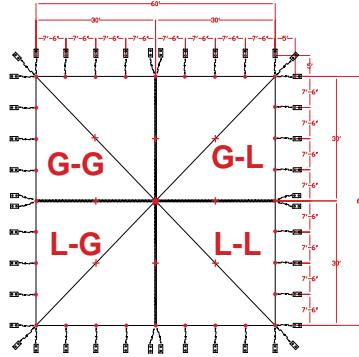
# 40' (12.2 m) Wide

<b>40' (12.2 m) Wide Pole</b>	<b>40'/</b> 12.1 m	<b>60'/</b> 18.2 m	<b>80'/</b> 24.3 m	<b>100'/</b> 30 m	<b>120'/</b> 36.5 m	<b>140'/</b> 42.3 m	<b>160'/</b> 48.7 m	<b>180'/</b> 54.8 m	<b>200'/</b> 60.9 m	<b>220'/</b> 67 m	<b>240'/</b> 73.1 m	<b>260'/</b> 79.2 m
Center Poles - 17' (5.1 m)	1	2	3	4	5	6	7	8	9	10	11	12
Side Poles	16	20	24	28	32	36	40	44	48	52	56	60
Quarter Poles	---	---	---	---	---	---	---	---	---	---	---	---
Stakes	26	32	38	44	50	56	62	68	74	80	86	92
Ratchet Buckles	26	32	38	44	50	56	62	68	74	80	86	92
20' (6.1 m) Sidewalls (Yellow Tab)	8	4	6	8	4	6	8	4	6	8	4	6
30' (9.1 m) Sidewalls (Red Tab)	---	4	4	4	8	8	8	12	12	12	16	16
Square Footage/ Square Meters	1600 ft <sup>2</sup> / 148.6 m <sup>2</sup>	2400 ft <sup>2</sup> / 222.9 m <sup>2</sup>	3200 ft <sup>2</sup> / 297.2 m <sup>2</sup>	4000 ft <sup>2</sup> / 371.6 m <sup>2</sup>	4800 ft <sup>2</sup> / 445.9 m <sup>2</sup>	5600 ft <sup>2</sup> / 520.2 m <sup>2</sup>	6400 ft <sup>2</sup> / 594.5 m <sup>2</sup>	7200 ft <sup>2</sup> / 668.9 m <sup>2</sup>	8000 ft <sup>2</sup> / 743.2 m <sup>2</sup>	8800 ft <sup>2</sup> / 817.5 m <sup>2</sup>	9600 ft <sup>2</sup> / 891.8 m <sup>2</sup>	10400 ft <sup>2</sup> / 966.1 m <sup>2</sup>

<b>40' (12.2 m) Wide Pole</b>	<b>280'/</b> 85.3 m	<b>300'/</b> 91.4 m	<b>320'/</b> 97.5 m	<b>340'/</b> 103.6 m	<b>360'/</b> 109.7 m	<b>380'/</b> 115.8 m	<b>400'/</b> 121.9 m	<b>420'/</b> 128 m	<b>440'/</b> 134.1 m	<b>460'/</b> 140.2 m	<b>480'/</b> 146.3 m	<b>500'/</b> 152.4 m
Center Poles - 17' (5.1 m)	13	14	15	16	17	18	19	20	21	22	23	24
Side Poles	64	68	72	76	80	84	88	92	96	100	104	108
Quarter Poles	---	---	---	---	---	---	---	---	---	---	---	---
Stakes	98	104	110	116	122	128	134	140	146	152	158	164
Ratchet Buckles	98	104	110	116	122	128	134	140	146	152	158	164
20' (6.1 m) Sidewalls (Yellow Tab)	8	4	6	8	4	6	8	4	6	8	4	6
30' (9.1 m) Sidewalls (Red Tab)	16	20	20	20	24	24	24	28	28	28	32	32
Square Footage/ Square Meters	11200 ft <sup>2</sup> / 1040.5 m <sup>2</sup>	12000 ft <sup>2</sup> / 1114.8 m <sup>2</sup>	12800 ft <sup>2</sup> / 1189.1 m <sup>2</sup>	13600 ft <sup>2</sup> / 1263.4 m <sup>2</sup>	14400 ft <sup>2</sup> / 1337.8 m <sup>2</sup>	15200 ft <sup>2</sup> / 1412.1 m <sup>2</sup>	16000 ft <sup>2</sup> / 1486.4 m <sup>2</sup>	16800 ft <sup>2</sup> / 1560.7 m <sup>2</sup>	17600 ft <sup>2</sup> / 1635.0 m <sup>2</sup>	18400 ft <sup>2</sup> / 1709.4 m <sup>2</sup>	19200 ft <sup>2</sup> / 1783.7 m <sup>2</sup>	20000 ft <sup>2</sup> / 1858.0 m <sup>2</sup>

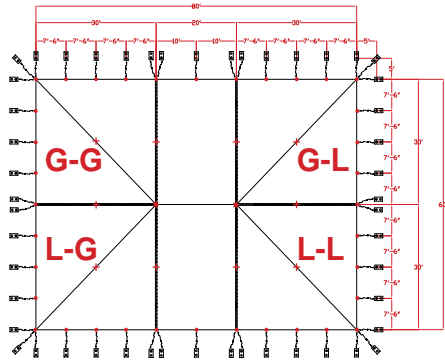
## 60' x 60' (18.3 m x 18.3 m) 4 PC Pole

Pole Tent Parts & Accessories		
Description	Size	Qty.
Side Poles	7' (2.1 m)	32
Center Pole(s)	22' (6.7 m)	1
Quarter Pole(s)	16' (4.8 m)	8
Stake Plates	15" (38.1 cm)	44
Double Head Stakes	42" (106.6 cm)	94
Ratchet Buckles	2" (5.0 cm)	54
Sidewalls	20' (6.1 m)	-
Sidewalls	30' (9.1 m)	8
Standard Pitch = 15' (4.5 m)		



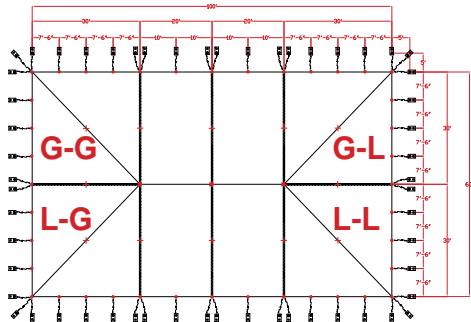
## 60' x 80' (18.3 m x 24.4 m) 5 PC Pole

Pole Tent Parts & Accessories		
Description	Size	Qty.
Side Poles	7' (2.1 m)	36
Center Pole(s)	22' (6.7 m)	2
Quarter Pole(s)	16' (4.8 m)	10
Stake Plates	15" (38.1 cm)	50
Double Head Stakes	42" (106.6 cm)	114
Ratchet Buckles	2" (5.0 cm)	64
Sidewalls	20' (6.1 m)	2
Sidewalls	30' (9.1 m)	8
Standard Pitch = 15' (4.5 m)		



## 60' x 100' (18.3 m x 30 m) 6 PC Pole

Pole Tent Parts & Accessories		
Description	Size	Qty.
Side Poles	7' (2.1 m)	40
Center Pole(s)	22' (6.7 m)	3
Quarter Pole(s)	16' (4.8 m)	12
Stake Plates	15" (38.1 cm)	56
Double Head Stakes	42" (106.6 cm)	130
Ratchet Buckles	2" (5.0 cm)	74
Sidewalls	20' (6.1 m)	4
Sidewalls	30' (9.1 m)	8
Standard Pitch = 15' (4.5 m)		

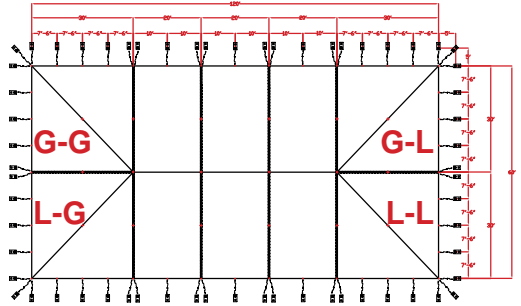


Key							
Symbol	●	★	+	○	⋈	○	—
Description	Side Poles	Center Pole(s)	Quarter Pole(s)	Stake / Anchor	Ratchet Assembly	Stake Plate	Lace Line

G-G=Grommet-Grommet / G-L=Grommet-Lace / L-G=Lace-Grommet / L-L=Lace-Lace

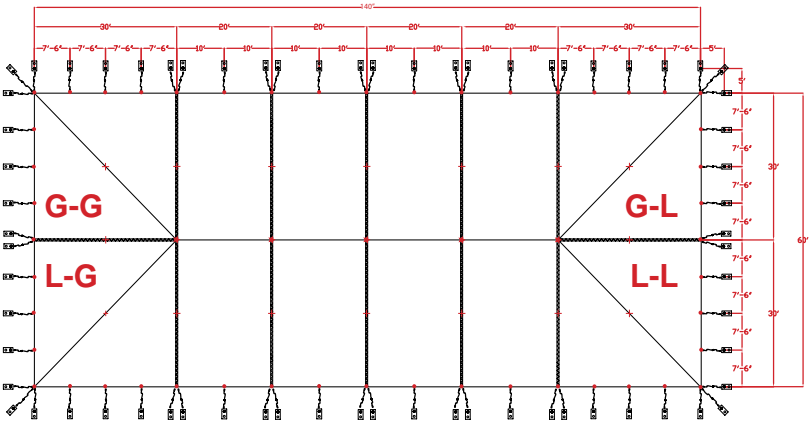
### 60' x 120' (18.3 m x 36.6 m) 7 PC Pole

Pole Tent Parts & Accessories		
Description	Size	Qty.
Side Poles	7' (2.1 m)	44
Center Pole(s)	22' (6.7 m)	4
Quarter Pole(s)	16' (4.8 m)	14
Stake Plates	15" (38.1 cm)	62
Double Head Stakes	42" (106.6 cm)	146
Ratchet Buckles	2" (5.0 cm)	84
Sidewalls	20' (6.1 m)	-
Sidewalls	30' (9.1 m)	12
Standard Pitch = 15' (4.5 m)		



### 60' x 140' (18.3 m x 42.7 m) 8 PC Pole

Pole Tent Parts & Accessories		
Description	Size	Qty.
Side Poles	7' (2.1 m)	48
Center Pole(s)	22' (6.7 m)	5
Quarter Pole(s)	16' (4.8 m)	16
Stake Plates	15" (38.1 cm)	68
Double Head Stakes	42" (106.6 cm)	162
Ratchet Buckles	2" (5.0 cm)	94
Sidewalls	20' (6.1 m)	2
Sidewalls	30' (9.1 m)	12
Standard Pitch = 15' (4.5 m)		



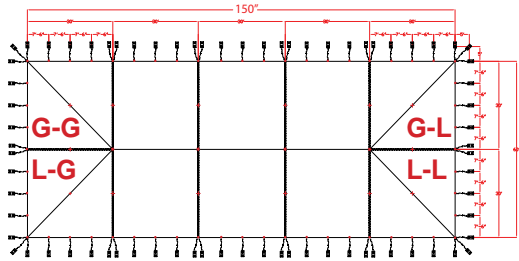
Key							
Symbol	●	★	+	○		◻◻	
Description	Side Poles	Center Pole(s)	Quarter Pole(s)	Stake / Anchor	Ratchet Assembly	Stake Plate	Lace Line

G-G=Grommet-Grommet / G-L=Grommet-Lace / L-G=Lace-Grommet / L-L=Lace-Lace



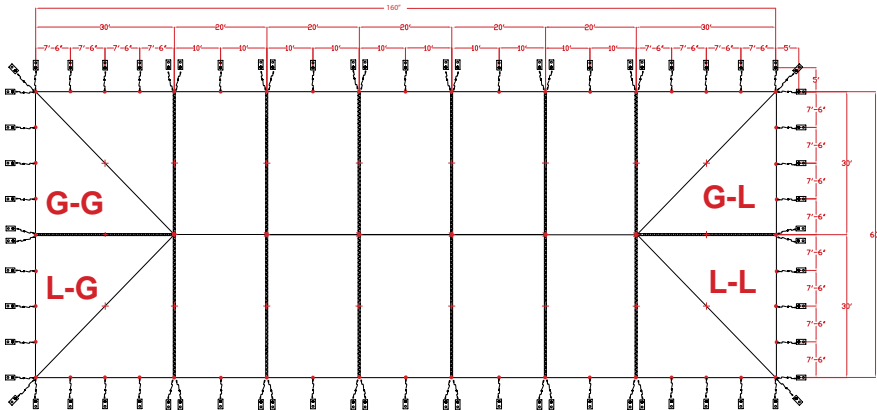
# 60' x 150' (18.3 m x 45.7 m) 7 PC Pole

Pole Tent Parts & Accessories		
Description	Size	Qty.
Side Poles	7' (2.1 m)	56
Center Pole(s)	22' (6.7 m)	4
Quarter Pole(s)	16' (4.8 m)	14
Stake Plates	15" (38.1 cm)	74
Double Head Stakes	42" (106.6 cm)	170
Ratchet Buckles	2" (5.0 cm)	96
Sidewalls	20' (6.1 m)	-
Sidewalls	30' (9.1 m)	14
Standard Pitch = 15' (4.5 m)		



# 60' x 160' (18.3 m x 48.8 m) 9 PC Pole

Pole Tent Parts & Accessories		
Description	Size	Qty.
Side Poles	7' (2.1 m)	52
Center Pole(s)	22' (6.7 m)	6
Quarter Pole(s)	16' (4.8 m)	18
Stake Plates	15" (38.1 cm)	74
Double Head Stakes	42" (106.6 cm)	178
Ratchet Buckles	2" (5.0 cm)	104
Sidewalls	20' (6.1 m)	4
Sidewalls	30' (9.1 m)	12
Standard Pitch = 15' (4.5 m)		



Key							
Symbol	●	★	+	○	⌘	□	▨
Description	Side Poles	Center Pole(s)	Quarter Pole(s)	Stake / Anchor	Ratchet Assembly	Stake Plate	Lace Line

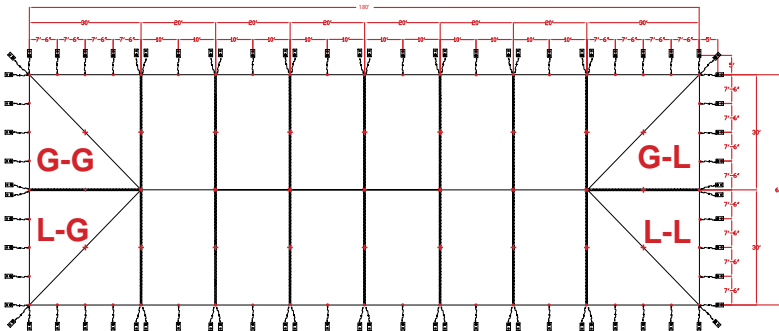
G-G=Grommet-Grommet / G-L=Grommet-Lace / L-G=Lace-Grommet / L-L=Lace-Lace

CELINA TENT EUROPE LTD. / GETTENT.CO.UK / +44 115 794 0041

### 60' x 180' (18.3 m x 54.8 m) 10 PC Pole

Pole Tent Parts & Accessories		
Description	Size	Qty.
Side Poles	7' (2.1 m)	56
Center Pole(s)	22' (6.7 m)	7
Quarter Pole(s)	16' (4.8 m)	20
Stake Plates	15" (38.1 cm)	80
Double Head Stakes	42" (106.6 cm)	194
Ratchet Buckles	2" (5.0 cm)	114
Standard Pitch = 15' (4.5 m)		

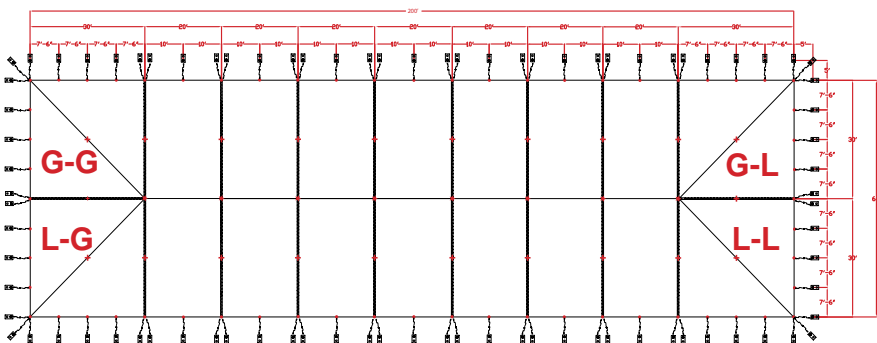
Sidewalls	
Size	Qty.
20' (6.1 m)	-
30' (9.1 m)	16



### 60' x 200' (18.3 m x 61 m) 11 PC Pole

Pole Tent Parts & Accessories		
Description	Size	Qty.
Side Poles	7' (2.1 m)	60
Center Pole(s)	22' (6.7 m)	8
Quarter Pole(s)	16' (4.8 m)	22
Stake Plates	15" (38.1 cm)	86
Double Head Stakes	42" (106.6 cm)	210
Ratchet Buckles	2" (5.0 cm)	124
Standard Pitch = 15' (4.5 m)		

Sidewalls	
Size	Qty.
20' (6.1 m)	2
30' (9.1 m)	16

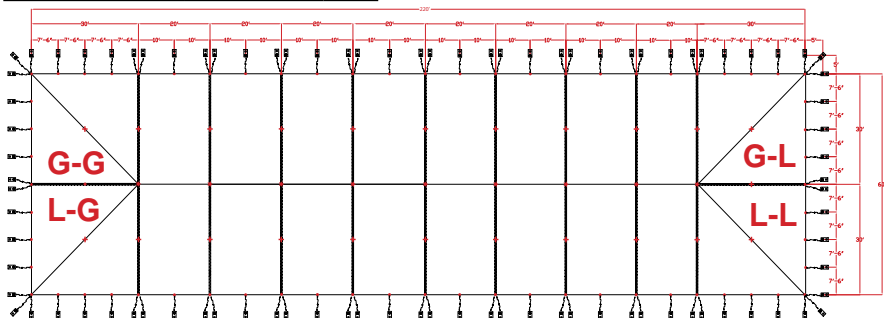


Key							
Symbol	●	★	+	○	⌘	□	⌘
Description	Side Poles	Center Pole(s)	Quarter Pole(s)	Stake / Anchor	Ratchet Assembly	Stake Plate	Lace Line

G-G=Grommet-Grommet / G-L=Grommet-Lace / L-G=Lace-Grommet / L-L=Lace-Lace

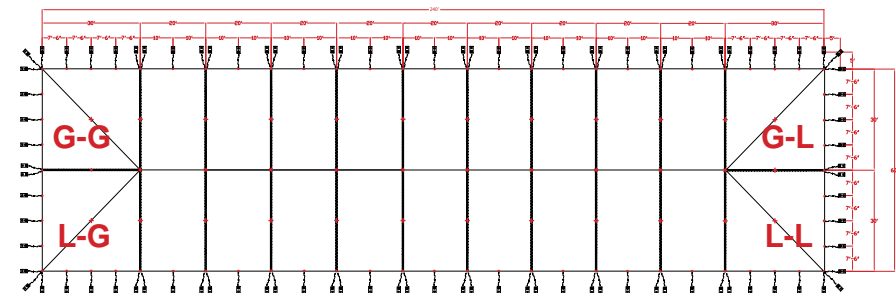
### 60' x 220' (18.3 m x 67.1 m) 12 PC Pole

Pole Tent Parts & Accessories			Sidewalls	
Description	Size	Qty.	Size	Qty.
Side Poles	7' (2.1 m)	64	20' (6.1 m)	4
Center Pole(s)	22' (6.7 m)	9	30' (9.1 m)	16
Quarter Pole(s)	16' (4.8 m)	24		
Stake Plates	15" (38.1 cm)	92		
Double Head Stakes	42" (106.6 cm)	226		
Ratchet Buckles	2" (5.0 cm)	134		
Standard Pitch = 15' (4.5 m)				



### 60' x 240' (18.3 m x 73.2 m) 13 PC Pole

Pole Tent Parts & Accessories			Sidewalls	
Description	Size	Qty.	Size	Qty.
Side Poles	7' (2.1 m)	68	20' (6.1 m)	---
Center Pole(s)	22' (6.7 m)	10	30' (9.1 m)	20
Quarter Pole(s)	16' (4.8 m)	26		
Stake Plates	15" (38.1 cm)	98		
Double Head Stakes	42" (106.6 cm)	242		
Ratchet Buckles	2" (5.0 cm)	144		
Standard Pitch = 15' (4.5 m)				



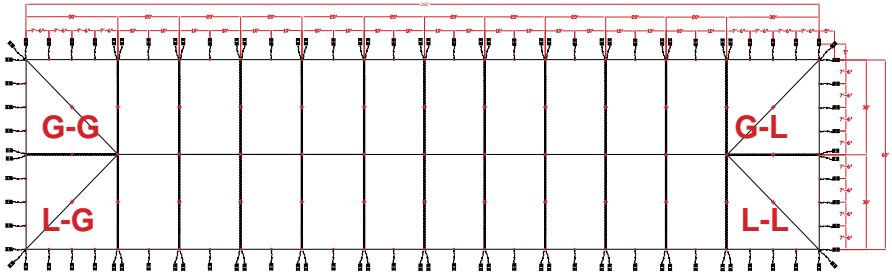
Key							
Symbol							
Description	Side Poles	Center Pole(s)	Quarter Pole(s)	Stake / Anchor	Ratchet Assembly	Stake Plate	Lace Line

G-G=Grommet-Grommet / G-L=Grommet-Lace / L-G=Lace-Grommet / L-L=Lace-Lace

### 60' x 260' (18.3 m x 79.2 m) 14 PC Pole

Pole Tent Parts & Accessories		
Description	Size	Qty.
Side Poles	7' (2.1 m)	72
Center Pole(s)	22' (6.7 m)	11
Quarter Pole(s)	16' (4.8 m)	28
Stake Plates	15" (38.1 cm)	104
Double Head Stakes	42" (106.6 cm)	258
Ratchet Buckles	2" (5.0 cm)	154
Standard Pitch = 15' (4.5 m)		

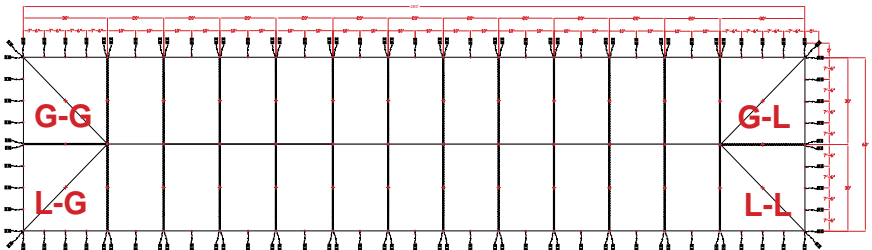
Sidewalls	
Size	Qty.
20' (6.1 m)	2
30' (9.1 m)	20



### 60' x 280' (18.3 m x 85.3 m) 15 PC Pole

Pole Tent Parts & Accessories		
Description	Size	Qty.
Side Poles	7' (2.1 m)	76
Center Pole(s)	22' (6.7 m)	12
Quarter Pole(s)	16' (4.8 m)	30
Stake Plates	15" (38.1 cm)	110
Double Head Stakes	42" (106.6 cm)	274
Ratchet Buckles	2" (5.0 cm)	164
Standard Pitch = 15' (4.5 m)		

Sidewalls	
Size	Qty.
20' (6.1 m)	4
30' (9.1 m)	20



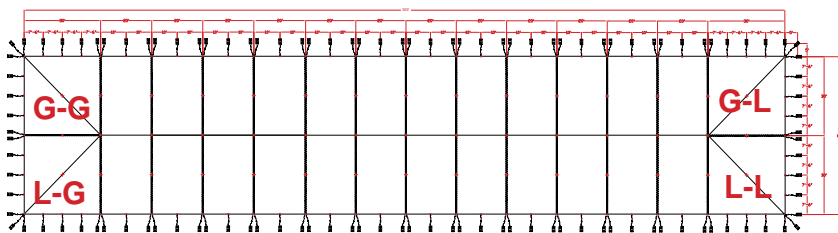
Key							
Symbol	●	★	+	○			
Description	Side Poles	Center Pole(s)	Quarter Pole(s)	Stake / Anchor	Ratchet Assembly	Stake Plate	Lace Line

G-G=Grommet-Grommet / G-L=Grommet-Lace / L-G=Lace-Grommet / L-L=Lace-Lace

## 60' x 300' (18.3 m x 91.4 m) 16 PC Pole

Pole Tent Parts & Accessories		
Description	Size	Qty.
Side Poles	7' (2.1 m)	80
Center Pole(s)	22' (6.7 m)	13
Quarter Pole(s)	16' (4.8 m)	32
Stake Plates	15" (38.1 cm)	116
Double Head Stakes	42" (106.6 cm)	290
Ratchet Buckles	2" (5.0 cm)	174
Standard Pitch = 15' (4.5 m)		

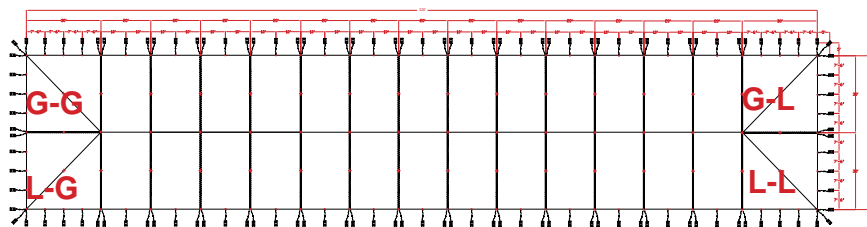
Sidewalls	
Size	Qty.
20' (6.1 m)	---
30' (9.1 m)	24



## 60' x 320' (18.3 m x 97.5 m) 17 PC Pole

Pole Tent Parts & Accessories		
Description	Size	Qty.
Side Poles	7' (2.1 m)	84
Center Pole(s)	22' (6.7 m)	14
Quarter Pole(s)	16' (4.8 m)	34
Stake Plates	15" (38.1 cm)	122
Double Head Stakes	42" (106.6 cm)	306
Ratchet Buckles	2" (5.0 cm)	184
Standard Pitch = 15' (4.5 m)		

Sidewalls	
Size	Qty.
20' (6.1 m)	2
30' (9.1 m)	24



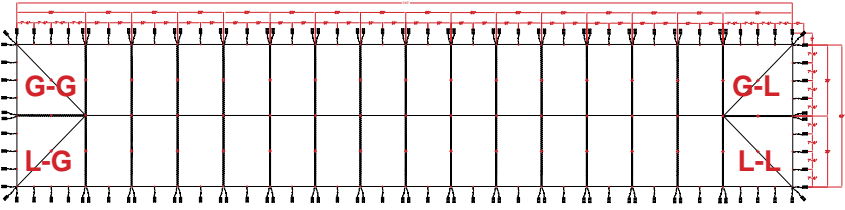
Key							
Symbol	●	★	+	○	⋈	⊙	⋯
Description	Side Poles	Center Pole(s)	Quarter Pole(s)	Stake / Anchor	Ratchet Assembly	Stake Plate	Lace Line

G-G=Grommet-Grommet / G-L=Grommet-Lace / L-G=Lace-Grommet / L-L=Lace-Lace

### 60' x 340' (18.3 m x 103.6 m) 18 PC Pole

Pole Tent Parts & Accessories		
Description	Size	Qty.
Side Poles	7' (2.1 m)	88
Center Pole(s)	22' (6.7 m)	15
Quarter Pole(s)	16' (4.8 m)	36
Stake Plates	15" (38.1 cm)	128
Double Head Stakes	42" (106.6 cm)	322
Ratchet Buckles	2" (5.0 cm)	194
Standard Pitch = 15' (4.5 m)		

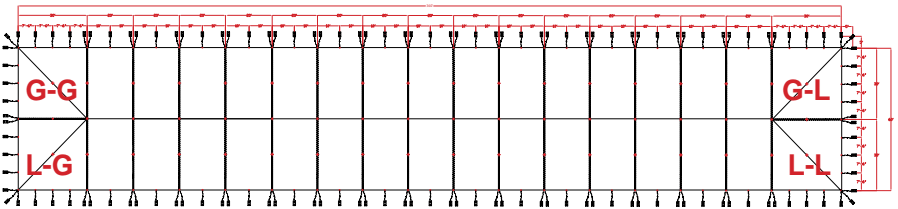
Sidewalls	
Size	Qty.
20' (6.1 m)	4
30' (9.1 m)	24



### 60' x 360' (18.3 m x 109.7 m) 19 PC Pole

Pole Tent Parts & Accessories		
Description	Size	Qty.
Side Poles	7' (2.1 m)	92
Center Pole(s)	22' (6.7 m)	16
Quarter Pole(s)	16' (4.8 m)	38
Stake Plates	15" (38.1 cm)	134
Double Head Stakes	42" (106.6 cm)	338
Ratchet Buckles	2" (5.0 cm)	204
Standard Pitch = 15' (4.5 m)		

Sidewalls	
Size	Qty.
20' (6.1 m)	---
30' (9.1 m)	28



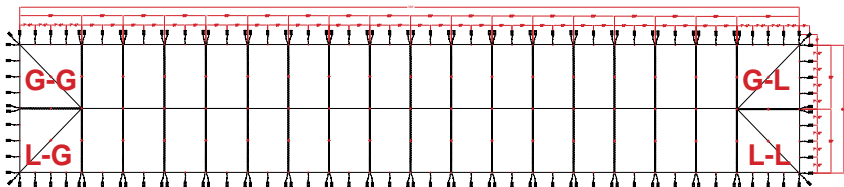
Key							
Symbol	●	★	+	○	⌘	□	⌘
Description	Side Poles	Center Pole(s)	Quarter Pole(s)	Stake / Anchor	Ratchet Assembly	Stake Plate	Lace Line

G-G=Grommet-Grommet / G-L=Grommet-Lace / L-G=Lace-Grommet / L-L=Lace-Lace

## 60' x 380' (18.3 m x 115.8 m) 20 PC Pole

Pole Tent Parts & Accessories		
Description	Size	Qty.
Side Poles	7' (2.1 m)	96
Center Pole(s)	22' (6.7 m)	17
Quarter Pole(s)	16' (4.8 m)	40
Stake Plates	15" (38.1 cm)	140
Double Head Stakes	42" (106.6 cm)	354
Ratchet Buckles	2" (5.0 cm)	214
Standard Pitch = 15' (4.5 m)		

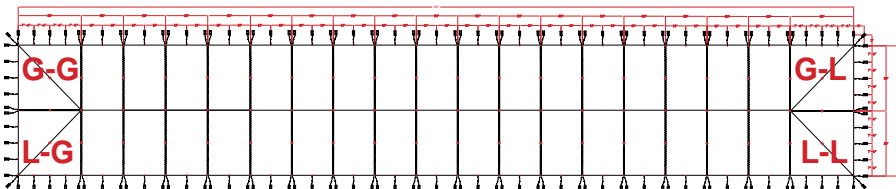
Sidewalls	
Size	Qty.
20' (6.1 m)	2
30' (9.1 m)	28



## 60' x 400' (18.3 m x 121.9 m) 21 PC Pole

Pole Tent Parts & Accessories		
Description	Size	Qty.
Side Poles	7' (2.1 m)	100
Center Pole(s)	22' (6.7 m)	18
Quarter Pole(s)	16' (4.8 m)	42
Stake Plates	15" (38.1 cm)	146
Double Head Stakes	42" (106.6 cm)	370
Ratchet Buckles	2" (5.0 cm)	224
Standard Pitch = 15' (4.5 m)		

Sidewalls	
Size	Qty.
20' (6.1 m)	4
30' (9.1 m)	28



### Key

Symbol							
Description	Side Poles	Center Pole(s)	Quarter Pole(s)	Stake / Anchor	Ratchet Assembly	Stake Plate	Lace Line

G-G=Grommet-Grommet / G-L=Grommet-Lace / L-G=Lace-Grommet / L-L=Lace-Lace



# 60' (183 m) Wide

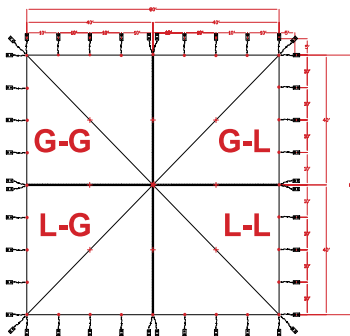
60' (18.3 m) Wide Pole	60' / 18.2 m	80' / 24.3 m	100' / 30 m	120' / 36.5 m	140' / 42.3 m	160' / 48.7 m	180' / 54.8 m	200' / 60.9 m	220' / 67 m	240' / 68.2 m
Center Poles - 22' (6.7 m)	1	2	3	4	5	6	7	8	9	10
Side Poles	32	36	40	44	48	52	56	60	64	68
Quarter Poles -16' (4.8 m)	8	10	12	14	16	18	20	22	24	26
Stake Plates -15" (38.1 cm)	44	50	56	62	68	74	80	86	92	98
Double Head Stakes	94	114	130	146	162	178	194	210	226	242
Ratchet Buckles	54	64	74	84	94	104	114	124	134	144
20' (6.1 m) Sidewalls (Yellow Tab)	---	2	4	---	2	4	---	2	4	---
30' (9.1 m) Sidewalls (Red Tab)	8	8	8	12	12	12	16	16	16	20
Square Footage/ Square Meters	3600 ft <sup>2</sup> / 334.4 m <sup>2</sup>	4800 ft <sup>2</sup> / 445.9 m <sup>2</sup>	6000 ft <sup>2</sup> / 557.4 m <sup>2</sup>	7200 ft <sup>2</sup> / 668.9 m <sup>2</sup>	8400 ft <sup>2</sup> / 780.3 m <sup>2</sup>	9600 ft <sup>2</sup> / 891.8 m <sup>2</sup>	10800 ft <sup>2</sup> / 1003.3 m <sup>2</sup>	12000 ft <sup>2</sup> / 1114.8 m <sup>2</sup>	13200 ft <sup>2</sup> / 1226.3 m <sup>2</sup>	14400 ft <sup>2</sup> / 1337.8 m <sup>2</sup>

60' (18.3 m) Wide Pole	260' / 79.2 m	280' / 85.3 m	300' / 91.4 m	320' / 97.5 m	340' / 103.6 m	360' / 109.7 m	380' / 115.8 m	400' / 121.9 m
Center Poles - 22' (6.7 m)	11	12	13	14	15	16	17	18
Side Poles	72	76	80	84	88	92	96	100
Quarter Poles -16' (4.8 m)	28	30	32	34	36	38	40	42
Stake Plates -15" (38.1 cm)	104	110	116	122	128	134	140	146
Double Head Stakes	258	274	290	306	322	338	354	370
Ratchet Buckles	154	164	174	184	194	204	214	224
20' (6.1 m) Sidewalls (Yellow Tab)	2	4	---	2	4	---	2	4
30' (9.1 m) Sidewalls (Red Tab)	20	20	24	24	24	28	28	28
Square Footage/ Square Meters	15600 ft <sup>2</sup> / 1449.2 m <sup>2</sup>	16800 ft <sup>2</sup> / 1560.7 m <sup>2</sup>	18000 ft <sup>2</sup> / 1672.2 m <sup>2</sup>	19200 ft <sup>2</sup> / 1783.7 m <sup>2</sup>	20400 ft <sup>2</sup> / 1895.2 m <sup>2</sup>	21600 ft <sup>2</sup> / 2006.7 m <sup>2</sup>	22800 ft <sup>2</sup> / 2118.1 m <sup>2</sup>	24000 ft <sup>2</sup> / 2229.6 m <sup>2</sup>



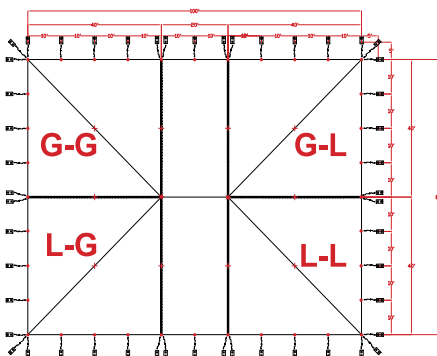
### 80' x 80' (24.4 m x 24.4 m) 4 PC Pole

Pole Tent Parts & Accessories		
Description	Size	Qty.
Side Poles	7' (2.1 m)	32
Center Pole(s)	22' (6.7 m)	1
Quarter Pole(s)	16' (4.8 m)	8
Stake Plates	15" (38.1 cm)	44
Double Head Stakes	42" (106.6 cm)	96
Ratchet Buckles	2" (5.0 cm)	53
Sidewalls	20' (6.1 m)	4
Sidewalls	30' (9.1 m)	8
Standard Pitch = 17' (5.1 m)		



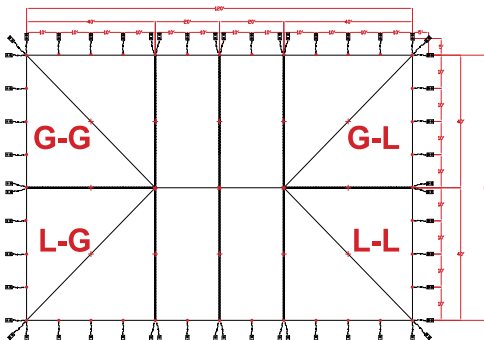
### 80' x 100' (24.4 m x 30.5 m) 5 PC Pole

Pole Tent Parts & Accessories		
Description	Size	Qty.
Side Poles	7' (2.1 m)	36
Center Pole(s)	22' (6.7 m)	2
Quarter Pole(s)	16' (4.8 m)	10
Stake Plates	15" (38.1 cm)	50
Double Head Stakes	42" (106.6 cm)	114
Ratchet Buckles	2" (5.0 cm)	64
Sidewalls	20' (6.1 m)	6
Sidewalls	30' (9.1 m)	8
Standard Pitch = 17' (5.1 m)		



### 80' x 120' (24.4 m x 36.6 m) 6 PC Pole

Pole Tent Parts & Accessories		
Description	Size	Qty.
Side Poles	7' (2.1 m)	40
Center Pole(s)	22' (6.7 m)	3
Quarter Pole(s)	16' (4.8 m)	12
Stake Plates	15" (38.1 cm)	56
Double Head Stakes	42" (106.6 cm)	130
Ratchet Buckles	2" (5.0 cm)	74
Sidewalls	20' (6.1 m)	2
Sidewalls	30' (9.1 m)	12
Standard Pitch = 17' (5.1 m)		

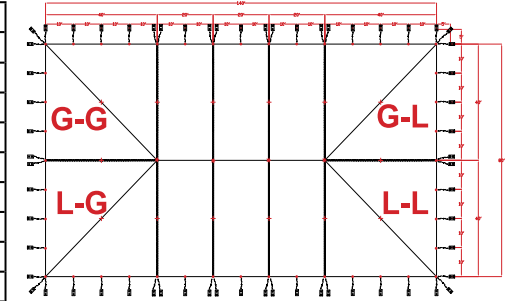


Key							
Symbol	●	★	+	○	⌘	□	▬
Description	Side Poles	Center Pole(s)	Quarter Pole(s)	Stake / Anchor	Ratchet Assembly	Stake Plate	Lace Line

G-G=Grommet-Grommet / G-L=Grommet-Lace / L-G=Lace-Grommet / L-L=Lace-Lace

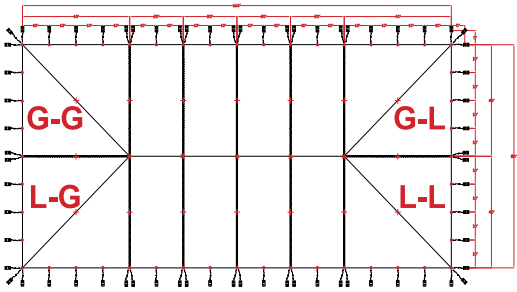
### 80' x 140' (24.4 m x 42.7 m) 7 PC Pole

Pole Tent Parts & Accessories		
Description	Size	Qty.
Side Poles	7' (2.1 m)	44
Center Pole(s)	22' (6.7 m)	4
Quarter Pole(s)	16' (4.8 m)	14
Stake Plates	15" (38.1 cm)	62
Double Head Stakes	42" (106.6 cm)	146
Ratchet Buckles	2" (5.0 cm)	84
Sidewalls	20' (6.1 m)	4
Sidewalls	30' (9.1 m)	12
Standard Pitch = 17' (5.1 m)		



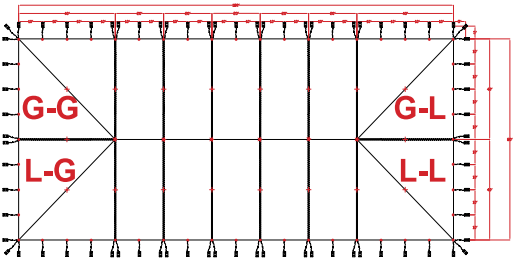
### 80' x 160' (24.4 m x 48.8 m) 8 PC Pole

Pole Tent Parts & Accessories		
Description	Size	Qty.
Side Poles	7' (2.1 m)	48
Center Poles(s)	22' (6.7 m)	5
Quarter Pole(s)	16' (4.8 m)	16
Stake Plates	15" (38.1 cm)	68
Double Head Stakes	42" (106.6 cm)	162
Ratchet Buckles	2" (5.0 cm)	94
Sidewalls	20' (6.1 m)	6
Sidewalls	30' (9.1 m)	12
Standard Pitch = 17' (5.1 m)		



### 80' x 180' (24.4 m x 54.8 m) 9 PC Pole

Pole Tent Parts & Accessories		
Description	Size	Qty.
Side Poles	7' (2.1 m)	52
Center Pole(s)	22' (6.7 m)	6
Quarter Pole(s)	16' (4.8 m)	18
Stake Plates	15" (38.1 cm)	74
Double Head Stakes	42" (106.6 cm)	178
Ratchet Buckles	2" (5.0 cm)	104
Sidewalls	20' (6.1 m)	2
Sidewalls	30' (9.1 m)	16
Standard Pitch = 17' (5.1 m)		

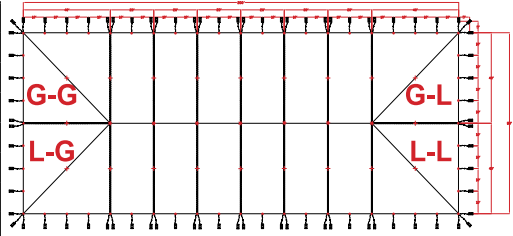


Key							
Symbol	●	★	+	○			
Description	Side Poles	Center Pole(s)	Quarter Pole(s)	Stake / Anchor	Ratchet Assembly	Stake Plate	Lace Line

G-G=Grommet-Grommet / G-L=Grommet-Lace / L-G=Lace-Grommet / L-L=Lace-Lace

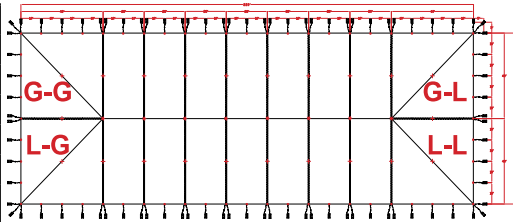
## 80' x 200' (24.4 m x 61 m) 10 PC Pole

Pole Tent Parts & Accessories		
Description	Size	Qty.
Side Poles	7' (2.1 m)	56
Center Pole(s)	22' (6.7 m)	7
Quarter Pole(s)	16' (4.8 m)	20
Stake Plates	15" (38.1 cm)	80
Stakes	42" (106.6 cm)	194
Double Head Stakes	2" (5.0 cm)	114
Sidewalls	20' (6.1 m)	4
Sidewalls	30' (9.1 m)	16
Standard Pitch = 17' (5.1 m)		



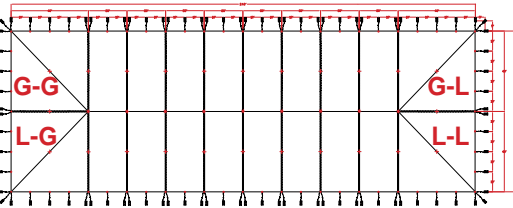
## 80' x 220' (24.4 m x 67.1 m) 11 PC Pole

Pole Tent Parts & Accessories		
Description	Size	Qty.
Side Poles	7' (2.1 m)	60
Center Pole(s)	22' (6.7 m)	8
Quarter Pole(s)	16' (4.8 m)	22
Stake Plates	15" (38.1 cm)	86
Double Head Stakes	42" (106.6 cm)	210
Ratchet Buckles	2" (5.0 cm)	124
Sidewalls	20' (6.1 m)	6
Sidewalls	30' (9.1 m)	16
Standard Pitch = 17' (5.1 m)		



## 80' x 240' (24.4 m x 73.2 m) 12 PC Pole

Pole Tent Parts & Accessories		
Description	Size	Qty.
Side Poles	7' (2.1 m)	64
Center Pole(s)	22' (6.7 m)	9
Quarter Pole(s)	16' (4.8 m)	24
Stake Plates	15" (38.1 cm)	92
Double Head Stakes	42" (106.6 cm)	226
Ratchet Buckles	2" (5.0 cm)	134
Sidewalls	20' (6.1 m)	2
Sidewalls	30' (9.1 m)	20
Standard Pitch = 17' (5.1 m)		



Key							
Symbol	●	★	+	○	⌘	□	⋯
Description	Side Poles	Center Pole(s)	Quarter Pole(s)	Stake / Anchor	Ratchet Assembly	Stake Plate	Lace Line

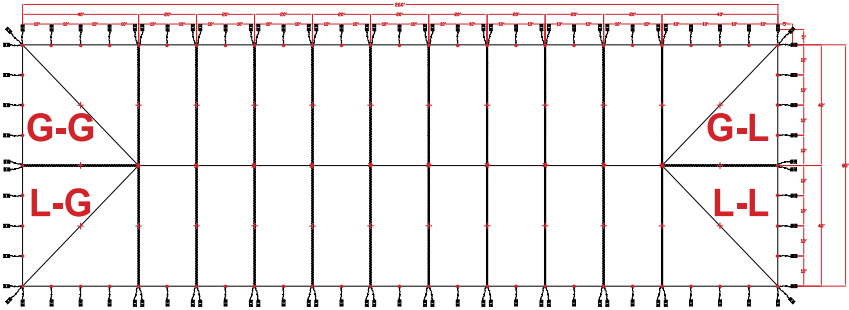
G-G=Grommet-Grommet / G-L=Grommet-Lace / L-G=Lace-Grommet / L-L=Lace-Lace

CELINA TENT EUROPE LTD. / GETTENT.CO.UK / +44 115 794 0041

# 80' x 260' (24.4 m x 79.2 m) 13 PC Pole

Pole Tent Parts & Accessories		
Description	Size	Qty.
Side Poles	7' (2.1 m)	68
Center Pole(s)	22' (6.7 m)	10
Quarter Pole(s)	16' (4.8 m)	26
Stake Plates	15" (38.1 cm)	98
Double Head Stakes	42" (106.6 cm)	242
Ratchet Buckles	2" (5.0 cm)	144
Standard Pitch = 17' (5.1 m)		

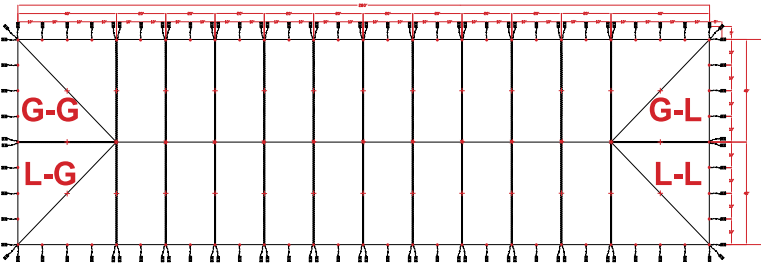
Sidewalls	
Size	Qty.
20' (6.1 m)	4
30' (9.1 m)	20



# 80' x 280' (24.4 m x 85.3 m) 14 PC Pole

Pole Tent Parts & Accessories		
Description	Size	Qty.
Side Poles	7' (2.1 m)	72
Center Pole(s)	22' (6.7 m)	11
Quarter Pole(s)	16' (4.8 m)	28
Stake Plates	15" (38.1 cm)	104
Double Head Stakes	42" (106.6 cm)	258
Ratchet Buckles	2" (5.0 cm)	154
Standard Pitch = 17' (5.1 m)		

Sidewalls	
Size	Qty.
20' (6.1 m)	6
30' (9.1 m)	20

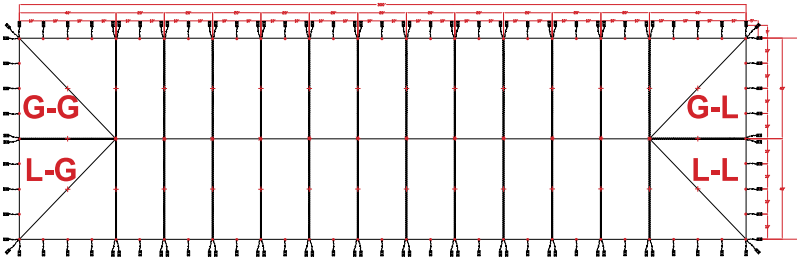


Key							
Symbol	●	★	+	○		○ ○	
Description	Side Poles	Center Pole(s)	Quarter Pole(s)	Stake / Anchor	Ratchet Assembly	Stake Plate	Lace Line

G-G=Grommet-Grommet / G-L=Grommet-Lace / L-G=Lace-Grommet / L-L=Lace-Lace

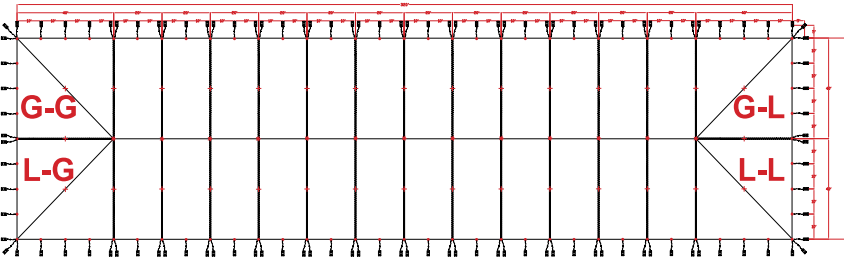
## 80' x 300' (24.4 m x 91.4 m) 15 PC Pole

Pole Tent Parts & Accessories			Sidewalls	
Description	Size	Qty.	Size	Qty.
Side Poles	7' (2.1 m)	76	20' (6.1 m)	2
Center Pole(s)	22' (6.7 m)	12	30' (9.1 m)	24
Quarter Pole(s)	16' (4.8 m)	30		
Stake Plates	15" (38.1 cm)	110		
Double Head Stakes	42" (106.6 cm)	274		
Ratchet Buckles	2" (5.0 cm)	164		
Standard Pitch = 17' (5.1 m)				



## 80' x 320' (24.4 m x 97.5 m) 16 PC Pole

Pole Tent Parts & Accessories			Sidewalls	
Description	Size	Qty.	Size	Qty.
Side Poles	7' (2.1 m)	80	20' (6.1 m)	4
Center Pole(s)	22' (6.7 m)	13	30' (9.1 m)	24
Quarter Pole(s)	16' (4.8 m)	32		
Stake Plates	15" (38.1 cm)	116		
Double Head Stakes	42" (106.6 cm)	290		
Ratchet Buckles	2" (5.0 cm)	174		
Standard Pitch = 17' (5.1 m)				



Key							
Symbol	●	★	+	○	⋈	□	⋯
Description	Side Poles	Center Pole(s)	Quarter Pole(s)	Stake / Anchor	Ratchet Assembly	Stake Plate	Lace Line

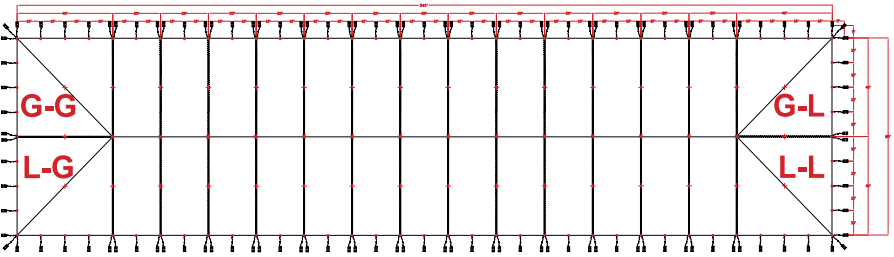
G-G=Grommet-Grommet / G-L=Grommet-Lace / L-G=Lace-Grommet / L-L=Lace-Lace

CELINA TENT EUROPE LTD. / GETTENT.CO.UK / +44 115 794 0041

# 80' x 340' (24.4 m x 103.6 m) 17 PC Pole

Pole Tent Parts & Accessories		
Description	Size	Qty.
Side Poles	7' (2.1 m)	84
Center Pole(s)	22' (6.7 m)	14
Quarter Pole(s)	16' (4.8 m)	34
Stake Plates	15" (38.1 cm)	122
Double Head Stakes	42" (106.6 cm)	306
Ratchet Buckles	2" (5.0 cm)	184
Standard Pitch = 17' (5.1 m)		

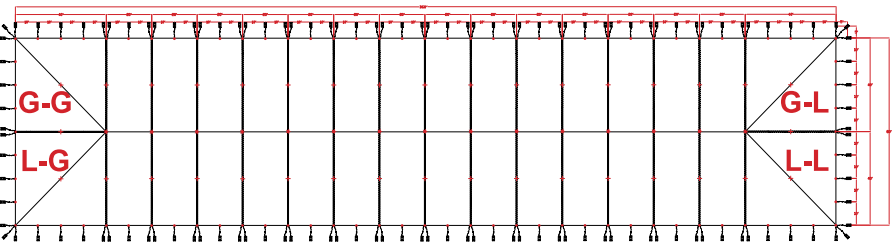
Sidewalls	
Size	Qty.
20' (6.1 m)	6
30' (9.1 m)	24



# 80' x 360' (24.4 m x 109.7 m) 18 PC Pole

Pole Tent Parts & Accessories		
Description	Size	Qty.
Side Poles	7' (2.1 m)	88
Center Pole(s)	22' (6.7 m)	15
Quarter Pole(s)	16' (4.8 m)	36
Stake Plates	15" (38.1 cm)	128
Double Head Stakes	42" (106.6 cm)	322
Ratchet Buckles	2" (5.0 cm)	194
Standard Pitch = 17' (5.1 m)		

Sidewalls	
Size	Qty.
20' (6.1 m)	2
30' (9.1 m)	28



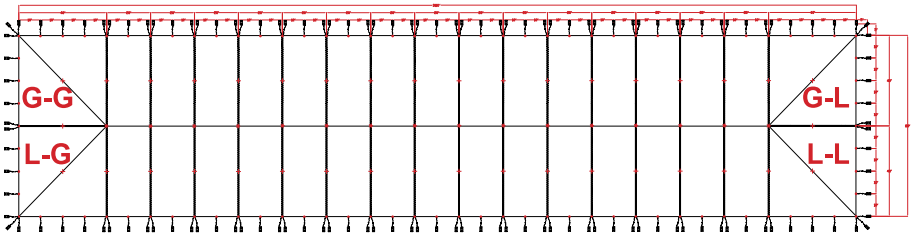
Key							
Symbol	●	★	+	○	⌘	□□	⋯
Description	Side Poles	Center Pole(s)	Quarter Pole(s)	Stake / Anchor	Ratchet Assembly	Stake Plate	Lace Line

G-G=Grommet-Grommet / G-L=Grommet-Lace / L-G=Lace-Grommet / L-L=Lace-Lace

## 80' x 380' (24.4 m x 115.8 m) 19 PC Pole

Pole Tent Parts & Accessories		
Description	Size	Qty.
Side Poles	7' (2.1 m)	92
Center Pole(s)	22' (6.7 m)	16
Quarter Pole(s)	16' (4.8 m)	38
Stake Plates	15" (38.1 cm)	134
Double Head Stakes	42" (106.6 cm)	338
Ratchet Buckles	2" (5.0 cm)	204
Standard Pitch = 17' (5.1 m)		

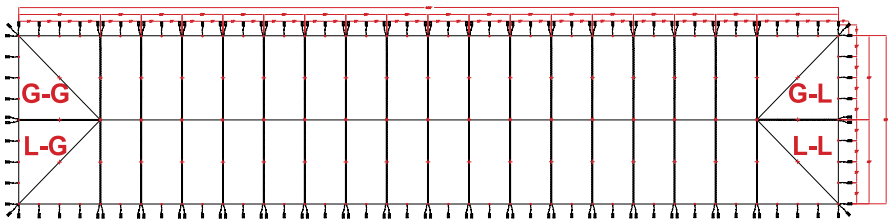
Sidewalls	
Size	Qty.
20' (6.1 m)	4
30' (9.1 m)	28



## 80' x 400' (24.4 m x 121.9 m) 20 PC Pole

Pole Tent Parts & Accessories		
Description	Size	Qty.
Side Poles	7' (2.1 m)	96
Center Pole(s)	22' (6.7 m)	17
Quarter Pole(s)	16' (4.8 m)	40
Stake Plates	15" (38.1 cm)	140
Double Head Stakes	42" (106.6 cm)	354
Ratchet Buckles	2" (5.0 cm)	214
Standard Pitch = 17' (5.1 m)		

Sidewalls	
Size	Qty.
20' (6.1 m)	6
30' (9.1 m)	28



### Key

Symbol	●	★	+	○	⋈	⊙	⋯
Description	Side Poles	Center Pole(s)	Quarter Pole(s)	Stake / Anchor	Ratchet Assembly	Stake Plate	Lace Line

G-G=Grommet-Grommet / G-L=Grommet-Lace / L-G=Lace-Grommet / L-L=Lace-Lace



# 80' (24.4 m) Wide

## Tents figured with 20' (6.1 m) Mid Combinations

<b>80' (24.4 m) Wide Pole</b>	<b>80' / 24.3 m</b>	<b>100' / 30 m</b>	<b>120' / 36.5 m</b>	<b>140' / 42.3 m</b>	<b>160' / 48.7 m</b>	<b>180' / 54.8 m</b>	<b>200' / 60.9 m</b>	<b>220' / 67 m</b>	<b>240' / 73.1 m</b>
Center Poles - 22' (6.7 m)	1	2	3	4	5	6	7	8	9
Side Poles	32	36	40	44	48	52	56	60	64
Quarter Poles - 16' (4.8 m)	8	10	12	14	16	18	20	22	24
Stakes Plates - 15" (38.1 cm)	44	50	56	62	68	74	80	86	92
Double Head Stakes	96	114	130	146	162	178	194	210	226
Ratchet Buckles	53	64	74	84	94	104	114	124	134
20' (6.1 m) Sidewalls (Yellow Tab)	4	6	2	4	6	2	4	6	2
30' (9.1 m) Sidewalls (Red Tab)	8	8	12	12	12	12	16	16	20
Square Footage/ Square Meters	6400 ft <sup>2</sup> / 594.5 m <sup>2</sup>	8000 ft <sup>2</sup> / 743.2 m <sup>2</sup>	9600 ft <sup>2</sup> / 891.8 m <sup>2</sup>	11200 ft <sup>2</sup> / 1040.5 m <sup>2</sup>	12800 ft <sup>2</sup> / 1189.1 m <sup>2</sup>	14400 ft <sup>2</sup> / 1337.8 m <sup>2</sup>	16000 ft <sup>2</sup> / 1486.4 m <sup>2</sup>	17600 ft <sup>2</sup> / 1635.0 m <sup>2</sup>	19200 ft <sup>2</sup> / 1783.7 m <sup>2</sup>

<b>80' (24.4 m) Wide Pole</b>	<b>260' / 79.2 m</b>	<b>280' / 85.3 m</b>	<b>300' / 91.4 m</b>	<b>320' / 97.5 m</b>	<b>340' / 103.6 m</b>	<b>360' / 109.7 m</b>	<b>380' / 115.8 m</b>	<b>400' / 121.9 m</b>
Center Poles - 22' (6.7 m)	10	11	12	13	14	15	16	17
Side Poles	68	72	76	80	84	88	92	96
Quarter Poles - 16' (4.8 m)	26	28	30	32	34	36	38	40
Stakes Plates - 15" (38.1 cm)	98	104	110	116	122	128	134	140
Double Head Stakes	242	258	274	290	306	322	338	354
Ratchet Buckles	144	154	164	174	184	194	204	214
20' (6.1 m) Sidewalls (Yellow Tab)	4	6	2	4	6	2	4	6
30' (9.1 m) Sidewalls (Red Tab)	20	20	24	24	24	28	28	28
Square Footage/ Square Meters	20800 ft <sup>2</sup> / 1932.3 m <sup>2</sup>	22400 ft <sup>2</sup> / 2081.0 m <sup>2</sup>	24000 ft <sup>2</sup> / 2229.6 m <sup>2</sup>	25600 ft <sup>2</sup> / 2378.3 m <sup>2</sup>	27200 ft <sup>2</sup> / 2526.9 m <sup>2</sup>	28800 ft <sup>2</sup> / 2675.6 m <sup>2</sup>	30400 ft <sup>2</sup> / 2824.2 m <sup>2</sup>	32000 ft <sup>2</sup> / 2972.8 m <sup>2</sup>



# Premiere I Series High Peak Pole



The Premiere I Series High Peak Pole Tent is designed to provide the tent with elegant curves and impressive peaks similar to our other high peaked tents, while also giving the tent added stability to withstand repeated installations and long-term use.

## TENSION TENT TOP



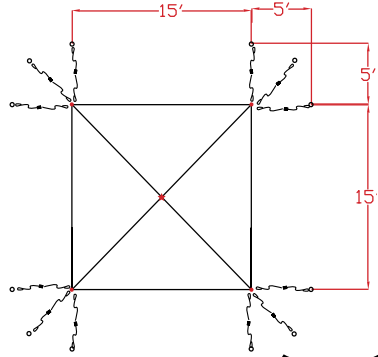
## TENT CONSTRUCTION:

- 16 oz (540 gsm) blockout, flame resistant, mold and mildew resistant vinyl
- All panels are bonded with 1" (25.4 mm) heat sealed overlapped seams
- 5/32" (3.9 mm) Nylon sidewall rope line around perimeter of tent top
- Sidewall rope line is replaceable if ever needed
- 2" (50.8 mm) vinyl webbing multi-layered reinforcements at all pole locations
- Tent top center pole ring assembly's are sewn and bolted in place for added support
- Jump ropes attached at each pole location
- Straight valances bound with vinyl binding
- 95% of tent top is bonded with **heat sealed** construction
- Stock colors and custom printing available by special order



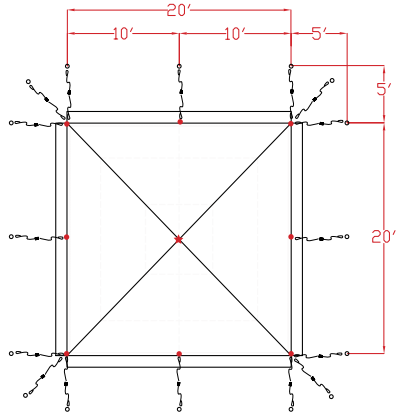
## 15' x 15' (4.5 m x 4.5 m) 1 PC Pole / Peak

Pole Tent Parts & Accessories		
Description	Size	Qty.
Side Poles	7' (2.1 m)	4
Center Pole(s)	14' (4.2 m)	1
Stakes	36" (91.4 cm)	12
Ratchet Buckles	2" (5.0 cm)	12
Sidewalls	20' (6.1 m)	-
Sidewalls	30' (9.1 m)	2
Standard Pitch = 7' (2.1 m)		



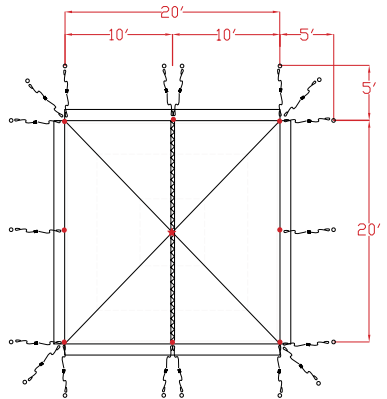
## 20' x 20' (6.1 m x 6.1 m) 1 PC Pole / Peak

Pole Tent Parts & Accessories		
Description	Size	Qty.
Side Poles	7' (2.1 m)	8
Center Pole(s)	14' (4.2 m)	1
Stakes	36" (91.4 cm)	16
Ratchet Buckles	2" (5.0 cm)	16
Sidewalls	20' (6.1 m)	4
Sidewalls	30' (9.1 m)	-
Standard Pitch = 7' (2.1 m)		



## 20' x 20' (6.1 m x 6.1 m) 2 PC Pole / Peak

Pole Tent Parts & Accessories		
Description	Size	Qty.
Side Poles	7' (2.1 m)	8
Center Pole(s)	14' (4.2 m)	1
Stakes	36" (91.4 cm)	18
Ratchet Buckles	2" (5.0 cm)	18
Sidewalls	20' (6.1 m)	4
Sidewalls	30' (9.1 m)	-
Standard Pitch = 7' (2.1 m)		

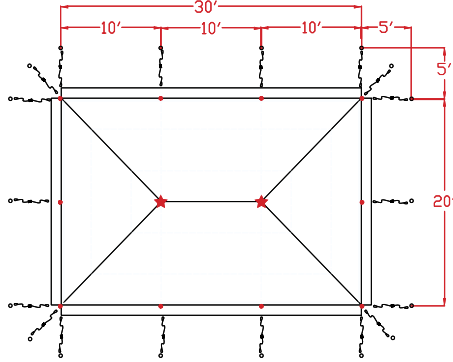


### Key

Symbol	●	★	○		
Item Description	Side Poles	Center Pole(s)	Stake / Anchor	Guy Rope / Web	Lace Line

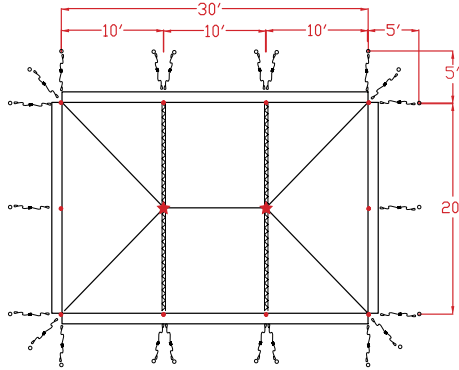
### 20' x 30' (6.1 m x 9.1 m) 1 PC Pole / Peak

Pole Tent Parts & Accessories		
Description	Size	Qty.
Side Poles	7' (2.1 m)	10
Center Pole(s)	14' (4.2 m)	2
Stakes	36" (91.4 cm)	18
Ratchet Buckles	2" (5.0 cm)	18
Sidewalls	20' (6.1 m)	2
Sidewalls	30' (9.1 m)	2
Standard Pitch = 7' (2.1 m)		



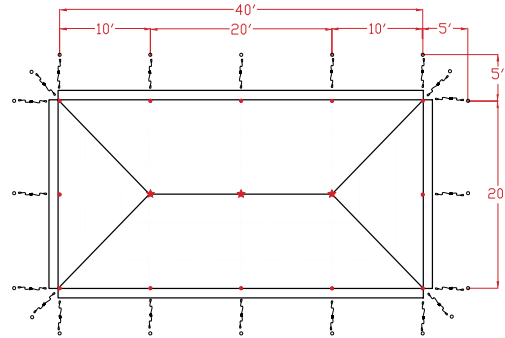
### 20' x 30' (6.1 m x 9.1 m) 3 PC Pole / Peak

Pole Tent Parts & Accessories		
Description	Size	Qty.
Side Poles	7' (2.1 m)	10
Center Pole(s)	14' (4.2 m)	2
Stakes	36" (91.4 cm)	22
Ratchet Buckles	2" (5.0 cm)	22
Sidewalls	20' (6.1 m)	2
Sidewalls	30' (9.1 m)	2
Standard Pitch = 7' (2.1 m)		



### 20' x 40' (6.1 m x 12.2 m) 1 PC Pole / Peak

Pole Tent Parts & Accessories		
Description	Size	Qty.
Side Poles	7' (2.1 m)	12
Center Pole(s)	14' (4.2 m)	3
Stakes	36" (91.4 cm)	20
Ratchet Buckles	2" (5.0 cm)	20
Sidewalls	20' (6.1 m)	6
Sidewalls	30' (9.1 m)	-
Standard Pitch = 7' (2.1 m)		

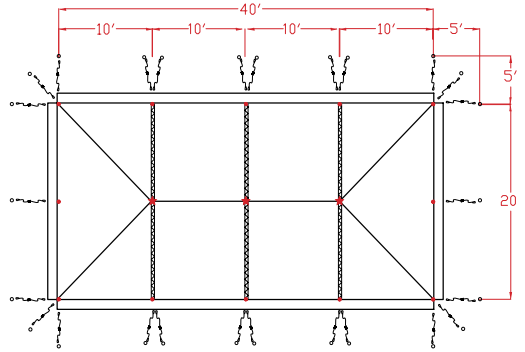


#### Key

Symbol	●	★	○	—	—
Item Description	Side Poles	Center Pole(s)	Stake / Anchor	Guy Rope / Web	Lace Line

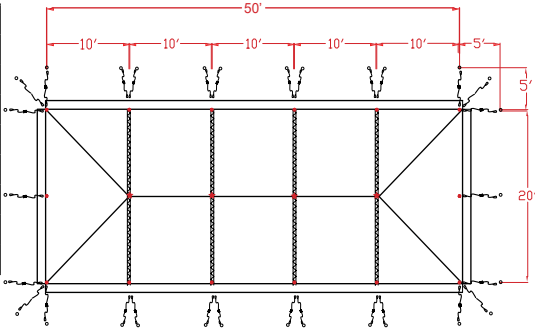
## 20' x 40' (6.1 m x 12.2 m) 4 PC Pole / Peak

Pole Tent Parts & Accessories		
Description	Size	Qty.
Side Poles	7' (2.1 m)	12
Center Pole(s)	14' (4.2 m)	3
Stakes	36" (91.4 cm)	26
Ratchet Buckles	2" (5.0 cm)	26
Sidewalls	20' (6.1 m)	6
Sidewalls	30' (9.1 m)	-
Standard Pitch = 7' (2.1 m)		



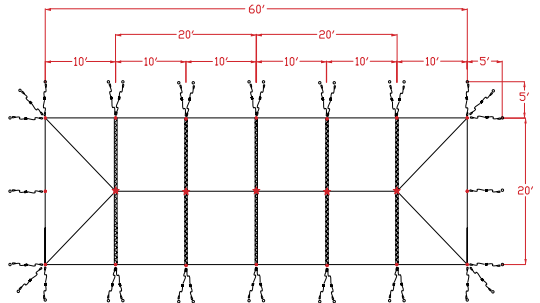
## 20' x 50' (6.1 m x 15.2 m) 5 PC Pole / Peak

Pole Tent Parts & Accessories		
Description	Size	Qty.
Side Poles	7' (2.1 m)	14
Center Pole(s)	14' (4.2 m)	4
Stakes	36" (91.4 cm)	30
Ratchet Buckles	2" (5.0 cm)	30
Sidewalls	20' (6.1 m)	4
Sidewalls	30' (9.1 m)	2
Standard Pitch = 7' (2.1 m)		



## 20' x 60' (6.1 m x 18.3 m) 6 PC Pole / Peak

Pole Tent Parts & Accessories		
Description	Size	Qty.
Side Poles	7' (2.1 m)	16
Center Pole(s)	14' (4.2 m)	5
Stakes	36" (91.4 cm)	34
Ratchet Buckles	2" (5.0 cm)	34
Sidewalls	20' (6.1 m)	2
Sidewalls	30' (9.1 m)	4
Standard Pitch = 7' (2.1 m)		



### Key

Symbol					
Item Description	Side Poles	Center Pole(s)	Stake / Anchor	Guy Rope / Web	Lace Line



## 20' (6.1 m) Wide

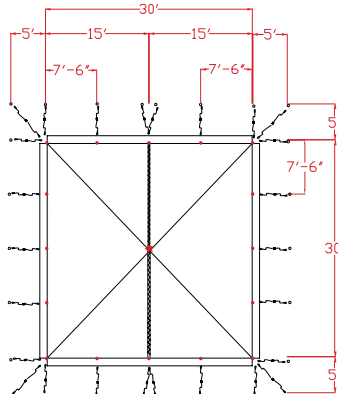
Tents figured with 10' (3 m) Mid Combinations

20' (6.1 m) Wide Pole	20'/ 6.1 m	30'/ 9.1 m	40'/ 12.1 m	50'/ 15.2 m	60'/ 18.2 m	70'/ 21.3 m	80'/ 24.3 m	90'/ 27.4 m	100'/ 30 m	110'/ 33.5 m	120'/ 36.5 m	130'/ 39.6 m	140'/ 42.6 m	150'/ 45.7 m
Center Poles - 14' (4.2 m)	1	2	3	4	5	6	7	8	9	10	11	12	13	14
Slide Poles	8	10	12	14	16	18	20	22	24	26	28	30	32	34
Quarter Poles	---	---	---	---	---	---	---	---	---	---	---	---	---	---
Stakes	18	22	26	30	34	38	42	46	48	52	56	60	64	68
Ratchet Buckles	18	22	26	30	34	38	42	46	48	52	56	60	64	68
20' (6.1 m) Sidewalls (Yellow Tab)	4	2	6	4	2	6	4	2	6	4	2	6	4	2
30' (9.1 m) Sidewalls (Red Tab)	---	2	---	2	4	2	4	6	4	6	8	6	8	10
Square Footage/ Square Meters	400 ft <sup>2</sup> / 37.1 m <sup>2</sup>	600 ft <sup>2</sup> / 55.7 m <sup>2</sup>	800 ft <sup>2</sup> / 74.3 m <sup>2</sup>	1000 ft <sup>2</sup> / 92.9 m <sup>2</sup>	1200 ft <sup>2</sup> / 111.4 m <sup>2</sup>	1400 ft <sup>2</sup> / 130.0 m <sup>2</sup>	1600 ft <sup>2</sup> / 148.6 m <sup>2</sup>	1800 ft <sup>2</sup> / 167.2 m <sup>2</sup>	2000 ft <sup>2</sup> / 185.8 m <sup>2</sup>	2200 ft <sup>2</sup> / 204.3 m <sup>2</sup>	2400 ft <sup>2</sup> / 222.9 m <sup>2</sup>	2600 ft <sup>2</sup> / 241.5 m <sup>2</sup>	2800 ft <sup>2</sup> / 260.1 m <sup>2</sup>	3000 ft <sup>2</sup> / 278.7 m <sup>2</sup>

20' (6.1 m) Wide Pole	160'/ 48.7 m	170'/ 51.8 m	180'/ 54.8 m	190'/ 57.9 m	200'/ 60.9 m	210'/ 64 m	220'/ 67 m	230'/ 70.1 m	240'/ 73.1 m	250'/ 76.2 m	260'/ 79.2 m	270'/ 82.2 m	280'/ 85.3 m	290'/ 88.3 m
Center Poles - 14' (4.2 m)	15	16	17	18	19	20	21	22	23	24	25	26	27	28
Slide Poles	36	38	40	42	44	46	48	50	52	54	56	58	60	62
Quarter Poles	---	---	---	---	---	---	---	---	---	---	---	---	---	---
Stakes	72	76	80	84	88	92	96	100	104	108	112	116	120	124
Ratchet Buckles	72	76	80	84	88	92	96	100	104	108	112	116	120	124
20' (6.1 m) Sidewalls (Yellow Tab)	6	4	2	6	4	2	6	4	2	6	4	2	6	4
30' (9.1 m) Sidewalls (Red Tab)	8	10	12	10	12	14	12	14	16	14	16	18	16	18
Square Footage/ Square Meters	3200 ft <sup>2</sup> / 297.2 m <sup>2</sup>	3400 ft <sup>2</sup> / 315.8 m <sup>2</sup>	3600 ft <sup>2</sup> / 334.4 m <sup>2</sup>	3800 ft <sup>2</sup> / 353.0 m <sup>2</sup>	4000 ft <sup>2</sup> / 371.6 m <sup>2</sup>	4200 ft <sup>2</sup> / 390.2 m <sup>2</sup>	4400 ft <sup>2</sup> / 408.7 m <sup>2</sup>	4600 ft <sup>2</sup> / 427.3 m <sup>2</sup>	4800 ft <sup>2</sup> / 445.9 m <sup>2</sup>	5000 ft <sup>2</sup> / 464.5 m <sup>2</sup>	5200 ft <sup>2</sup> / 483.0 m <sup>2</sup>	5400 ft <sup>2</sup> / 501.6 m <sup>2</sup>	5600 ft <sup>2</sup> / 520.2 m <sup>2</sup>	5800 ft <sup>2</sup> / 538.8 m <sup>2</sup>

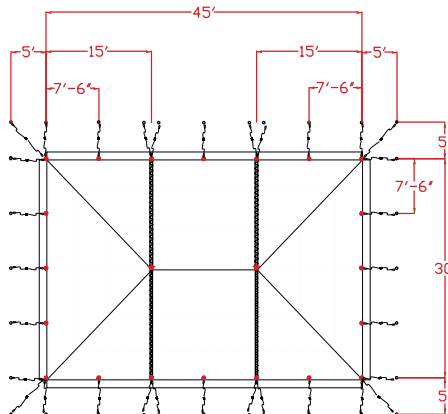
### 30' x 30' (9.1 m x 9.1 m) 2 PC Pole / Peak

Pole Tent Parts & Accessories		
Description	Size	Qty.
Side Poles	7' (2.1 m)	16
Center Pole(s)	18' (5.4 m)	1
Stakes	42" (106.6 cm)	26
Ratchet Buckles	2" (5.0 cm)	26
Sidewalls	20' (6.1 m)	-
Sidewalls	30' (9.1 m)	4
Standard Pitch = 11' (3.3 m)		



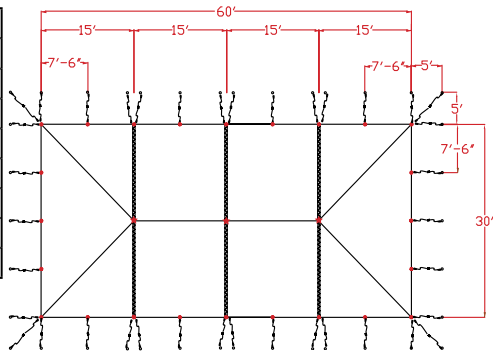
### 30' x 45' (9.1 m x 13.7 m) 3 PC Pole / Peak

Pole Tent Parts & Accessories		
Description	Size	Qty.
Side Poles	7' (2.1 m)	20
Center Pole(s)	18' (5.4 m)	2
Stakes	42" (106.6 cm)	32
Ratchet Buckles	2" (5.0 cm)	32
Sidewalls	20' (6.1 m)	-
Sidewalls	30' (9.1 m)	5
Standard Pitch = 11' (3.3 m)		



### 30' x 60' (9.1 m x 18.3 m) 4 PC Pole / Peak

Pole Tent Parts & Accessories		
Description	Size	Qty.
Side Poles	7' (2.1 m)	24
Center Pole(s)	18' (5.4 m)	3
Stakes	42" (106.6 cm)	38
Ratchet Buckles	2" (5.0 cm)	38
Sidewalls	20' (6.1 m)	-
Sidewalls	30' (9.1 m)	6
Standard Pitch = 11' (3.3 m)		

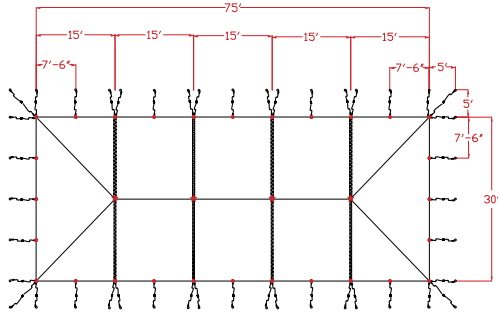


#### Key

Symbol	●	★	○	—	—
Item Description	Side Poles	Center Pole(s)	Stake / Anchor	Guy Rope / Web	Lace Line

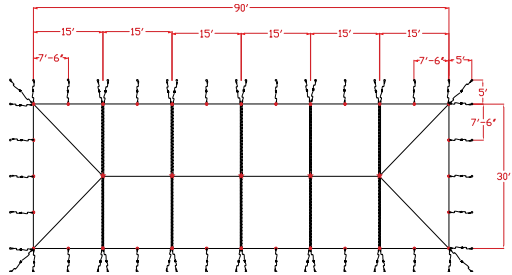
### 30' x 75' (9.1 m x 22.9 m) 5 PC Pole / Peak

Pole Tent Parts & Accessories		
Description	Size	Qty.
Side Poles	7' (2.1 m)	28
Center Pole(s)	18' (5.4 m)	4
Stakes	42" (106.6 cm)	44
Ratchet Buckles	2" (5.0 cm)	44
Sidewalls	20' (6.1 m)	-
Sidewalls	30' (9.1 m)	7
Standard Pitch = 11' (3.3 m)		



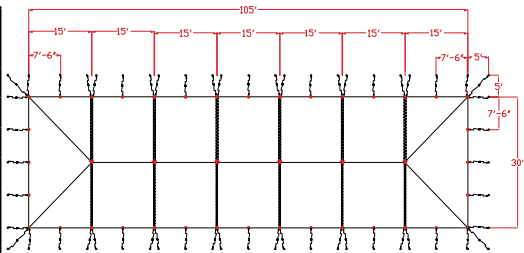
### 30' x 90' (9.1 m x 27.4 m) 6 PC Pole / Peak

Pole Tent Parts & Accessories		
Description	Size	Qty.
Side Poles	7' (2.1 m)	32
Center Pole(s)	18' (5.4 m)	5
Stakes	42" (106.6 cm)	50
Ratchet Buckles	2" (5.0 cm)	50
Sidewalls	20' (6.1 m)	-
Sidewalls	30' (9.1 m)	8
Standard Pitch = 11' (3.3 m)		



### 30' x 105' (9.1 m x 32 m) 7 PC Pole / Peak

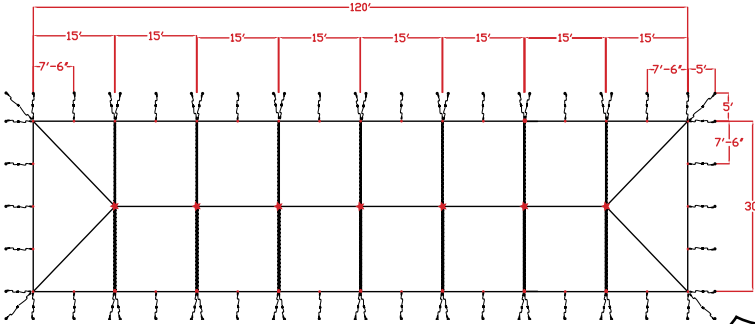
Pole Tent Parts & Accessories		
Description	Size	Qty.
Side Poles	7' (2.1 m)	36
Center Pole(s)	18' (5.4 m)	6
Stakes	42" (106.6 cm)	56
Ratchet Buckles	2" (5.0 cm)	56
Sidewalls	20' (6.1 m)	-
Sidewalls	30' (9.1 m)	9
Standard Pitch = 11' (3.3 m)		



Key					
Symbol	●	★	○		
Item Description	Side Poles	Center Pole(s)	Stake / Anchor	Guy Rope / Web	Lace Line

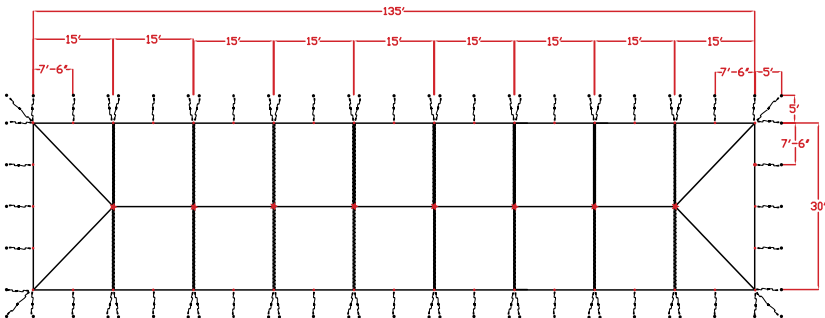
## 30' x 120' (9.1 m x 36.6 m) 8 PC Pole / Peak

Pole Tent Parts & Accessories		
Description	Size	Qty.
Side Poles	7' (2.1 m)	40
Center Pole(s)	18' (5.4 m)	7
Stakes	42" (106.6 cm)	62
Ratchet Buckles	2" (5.0 cm)	62
Sidewalls	20' (6.1 m)	-
Sidewalls	30' (9.1 m)	10
Standard Pitch = 11' (3.3 m)		



## 30' x 135' (9.1 m x 41.2 m) 9 PC Pole / Peak

Pole Tent Parts & Accessories		
Description	Size	Qty.
Side Poles	7' (2.1 m)	44
Center Pole(s)	18' (5.4 m)	8
Stakes	42" (106.6 cm)	68
Ratchet Buckles	2" (5.0 cm)	68
Sidewalls	20' (6.1 m)	-
Sidewalls	30' (9.1 m)	11
Standard Pitch = 11' (3.3 m)		



### Key

Symbol	●	★	○	— — — — —	— — — — —
Item Description	Side Poles	Center Pole(s)	Stake / Anchor	Guy Rope / Web	Lace Line





# 30' (9.1 m) Wide

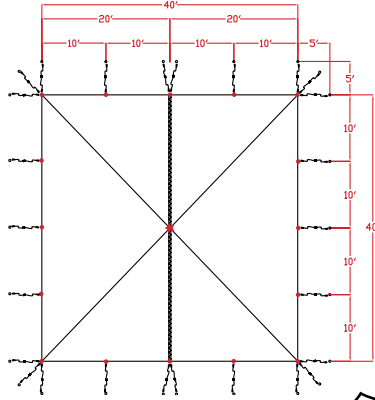
## Tents figured with 15' (4.5 m) Mid Combinations

30' (9.1 m) Wide Pole	30' / 9.1 m	45' / 13.7 m	60' / 18.2 m	75' / 22.8 m	90' / 27.4 m	105' / 32 m	120' / 36.5 m	135' / 41.1 m	150' / 45.7 m	165' / 50.2 m	180' / 54.8 m	195' / 59.4 m	210' / 64 m
Center Poles - 18' (5.4 m)	1	2	3	4	5	6	7	8	9	10	11	12	13
Side Poles	16	20	24	28	32	36	40	44	48	52	56	60	64
Quarter Poles	---	---	---	---	---	---	---	---	---	---	---	---	---
Stakes	26	32	38	44	50	56	62	68	74	80	86	92	98
Ratchet Buckles	26	32	38	44	50	56	62	68	74	80	86	92	98
20' (6.1 m) Sidewalls (Yellow Tab)	---	---	---	---	---	---	---	---	---	---	---	---	---
30' (9.1 m) Sidewalls (Red Tab)	4	5	6	7	8	9	10	11	12	13	14	15	16
Square Footage/ Square Meters	900 ft²/ 83.6 m²	1350 ft²/ 125.4 m²	1800 ft²/ 167.2 m²	2250 ft²/ 209.0 m²	2700 ft²/ 250.8 m²	3150 ft²/ 292.6 m²	3600 ft²/ 334.4 m²	4050 ft²/ 376.2 m²	4500 ft²/ 418.0 m²	4950 ft²/ 459.8 m²	5400 ft²/ 501.6 m²	5850 ft²/ 543.4 m²	6300 ft²/ 585.2 m²

30' (9.1 m) Wide Pole	225' / 66.5 m	240' / 73.1 m	255' / 77.7 m	270' / 82.2 m	285' / 86.8 m	300' / 91.4 m	315' / 96 m	330' / 100.5 m	345' / 105.1 m	360' / 109.7 m	375' / 114.3 m	390' / 118.8 m	405' / 123.4 m
Center Poles - 18' (5.4 m)	14	15	16	17	18	19	20	21	22	23	24	25	26
Side Poles	68	72	76	80	84	88	92	96	100	104	108	112	116
Quarter Poles	---	---	---	---	---	---	---	---	---	---	---	---	---
Stakes	104	110	116	122	128	134	140	146	152	158	164	170	176
Ratchet Buckles	104	110	116	122	128	137	140	146	152	158	164	170	176
20' (6.1 m) Sidewalls (Yellow Tab)	---	---	---	---	---	---	---	---	---	---	---	---	---
30' (9.1 m) Sidewalls (Red Tab)	17	18	19	20	21	22	23	24	25	26	27	28	29
Square Footage/ Square Meters	6750 ft²/ 627.0 m²	7200 ft²/ 668.9 m²	7650 ft²/ 710.7 m²	8100 ft²/ 752.5 m²	8550 ft²/ 794.3 m²	9000 ft²/ 836.1 m²	9450 ft²/ 877.9 m²	9900 ft²/ 919.7 m²	10350 ft²/ 961.5 m²	10800 ft²/ 1003.3 m²	11250 ft²/ 1045.1 m²	11700 ft²/ 1086.9 m²	12150 ft²/ 1128.7 m²

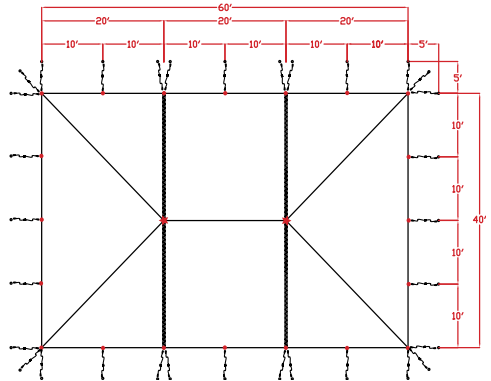
## 40' x 40' (12.2 m x 12.2 m) 2 PC Pole / Peak

Pole Tent Parts & Accessories		
Description	Size	Qty.
Side Poles	7' (2.1 m)	16
Center Pole(s)	21' (6.4 m)	1
Stakes	42" (106.6 cm)	26
Ratchet Buckles	2" (5.0 cm)	26
Sidewalls	20' (6.1 m)	8
Sidewalls	30' (9.1 m)	-
Standard Pitch = 14' (4.2 m)		



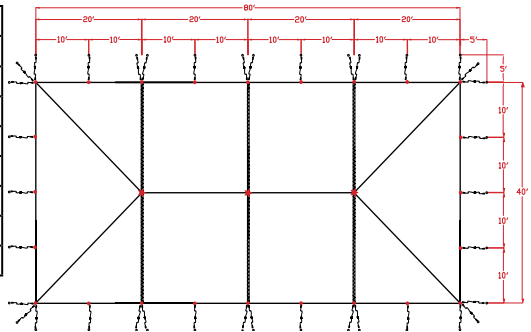
## 40' x 60' (12.2 m x 18.3 m) 3 PC Pole / Peak

Pole Tent Parts & Accessories		
Description	Size	Qty.
Side Poles	7' (2.1 m)	20
Center Pole(s)	21' (6.4 m)	2
Stakes	42" (106.6 cm)	32
Ratchet Buckles	2" (5.0 cm)	32
Sidewalls	20' (6.1 m)	4
Sidewalls	30' (9.1 m)	4
Standard Pitch = 14' (4.2 m)		



## 40' x 80' (12.2 m x 24.4 m) 4 PC Pole / Peak

Pole Tent Parts & Accessories		
Description	Size	Qty.
Side Poles	7' (2.1 m)	24
Center Pole(s)	21' (6.4 m)	3
Stakes	42" (106.6 cm)	38
Ratchet Buckles	2" (5.0 cm)	38
Sidewalls	20' (6.1 m)	6
Sidewalls	30' (9.1 m)	4
Standard Pitch = 14' (4.2 m)		

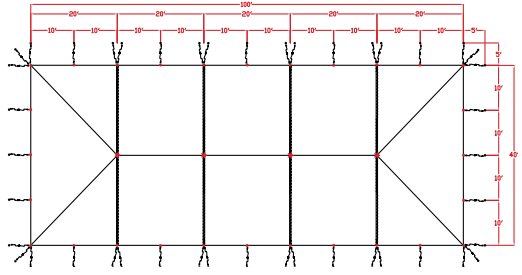


### Key

Symbol	●	★	○	—	—
Item Description	Side Poles	Center Pole(s)	Stake / Anchor	Guy Rope / Web	Lace Line

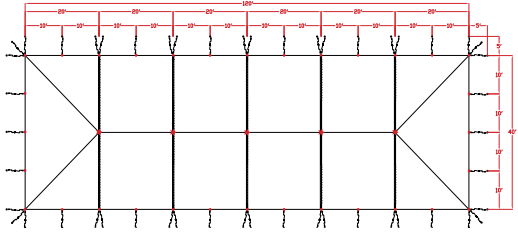
### 40' x 100' (12.2 m x 30 m) 5 PC Pole / Peak

Pole Tent Parts & Accessories		
Description	Size	Qty.
Side Poles	7' (2.1 m)	28
Center Pole(s)	21' (6.4 m)	4
Stakes	42" (106.6 cm)	44
Ratchet Buckles	2" (5.0 cm)	44
Sidewalls	20' (6.1 m)	8
Sidewalls	30' (9.1 m)	4
Standard Pitch = 14' (4.2 m)		



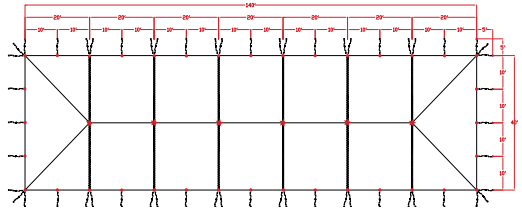
### 40' x 120' (12.2 m x 36.6 m) 6 PC Pole / Peak

Pole Tent Parts & Accessories		
Description	Size	Qty.
Side Poles	7' (2.1 m)	32
Center Pole(s)	21' (6.4 m)	5
Stakes	42" (106.6 cm)	50
Ratchet Buckles	2" (5.0 cm)	50
Sidewalls	20' (6.1 m)	4
Sidewalls	30' (9.1 m)	8
Standard Pitch = 14' (4.2 m)		



### 40' x 140' (12.2 m x 42.7 m) 7 PC Pole / Peak

Pole Tent Parts & Accessories		
Description	Size	Qty.
Side Poles	7' (2.1 m)	36
Center Pole(s)	21' (6.4 m)	6
Stakes	42" (106.6 cm)	56
Ratchet Buckles	2" (5.0 cm)	56
Sidewalls	20' (6.1 m)	6
Sidewalls	30' (9.1 m)	8
Standard Pitch = 14' (4.2 m)		

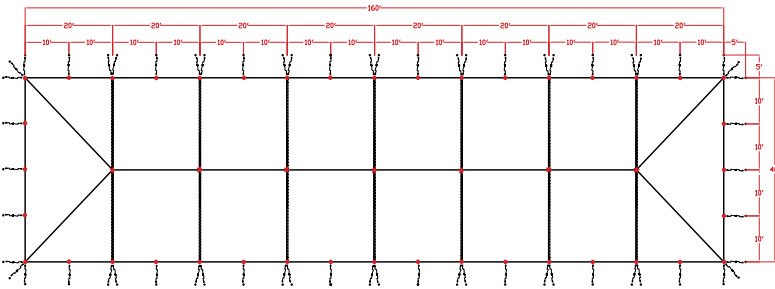


#### Key

Symbol	●	★	○		
Item Description	Side Poles	Center Pole(s)	Stake / Anchor	Guy Rope / Web	Lace Line

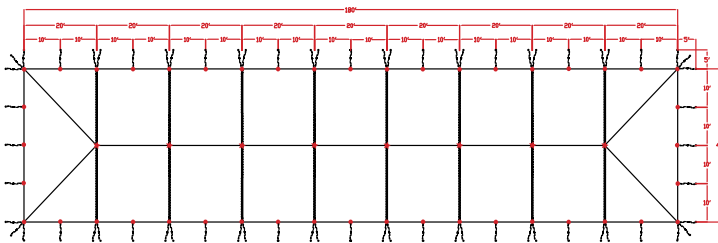
## 40' x 160' (12.2 m x 48.8 m) 8 PC Pole / Peak

Pole Tent Parts & Accessories		
Description	Size	Qty.
Side Poles	7' (2.1 m)	40
Center Pole(s)	21' (6.4 m)	7
Stakes	42" (106.6 cm)	62
Ratchet Buckles	2" (5.0 cm)	62
Sidewalls	20' (6.1 m)	8
Sidewalls	30' (9.1 m)	8
Standard Pitch = 14' (4.2 m)		



## 40' x 180' (12.2 m x 54.8 m) 9 PC Pole / Peak

Pole Tent Parts & Accessories		
Description	Size	Qty.
Side Poles	7' (2.1 m)	44
Center Pole(s)	21' (6.4 m)	8
Stakes	42" (106.6 cm)	68
Ratchet Buckles	2" (5.0 cm)	68
Sidewalls	20' (6.1 m)	4
Sidewalls	30' (9.1 m)	12
Standard Pitch = 14' (4.2 m)		



### Key

Symbol	●	★	○	— — — — —	— — — — —
Item Description	Side Poles	Center Pole(s)	Stake / Anchor	Guy Rope / Web	Lace Line



# 40' (12.2 m) Wide

## Tents figured with 20' (6.1 m) Mid Combinations

<b>40' (12.2 m) Wide Pole</b>	40' / 12.1 m	60' / 18.2 m	80' / 24.3 m	100' / 30 m	120' / 36.5 m	140' / 42.6 m	160' / 48.7 m	180' / 54.8 m	200' / 60.9 m	220' / 67 m	240' / 73.1 m	260' / 79.2 m
Center Poles - 21' (6.4 m)	1	2	3	4	5	6	7	8	9	10	11	12
Side Poles	16	20	24	28	32	36	40	44	48	52	56	60
Quarter Poles	---	---	---	---	---	---	---	---	---	---	---	---
Stakes	26	32	38	44	50	56	62	68	74	80	86	92
Ratchet Buckles	26	32	38	44	50	56	62	68	74	80	86	92
20' (6.1 m) Sidewalls (Yellow Tab)	8	4	6	8	4	6	8	4	6	8	4	6
30' (9.1 m) Sidewalls (Red Tab)	---	4	4	4	8	8	8	12	12	12	16	16
Square Footage/ Square Meters	1600 ft <sup>2</sup> / 148.6 m <sup>2</sup>	2400 ft <sup>2</sup> / 222.9 m <sup>2</sup>	3200 ft <sup>2</sup> / 297.2 m <sup>2</sup>	4000 ft <sup>2</sup> / 371.6 m <sup>2</sup>	4800 ft <sup>2</sup> / 445.9 m <sup>2</sup>	5600 ft <sup>2</sup> / 520.2 m <sup>2</sup>	6400 ft <sup>2</sup> / 594.5 m <sup>2</sup>	7200 ft <sup>2</sup> / 668.9 m <sup>2</sup>	8000 ft <sup>2</sup> / 743.2 m <sup>2</sup>	8800 ft <sup>2</sup> / 817.5 m <sup>2</sup>	9600 ft <sup>2</sup> / 891.8 m <sup>2</sup>	10400 ft <sup>2</sup> / 966.1 m <sup>2</sup>

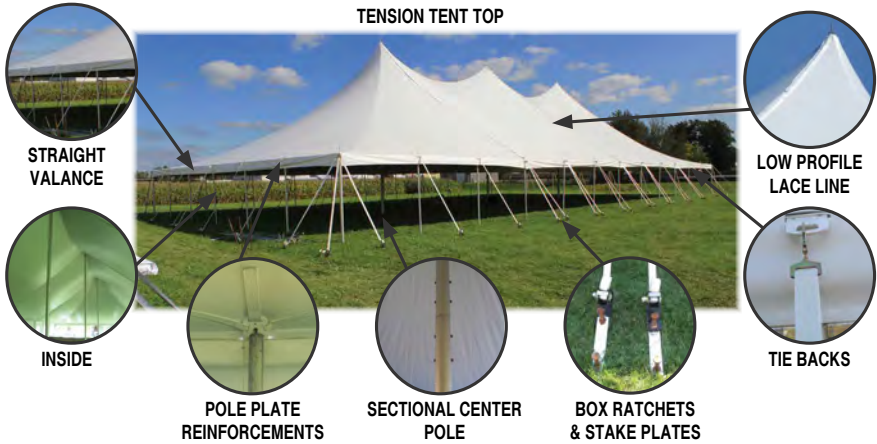
<b>40' (12.2 m) Wide Pole</b>	280' / 85.3 m	300' / 91.4 m	320' / 97.5 m	340' / 103.6 m	360' / 109.7 m	380' / 115.8 m	400' / 121.9 m	420' / 128 m	440' / 134.1 m	460' / 140.2 m	480' / 146.3 m	500' / 152.4 m
Center Poles - 21' (6.4 m)	13	14	15	16	17	18	19	20	21	22	23	24
Side Poles	64	68	72	76	80	84	88	92	96	100	104	108
Quarter Poles	---	---	---	---	---	---	---	---	---	---	---	---
Stakes	98	104	110	116	122	128	134	140	146	152	158	164
Ratchet Buckles	98	104	110	116	122	128	134	140	146	152	158	164
20' (6.1 m) Sidewalls (Yellow Tab)	8	4	6	8	4	6	8	4	6	8	4	6
30' (9.1 m) Sidewalls (Red Tab)	16	20	20	20	24	24	24	28	28	28	32	32
Square Footage/ Square Meters	11200 ft <sup>2</sup> / 1040.5 m <sup>2</sup>	12000 ft <sup>2</sup> / 1114.8 m <sup>2</sup>	12800 ft <sup>2</sup> / 1189.1 m <sup>2</sup>	13600 ft <sup>2</sup> / 1263.4 m <sup>2</sup>	14400 ft <sup>2</sup> / 1337.8 m <sup>2</sup>	15200 ft <sup>2</sup> / 1412.1 m <sup>2</sup>	16000 ft <sup>2</sup> / 1486.4 m <sup>2</sup>	16800 ft <sup>2</sup> / 1560.7 m <sup>2</sup>	17600 ft <sup>2</sup> / 1635.0 m <sup>2</sup>	18400 ft <sup>2</sup> / 1709.4 m <sup>2</sup>	19200 ft <sup>2</sup> / 1783.7 m <sup>2</sup>	20000 ft <sup>2</sup> / 1858.0 m <sup>2</sup>



# Premiere II Series Engineered High Peak Pole



The Premiere II Series Engineered High Peak Pole Tent is a fine outdoor wedding or commercial event tent, perfect for party rentals, concerts, church services, and any large scale venues that need shelter from the elements. This engineered tensioned tent provides smooth transitions within its sweeping design and high peak canopy. The Premiere II High Peak Pole Tent is engineered to withstand 90 mph and 3 second wind gusts, making it great for party rentals and high end events.



## TENT CONSTRUCTION:

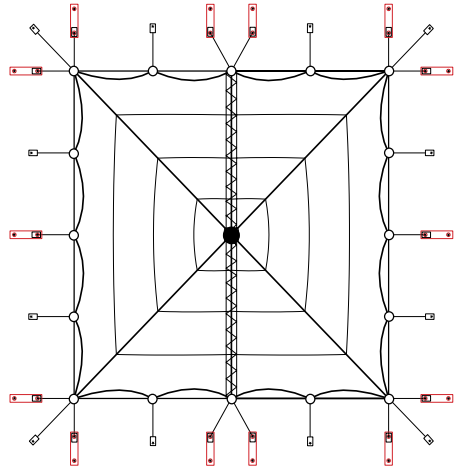
- 16 oz (540 gsm) blockout flame resistant, mold and mildew resistant vinyl for 30' (9.1 m) & 40' (12.1 m)
- 18 oz (610 gsm) blockout flame resistant, mold and mildew resistant vinyl for 50' (15.2 m) & 60' (18.2 m)
- Stainless steel powder coated white plates at the top of each pole
- 2" (50.8 mm) reinforcement webbing with an 11,000 lbs break strength on all lace lines, hip lines, and between center poles
- 10,000 lbs break strength tie back straps are anchored into a 10,000 lbs rated box ratchet with foot plate
- Jump ropes attached at each pole location
- 5/32" (3.9 mm) Nylon sidewall rope line around perimeter of tent top
- Sidewall rope line is replaceable if ever needed
- Universal end and mid sections designed to match up regardless of unfolded direction- No more problems matching lace lines in the field!

All Premiere II Tents come equipped with an Ohio Professional Engineering (P.E.) stamp of approval.



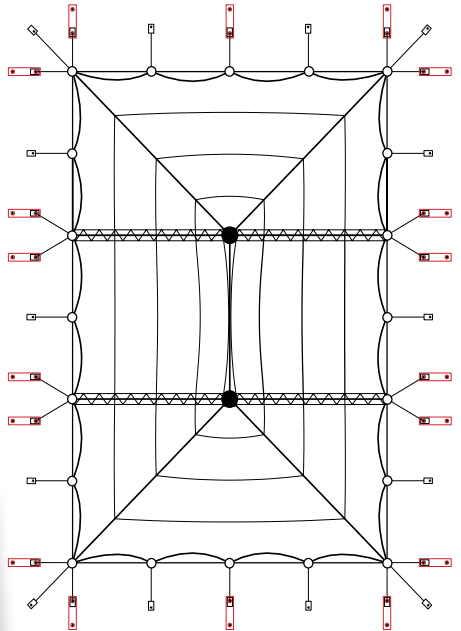
### 30' x 30' (9.1 m x 9.1 m) 2 PC PII

Pole Tent Parts & Accessories		
Description	Size	Qty.
Side Poles	7' (2.1 m)	16
Center Pole(s)	18' (5.4 m) 3.5" (8.8 cm) dia.	1
Stake Plates	15" (38.1 cm)	14
Double Headed Stakes	42" (106.6 cm)	41
Box Ratchet	2" (5.0 cm)	26
Tie Back	2" x 17' (5.0 cm x 5.1 m)	26
Center Pole Ratchet	5' (1.5 m)	1
Sidewalls	20' (6.1 m)	-
Sidewalls	30' (9.1 m)	4
Standard Pitch =11' (3.4 m)		



### 30' x 45' (9.1 m x 13.7 m) 3 PC PII

Pole Tent Parts & Accessories		
Description	Size	Qty.
Side Poles	7' (2.1 m)	20
Center Pole(s)	18' (5.4 m) 3.5" (8.8 cm) dia.	2
Stake Plates	15" (38.1 cm)	18
Double Headed Stakes	42" (106.6 cm)	52
Box Ratchet	2" (5.0 cm)	32
Tie Back	2" x 17' (5.0 cm x 5.1 m)	32
Center Pole Ratchet	5' (1.5 m)	2
Sidewalls	20' (6.1 m)	-
Sidewalls	30' (9.1 m)	5
Standard Pitch =11' (3.4 m)		

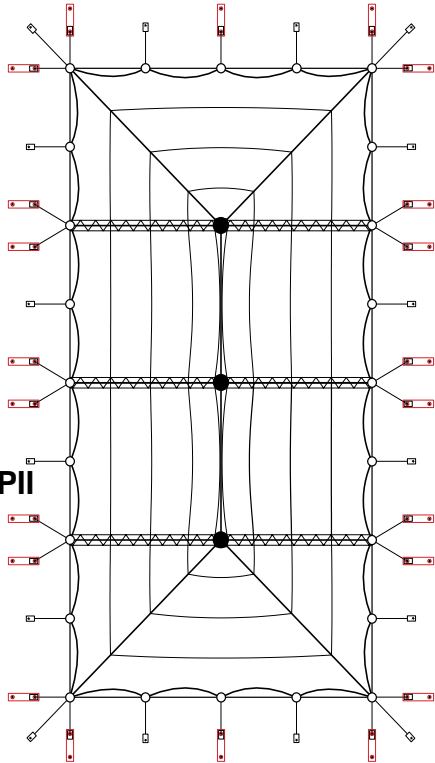


Key							
Symbol	○	●	◻	★	□	—	▨
Item Description	Side Poles	Center Pole(s)	Stake Plate	Stakes	Box Ratchet	Tie Backs	Lace Line



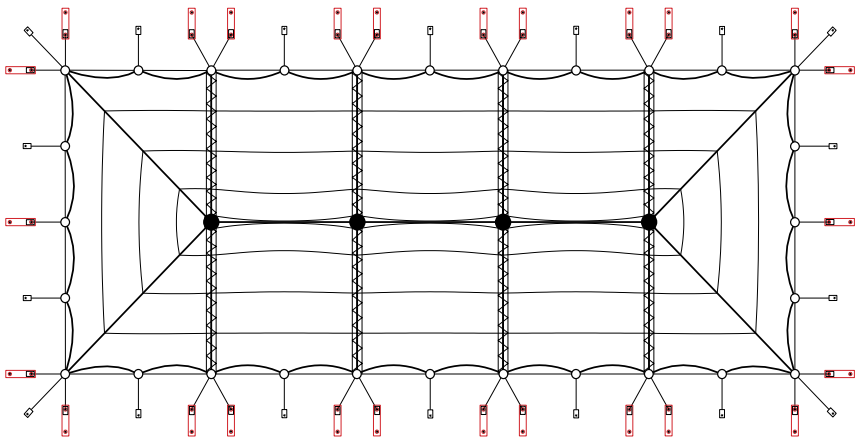
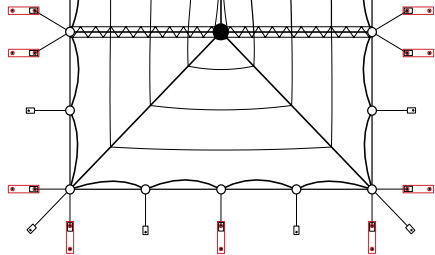
## 30' x 60' (9.1 m x 18.3 m) 4 PC PII

Pole Tent Parts & Accessories		
Description	Size	Qty.
Side Poles	7' (2.1 m)	24
Center Pole(s)	18' (5.4 m)	3
3.5" (8.8 cm) dia.		
Stake Plates	15" (38.1 cm)	22
Double Headed Stakes	42" (106.6 cm)	63
Box Ratchet	2" (5.0 cm)	38
Tie Back	2" x 17' (5.0 cm x 5.1 m)	38
Center Pole Ratchet	5' (1.5 m)	3
Sidewalls	20' (6.1 m)	-
Sidewalls	30' (9.1 m)	6
Standard Pitch = 11' (3.4 m)		



## 30' x 75' (9.1 m x 22.9 m) 5 PC PII

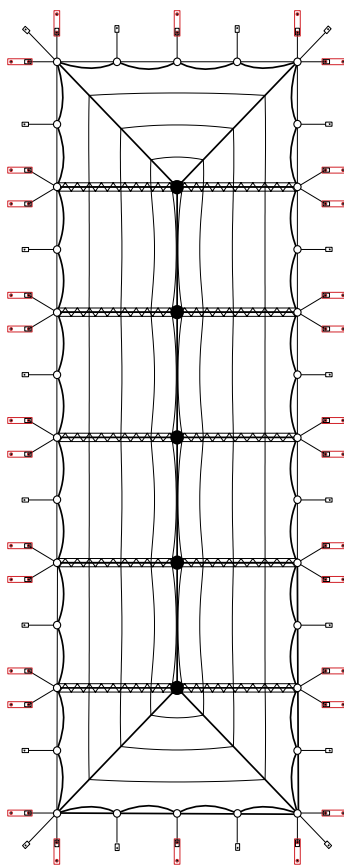
Pole Tent Parts & Accessories		
Description	Size	Qty.
Side Poles	7' (2.1 m)	28
Center Pole(s)	18' (5.4 m)	4
3.5" (8.8 cm) dia.		
Stake Plates	15" (38.1 cm)	26
Double Headed Stakes	42" (106.6 cm)	74
Box Ratchet	2" (5.0 cm)	44
Tie Back	2 x 17' (5.0 cm x 5.1 m)	44
Center Pole Ratchet	5' (1.5 m)	4
Sidewalls	20' (6.1 m)	-
Sidewalls	30' (9.1 m)	7
Standard Pitch = 11' (3.4 m)		



Key							
Symbol							
Item Description	Side Poles	Center Pole(s)	Stake Plate	Stakes	Box Ratchet	Tie Backs	Lace Line

## 30' x 90' (9.1 m x 27.4 m) 6 PC PII

Pole Tent Parts & Accessories		
Description	Size	Qty.
Side Poles	7' (2.1 m)	32
Center Pole(s) 3.5" (8.8 cm) dia.	18' (5.4 m)	5
Stake Plates	15" (38.1 cm)	30
Double Headed Stakes	42" (106.6 cm)	85
Box Ratchet	2" (5.0 cm)	50
Tie Back	2" x 17" (5.0 cm x 5.1 m)	50
Center Pole Ratchet	5' (1.5 m)	5
Sidewalls	20' (6.1 m)	-
Sidewalls	30' (9.1 m)	8
Standard Pitch = 11' (3.4 m)		

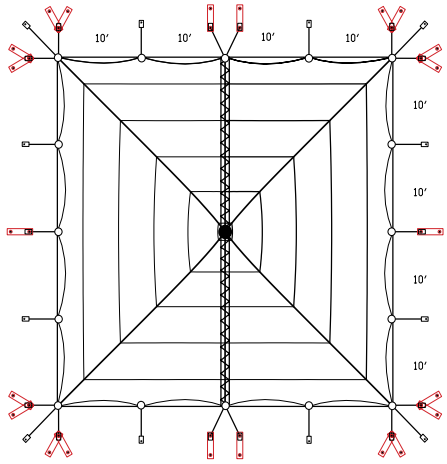


30' (9.1 m) Wide PII	30/ 9.1 m	45/ 13.7 m	60/ 18.2 m	75/ 22.8 m	90/ 27.4 m
Center Poles - 18' (5.4 m)/ 3.5" (8.8 cm) dia.	1	2	3	4	5
Side Poles - 7' (2.1 m)	16	20	24	28	32
Stake Plates	14	18	22	26	30
Double Headed Stakes	41	52	63	74	85
Box Ratchets	26	32	38	44	50
Tie Backs	26	32	38	44	50
Center Pole Ratchet	1	2	3	4	5
20' (6.1 m) Sidewalls (Yellow Tab)	---	---	---	---	---
30' (9.1 m) Sidewalls (Red Tab)	4	5	6	7	8
Square Footage/ Square Meters	900 ft²/ 83.6 m²	1350 ft²/ 125.4 m²	1800 ft²/ 167.2 m²	1500 ft²/ 139.3 m²	2250 ft²/ 209.0 m²

Key							
Symbol	○	●	◻	★	□	—	▤
Item Description	Side Poles	Center Pole(s)	Stake Plate	Stakes	Box Ratchet	Tie Backs	Lace Line

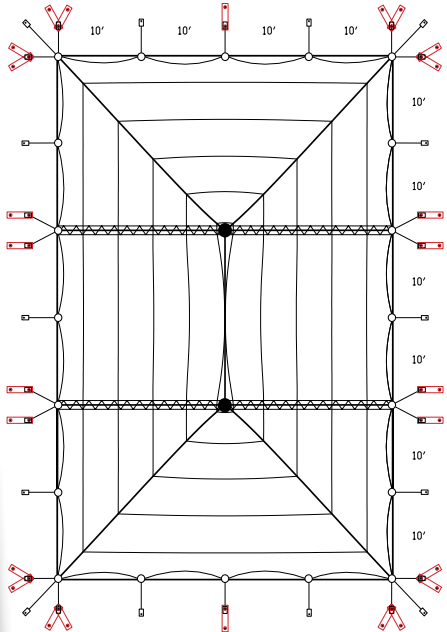
## 40' x 40' (12.2 m x 12.2 m) 2 PC PII

Pole Tent Parts & Accessories		
Description	Size	Qty.
Side Poles	7' (2.1 m)	16
Center Pole(s)	21' (6.4 m)	1
3.5" (8.8 cm) dia.		
Stake Plates	15" (38.1 cm)	22
Double Headed Stakes	42" (106.6 cm)	49
Box Ratchet	2" (5.0 cm)	26
Tie Back	2" x 17' (5.0 cm x 5.1 m)	26
Center Pole Ratchet	5' (1.5 m)	1
Sidewalls	20' (6.1 m)	8
Sidewalls	30' (9.1 m)	-
Standard Pitch = 14' (4.3 m)		



## 40' x 60' (12.2 m x 18.3 m) 3 PC PII

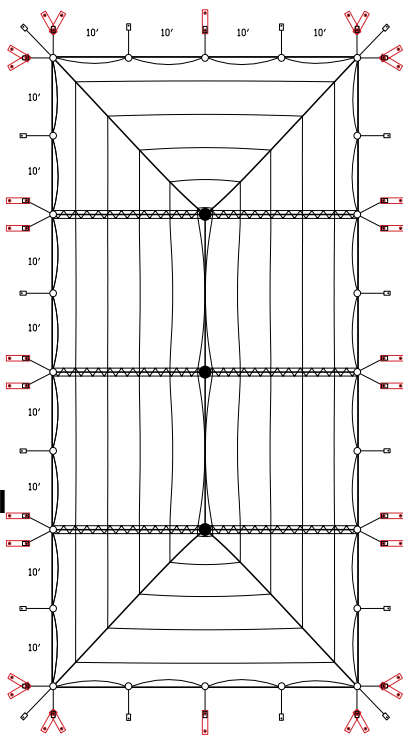
Pole Tent Parts & Accessories		
Description	Size	Qty.
Side Poles	7' (2.1 m)	20
Center Pole(s)	21' (6.4 m)	2
3.5" (8.8 cm) dia.		
Stake Plates	15" (38.1 cm)	26
Double Headed Stakes	42" (106.6 cm)	60
Box Ratchet	2" (5.0 cm)	32
Tie Back	2" x 17' (5.0 cm x 5.1 m)	32
Center Pole Ratchet	5' (1.5 m)	2
Sidewalls	20' (6.1 m)	4
Sidewalls	30' (9.1 m)	4
Standard Pitch = 14' (4.3 m)		



Key							
Symbol	○	●	□	★	□	—	▨
Item Description	Side Poles	Center Pole(s)	Stake Plate	Stakes	Box Ratchet	Tie Backs	Lace Line

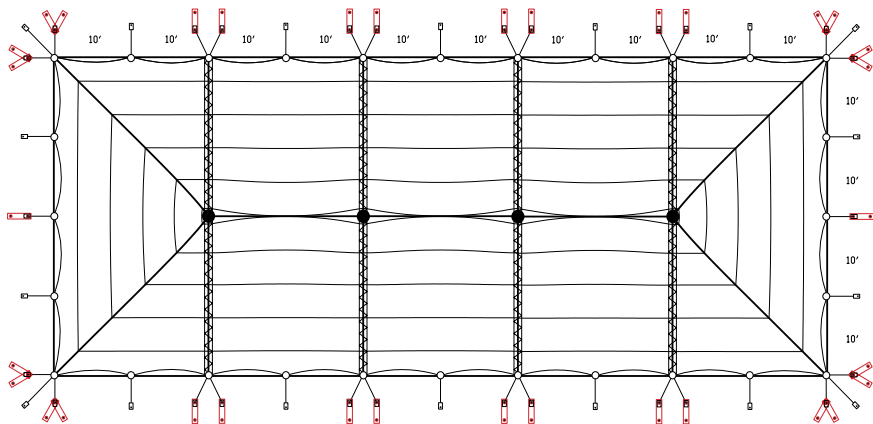
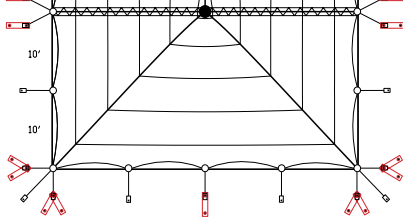
## 40' x 80' (12.2 m x 24.4 m) 4 PC PII

Pole Tent Parts & Accessories		
Description	Size	Qty.
Side Poles	7' (2.1 m)	24
Center Pole(s)	21' (6.4 m)	3
3.5" (8.8 cm) dia.		
Stake Plates	15" (38.1 cm)	30
Double Headed Stakes	42" (106.6 cm)	71
Box Ratchet	2" (5.0 cm)	38
Tie Back	2" x 17' (5.0 cm x 5.1 m)	38
Center Pole Ratchet	5' (1.5 m)	3
Sidewalls	20' (6.1 m)	6
Sidewalls	30' (9.1 m)	4
Standard Pitch = 14' (4.3 m)		



## 40' x 100' (12.2 m x 30 m) 5 PC PII

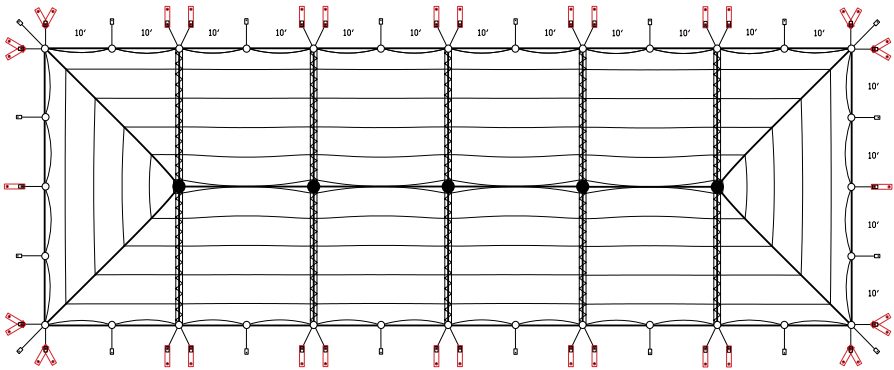
Pole Tent Parts & Accessories		
Description	Size	Qty.
Side Poles	7' (2.1 m)	28
Center Pole(s)	21' (6.4 m)	4
3.5" (8.8 cm) dia.		
Stake Plates	15" (38.1 cm)	34
Double Headed Stakes	42" (106.6 cm)	82
Box Ratchet	2" (5.0 cm)	44
Tie Back	2" x 17' (5.0 cm x 5.1 m)	44
Center Pole Ratchet	5' (1.5 m)	4
Sidewalls	20' (6.1 m)	8
Sidewalls	30' (9.1 m)	4
Standard Pitch = 14' (4.3 m)		



Key							
Symbol							
Item Description	Side Poles	Center Pole(s)	Stake Plate	Stakes	Box Ratchet	Tie Backs	Lace Line

# 40' x 120' (12.2 m x 36.5 m ) 6 PC PII

Pole Tent Parts & Accessories		
Description	Size	Qty.
Side Poles	7' (2.1 m)	32
Center Pole(s) 3.5" (8.8 cm) dia.	21' (6.4 m)	5
Stake Plates	15" (38.1 cm)	38
Double Headed Stakes	42" (106.6 cm)	93
Box Ratchet	2" (5.0 cm)	50
Tie Back	2" x 17" (5.0 cm x 5.1 m)	50
Center Pole Ratchet	5' (1.5 m)	5
Sidewalls	20' (6.1 m)	4
Sidewalls	30' (9.1 m)	8
Standard Pitch = 14' (4.3 m)		

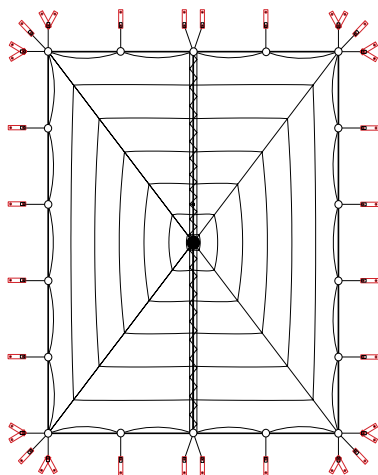


40' (12.2 m) Wide PII	40'/ 12.1 m	60'/ 18.2 m	80'/ 24.3 m	100'/ 30.4 m	120'/ 36.5 m
Center Poles - 21' (6.4 m)/ 3.5" (8.8 cm) dia.	1	2	3	4	5
Side Poles - 7' (2.1 m)	16	20	24	28	32
Stake Plates	22	26	30	34	38
Double Headed Stakes	49	60	71	82	93
Box Ratchets	26	32	38	44	50
Tie Backs	26	32	38	44	50
Center Pole Ratchet	1	2	3	4	5
20' (6.1 m) Sidewalls (Yellow Tab)	8	4	6	8	4
30' (9.1 m) Sidewalls (Red Tab)	---	4	4	4	8
Square Footage/ Square Meters	1600 ft²/ 148.6 m²	2400 ft²/ 222.9 m²	3200 ft²/ 297.2 m²	4000 ft²/ 371.6 m²	4800 ft²/ 445.9 m²

Key							
Symbol	○	●	◻	★	□	—	▨
Item Description	Side Poles	Center Pole(s)	Stake Plate	Stakes	Box Ratchet	Tie Backs	Lace Line

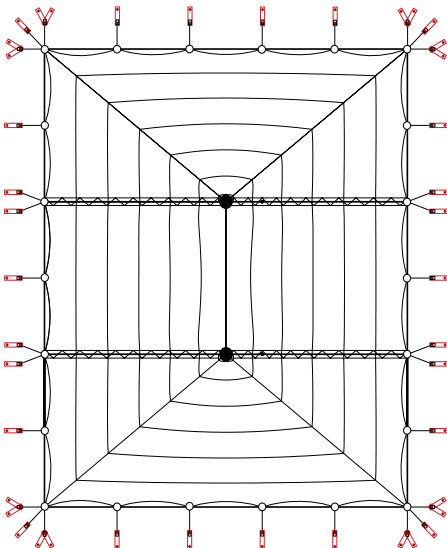
## 50' x 40' (15.2 m x 12.2 m) 2 PC PII

Pole Tent Parts & Accessories		
Description	Size	Qty.
Side Poles	8' (2.4 m)	18
Center Pole(s) 5" (12.7 cm) dia.	25' (7.6 m)	1
Stake Plates	15" (38.1 cm)	36
Double Headed Stakes	42" (106.6 cm)	65
Box Ratchet	2" (5.0 cm)	28
Tie Back	2" x 17" (5.0 cm x 5.1 m)	28
Center Pole Ratchet	5' (1.5 m)	1
Sidewalls	20' (6.1 m)	6
Sidewalls	30' (9.1 m)	2
Standard Pitch = 17' (5.2 m)		



## 50' x 60' (15.2 m x 18.3 m) 3 PC PII

Pole Tent Parts & Accessories		
Description	Size	Qty.
Side Poles	8' (2.4 m)	22
Center Pole(s) 5" (12.7 cm) dia.	25' (7.6 m)	2
Stake Plates	15" (38.1 cm)	42
Double Headed Stakes	42" (106.6 cm)	78
Box Ratchet	2" (5.0 cm)	34
Tie Back	2" x 17" (5.0 cm x 5.1 m)	34
Center Pole Ratchet	5' (1.5 m)	2
Sidewalls	20' (6.1 m)	2
Sidewalls	30' (9.1 m)	6
Standard Pitch = 17' (5.2 m)		

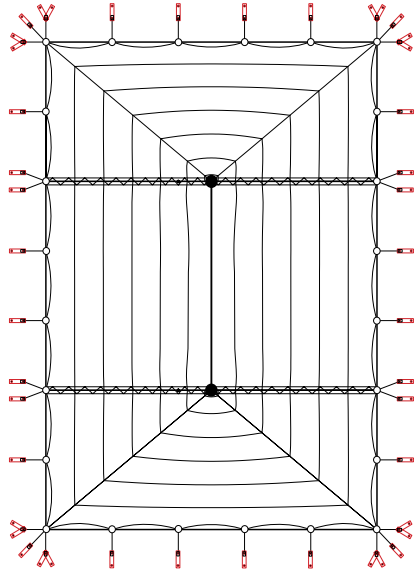


### Key

Symbol							
Item Description	Side Poles	Center Pole(s)	Stake Plate	Stakes	Box Ratchet	Tie Backs	Lace Line

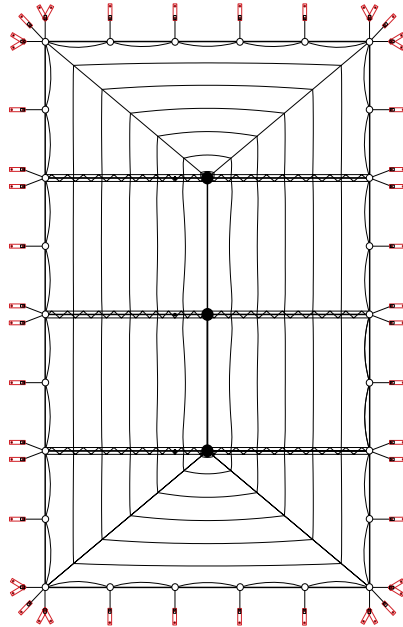
## 50' x 70' (15.2 m x 21.3 m) 3 PC PII

Pole Tent Parts & Accessories		
Description	Size	Qty.
Side Poles	8' (2.4 m)	24
Center Pole(s) 5" (12.7 cm) dia.	25' (7.6 m)	2
Stake Plates	15" (38.1 cm)	44
Double Headed Stakes	42" (106.6 cm)	82
Box Ratchet	2" (5.0 cm)	36
Tie Back	2" x 17" (5.0 cm x 5.1 m)	36
Center Pole Ratchet	5' (1.5 m)	2
Sidewalls	20' (6.1 m)	6
Sidewalls	30' (9.1 m)	4
Standard Pitch = 17' (5.2 m)		



## 50' x 80' (15.2 m x 24.4 m) 4 PC PII

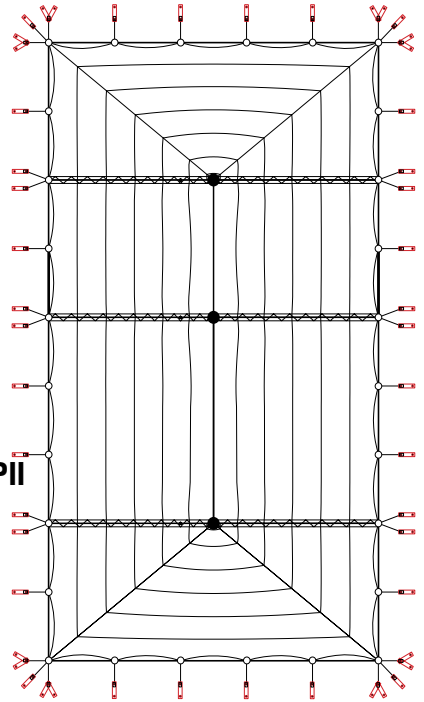
Pole Tent Parts & Accessories		
Description	Size	Qty.
Side Poles	8' (2.4 m)	26
Center Pole(s) 5" (12.7 cm) dia.	25' (7.6 m)	3
Stake Plates	15" (38.1 cm)	48
Double Headed Stakes	42" (106.6 cm)	91
Box Ratchet	2" (5.0 cm)	40
Tie Back	2" x 17" (5.0 cm x 5.1 m)	40
Center Pole Ratchet	5' (1.5 m)	3
Sidewalls	20' (6.1 m)	10
Sidewalls	30' (9.1 m)	2
Standard Pitch = 17' (5.2 m)		



Key							
Symbol	○	●	□	★	□	—	▤
Item Description	Side Poles	Center Pole(s)	Stake Plate	Stakes	Box Ratchet	Tie Backs	Lace Line

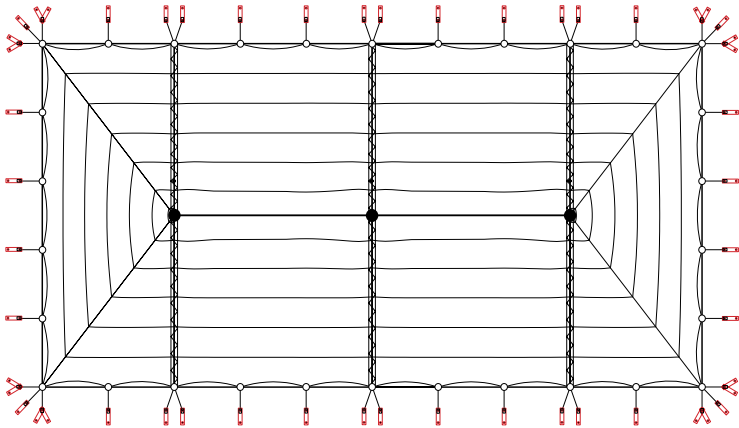
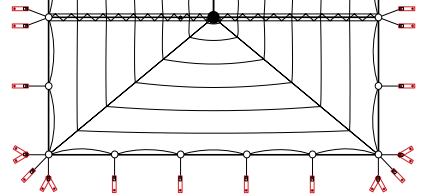
### 50' x 90' (15.2 m x 27.4 m) 4 PC PII

Pole Tent Parts & Accessories		
Description	Size	Qty.
Side Poles	8' (2.4 m)	28
Center Pole(s) 5" (12.7 cm) dia.	25' (7.6 m)	3
Stake Plates	15" (38.1 cm)	50
Double Headed Stakes	42" (106.6 cm)	95
Box Ratchet	2" (5.0 cm)	42
Tie Back	2" x 17" (5.0 cm x 5.1 m)	42
Center Pole Ratchet	5' (1.5 m)	3
Sidewalls	20' (6.1 m)	2
Sidewalls	30' (9.1 m)	8
Standard Pitch = 17' (5.2 m)		



### 50' x 100' (15.2 m x 30 m) 4 PC PII

Pole Tent Parts & Accessories		
Description	Size	Qty.
Side Poles	8' (2.4 m)	30
Center Pole(s) 5" (12.7 cm) dia.	25' (7.6 m)	3
Stake Plates	15" (38.1 cm)	52
Double Headed Stakes	42" (106.6 cm)	99
Box Ratchet	2" (5.0 cm)	44
Tie Back	2" x 17" (5.0 cm x 5.1 m)	44
Center Pole Ratchet	5' (1.5 m)	3
Sidewalls	20' (6.1 m)	12
Sidewalls	30' (9.1 m)	2
Standard Pitch = 17' (5.2 m)		

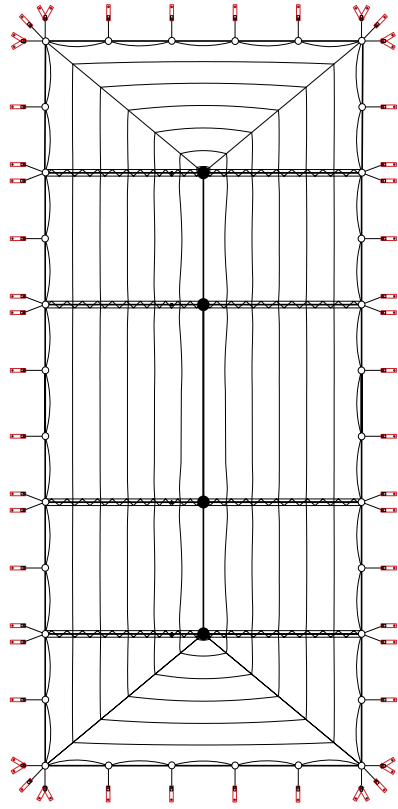


Key							
Symbol							
Item Description	Side Poles	Center Pole(s)	Stake Plate	Stakes	Box Ratchet	Tie Backs	Lace Line



# 50' x 110' (15.2 m x 33.5 m) 5 PC PII

Pole Tent Parts & Accessories		
Description	Size	Qty.
Side Poles	8' (2.4 m)	32
Center Pole(s) 5" (12.7 cm) dia.	25' (7.6 m)	4
Stake Plates	15" (38.1 cm)	56
Double Headed Stakes	42" (106.6 cm)	108
Box Ratchet	2" (5.0 cm)	48
Tie Back	2" x 17' (5.0 cm x 5.1 m)	48
Center Pole Ratchet	5' (1.5 m)	4
Sidewalls	20' (6.1 m)	4
Sidewalls	30' (9.1 m)	8
Standard Pitch = 17' (5.2 m)		

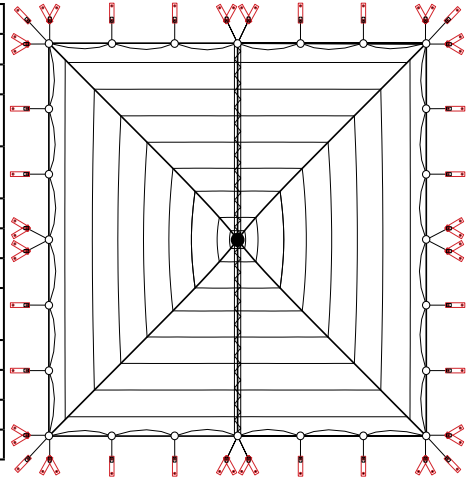


50' (15.2 m) Wide PII	40'/ 12.1 m	60'/ 18.2 m	70'/ 21.3 m	80'/ 24.3 m	90'/ 27.4 m	100'/ 30 m	110'/ 33.5 m
Center Poles - 25' (7.6 m) / 5" (12.7 cm) dia.	1	2	2	3	3	3	4
Side Poles - 8' (2.4 m)	18	22	24	26	28	30	32
Stake Plates	36	42	44	48	50	52	56
Double Headed Stakes	65	78	82	91	95	99	108
Box Ratchets	28	34	36	40	42	44	48
Tie Backs	28	34	36	40	42	44	48
Center Pole Ratchet	1	2	2	3	3	3	4
20' (6.1 m) Sidewalls (Yellow Tab)	6	2	6	10	2	12	4
30' (9.1 m) Sidewalls (Red Tab)	2	6	4	2	8	2	8
Square Footage/ Square Meters	2000 ft²/ 185.8 m²	3000 ft²/ 278.7 m²	3500 ft²/ 325.1 m²	4000 ft²/ 371.6 m²	4500 ft²/ 418.0 m²	5000 ft²/ 464.5 m²	5500 ft²/ 510.9 m²

Key							
Symbol	○	●	◻	★	□	—	▨
Item Description	Side Poles	Center Pole(s)	Stake Plate	Stakes	Box Ratchet	Tie Backs	Lace Line

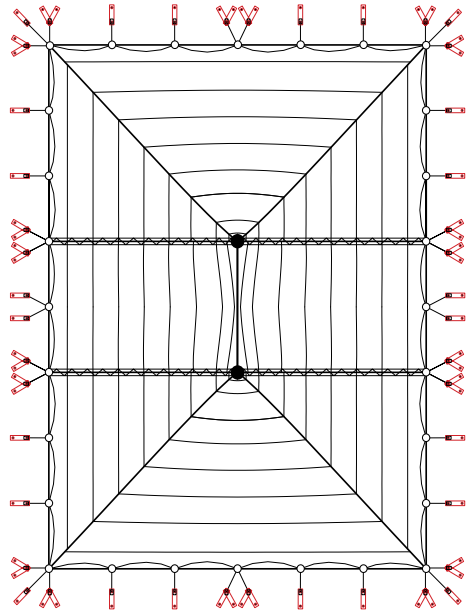
## 60' x 60' (18.3 m x 18.3 m) 2 PC PII

Pole Tent Parts & Accessories		
Description	Size	Qty.
Side Poles	8' (2.4 m)	20
Corner Poles 3.5" (8.8 cm) dia.	8' (2.4 m)	4
Center Pole(s) 6" (15.2 m) dia.	29' (8.8 m)	1
Stake Plates	15" (38.1 cm)	52
*Double Headed Stakes	42" (106.6 cm)	89
Box Ratchet	2" (5.0 cm)	36
*Tie Back	2" x 17" (5.0 cm x 5.1 m)	36
Center Pole Ratchet	5' (1.5 m)	1
Sidewalls	20' (6.1 m)	---
Sidewalls	30' (9.1 m)	8
Standard Pitch = 21' (6.4 m)		



## 60' x 80' (18.3 m x 24.3 m) 3 PC PII

Pole Tent Parts & Accessories		
Description	Size	Qty.
Side Poles	8' (2.4 m)	24
Corner Poles 3.5" (8.8 cm) dia.	8' (2.4 m)	4
Center Pole(s) 6" (15.2 m) dia.	29' (8.8 m)	2
Stake Plates	15" (38.1 cm)	64
*Double Headed Stakes	42" (106.6 cm)	110
Box Ratchet	2" (5.0 cm)	44
*Tie Back	2" x 17" (5.0 cm x 5.1 m)	44
Center Pole Ratchet	5' (1.5 m)	2
Sidewalls	20' (6.1 m)	2
Sidewalls	30' (9.1 m)	8
Standard Pitch = 21' (6.4 m)		

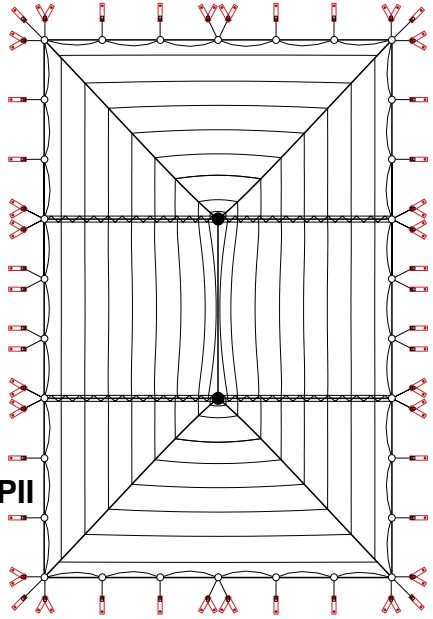


\* Numbers Include 4 extra

Key							
Symbol							
Item Description	Side Poles	Center Pole(s)	Stake Plate	Stakes	Box Ratchet	Tie Backs	Lace Line

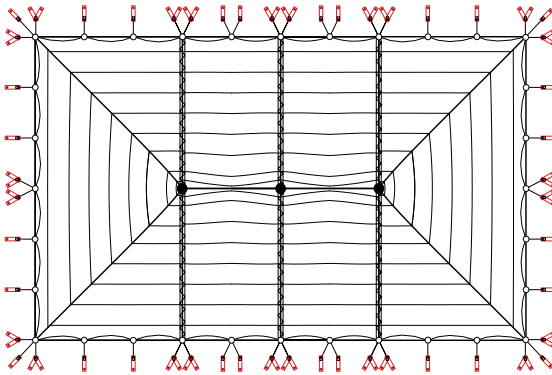
## 60' x 90' (18.3 m x 27.4 m) 3 PC PII

Pole Tent Parts & Accessories		
Description	Size	Qty.
Side Poles	8' (2.4 m)	26
Corner Poles 3.5" (8.8 cm) dia.	8' (2.4 m)	4
Center Pole(s) 6" (15.2 m) dia.	29' (8.8 m)	2
Stake Plates	15" (38.1 cm)	68
Double Headed Stakes	42" (106.6 cm)	118
Box Ratchet	2" (5.0 cm)	48
Tie Back	2" x 17' (5.0 cm x 5.1 m)	48
Center Pole Ratchet	5' (1.5 m)	2
Sidewalls	20' (6.1 m)	---
Sidewalls	30' (9.1 m)	10
Standard Pitch = 21' (6.4 m)		



## 60' x 100' (18.3 m x 30 m) 4 PC PII

Pole Tent Parts & Accessories		
Description	Size	Qty.
Side Poles	8' (2.4 m)	32
Corner Poles 3.5" (8.8 cm) dia.	8' (2.4 m)	
Center Pole(s) 6" (15.2 m) dia.	29' (8.8 m)	3
Stake Plates	15" (38.1 cm)	76
*Double Headed Stakes	42" (106.6 cm)	131
Box Ratchet	2" (5.0 cm)	52
*Tie Back	2" x 17' (5.0 cm x 5.1 m)	52
Center Pole Ratchet	5' (1.5 m)	3
Sidewalls	20' (6.1 m)	4
Sidewalls	30' (9.1 m)	8
Standard Pitch = 21' (6.4 m)		

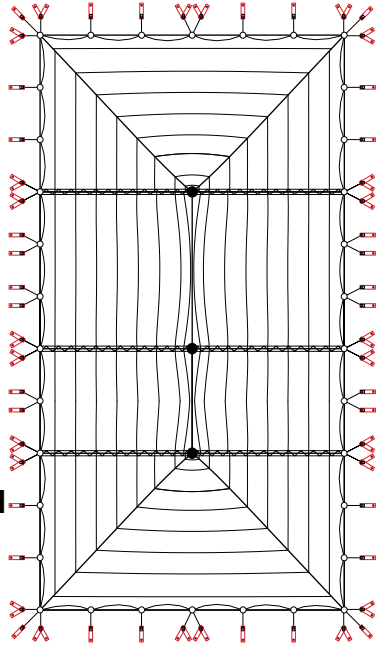


\* Numbers Include 4 extra

Key							
Symbol	○	●	□	★	□	—	▨
Item Description	Side Poles	Center Pole(s)	Stake Plate	Stakes	Box Ratchet	Tie Backs	Lace Line

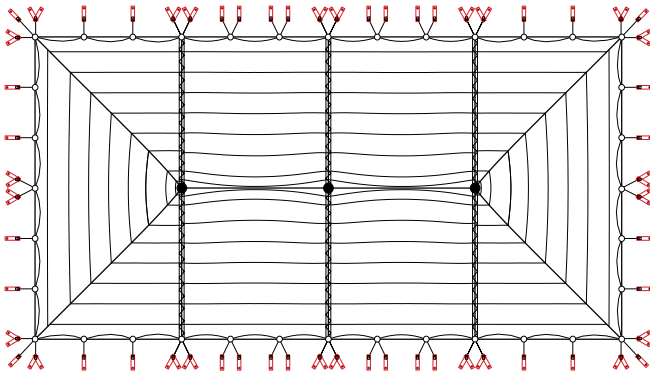
## 60' x 110' (18.3 m x 33.5 m) 4 PC PII

Pole Tent Parts & Accessories		
Description	Size	Qty.
Side Poles	8' (2.4 m)	30
Corner Poles 3.5" (8.8 cm) dia.	8' (2.4 m)	4
Center Pole(s) 6" (15.2 m) dia.	29' (8.8 m)	3
*Stake Plates	15" (38.1 cm)	80
Double Headed Stakes	42" (106.6 cm)	139
Box Ratchet	2" (5.0 cm)	56
*Tie Back	2" x 17' (5.0 cm x 5.1 m)	56
Center Pole Ratchet	5' (1.5 m)	3
Sidewalls	20' (6.1 m)	2
Sidewalls	30' (9.1 m)	10
Standard Pitch = 21' (6.4 m)		



## 60' x 120' (18.3 m x 36.6 m) 4 PC PII

Pole Tent Parts & Accessories		
Description	Size	Qty.
Side Poles	8' (2.4 m)	32
Corner Poles 3.5" (8.8 cm) dia.	8' (2.4 m)	4
Center Pole(s) 6" (15.2 m) dia.	29' (8.8 m)	3
*Stake Plates	15" (38.1 cm)	84
Double Headed Stakes	42" (106.6 cm)	147
Box Ratchet	2" (5.0 cm)	60
*Tie Back	2" x 17' (5.0 cm x 5.1 m)	60
Center Pole Ratchet	5' (1.5 m)	3
Sidewalls	20' (6.1 m)	---
Sidewalls	30' (9.1 m)	12
Standard Pitch = 21' (6.4 m)		



\* Numbers Include 4 extra

Key							
Symbol	○	●	◻	★	□	—	▨
Item Description	Side Poles	Center Pole(s)	Stake Plate	Stakes	Box Ratchet	Tie Backs	Lace Line



**60' (18.3 m) Wide**

	<b>60' / 18.2 m</b>	<b>80' / 24.3 m</b>	<b>90' / 27.4 m</b>	<b>100' / 30 m</b>	<b>110' / 33.5 m</b>	<b>120' / 36.5 m</b>	<b>150' / 45.7 m</b>	<b>180' / 54.8 m</b>
<b>60' (18.3 m) Wide Pll</b>	1	2	2	3	3	3	4	5
Center Poles - 29' (8.8 m) \ 6" (15.2 cm) dia.								
Side Poles - 8' (2.4 m)	24	28	30	32	34	36	42	48
Stake Plates	52	64	68	76	80	84	100	116
Double Headed Stakes	89	110	118	131	139	147	176	205
Box Ratchets	89	44	48	52	56	60	72	84
Tie Backs	36	44	48	52	56	60	72	84
Center Pole Ratchet	1	2	2	3	3	3	4	5
20' (6.1 m) Sidewalls (Yellow Tab)	---	2	---	4	2	---	---	---
30' (9.1 m) Sidewalls (Red Tab)	8	8	10	8	10	12	14	16
Square Footage/ Square Meters	3600 ft <sup>2</sup> / 334.4 m <sup>2</sup>	4800 ft <sup>2</sup> / 445.9 m <sup>2</sup>	5400 ft <sup>2</sup> / 501.6 m <sup>2</sup>	6000 ft <sup>2</sup> / 557.4 m <sup>2</sup>	6600 ft <sup>2</sup> / 613.1 m <sup>2</sup>	7200 ft <sup>2</sup> / 668.9 m <sup>2</sup>	9000 ft <sup>2</sup> / 836.1 m <sup>2</sup>	10800 ft <sup>2</sup> / 1003.3 m <sup>2</sup>

# Presto! Series Pole Canopies



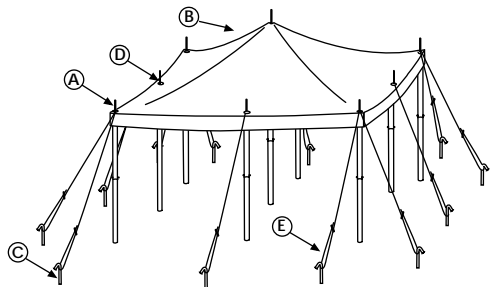
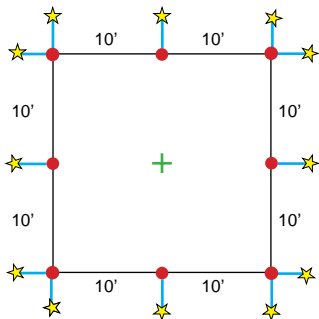
Celina's 'Over the Counter Canopy', the Presto! Canopy is simple and affordable enough to be useful to both tent rental companies and for homeowner use as well. The Presto! Canopy comes with everything needed for immediate assembly, and includes bags for easy storage and transportation.



## 20' x 20' (6.1 m x 6.1 m) Presto

Letter	Symbol	Description	Qty	Picture
A	●	7' (2.1 m) Side Poles (2 Piece)	8	
B	+	12'9" (3.8 m) Center Pole (4 Piece)	1	
C	★	24.6" (7.4 m) Anchoring Pins	12	
D		Tent Top	1	
E	—	Guy ropes (Attached to tent top)	12	

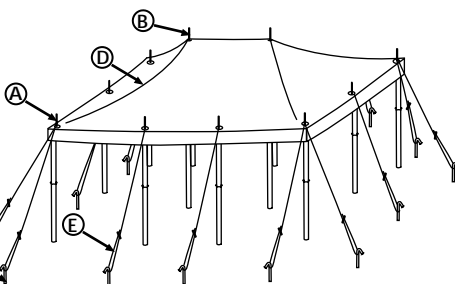
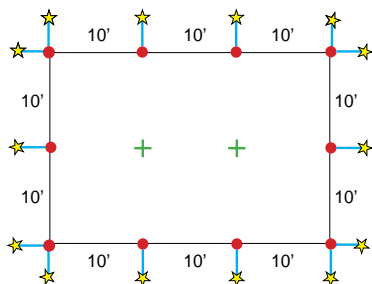
Standard Pitch = 5.75' (1.7 m)



## 20' x 30' (6.1 m x 9.1 m) Presto

Letter	Symbol	Description	Qty	Picture
A	●	7' (2.1 m) Side Poles (2 Piece)	10	
B	+	12'9" (3.8 m) Center Pole (4 Piece)	2	
C	★	24.6" (7.4 m) Anchoring Pins	14	
D		Tent Top	1	
E	—	Guy ropes (Attached to tent top)	14	

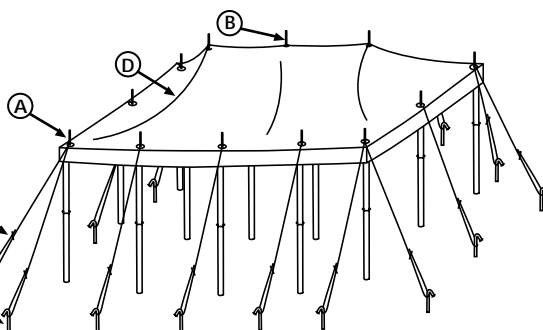
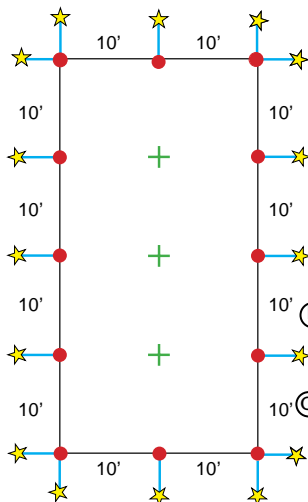
Standard Pitch = 5.75' (1.7 m)



## 20' x 40' (6.1 m x 12.1 m) Presto

Letter	Symbol	Description	Qty	Picture
A	●	7' (2.1 m) Side Poles (2 Piece)	12	
B	+	12'9" (3.8 m) Center Pole (4 Piece)	3	
C	★	24.6" (7.4 m) Anchoring Pins	16	
D		Tent Top	1	
E	—	Guy ropes (Attached to tent top)	16	

Standard Pitch = 5.75' (1.7 m)



# TP Series

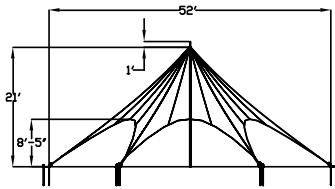


The TP Series Tent is a unique pole tent because of its high peak and unconventional canopy design. Two colors come standard on this tent, making it easy to catch the eyes of viewers when used as a promotional tent or at places like car dealerships. The TP Series can also be custom printed with your brand or logo. The TP Series footprint is approximately 52 ft. (16 m) in diameter.

## TENSION TENT TOP

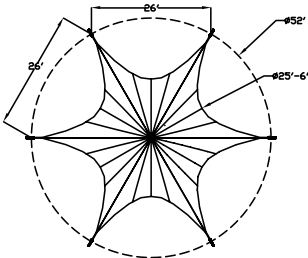


## ELEVATION

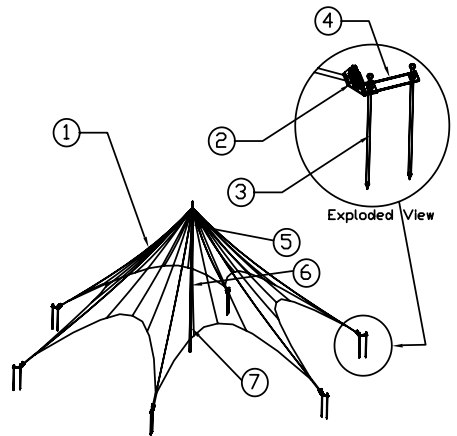


## PLAN VIEW

Note: The 25' (7.6 m) - 6" (15.2 cm) Diameter Circle Inside the Arches gives you a total of 510 ft<sup>2</sup>/47.4 m<sup>2</sup> of coverage.



Layout template included for quick setup



TP Series			
#	Part #	Qty.	Description
1	TP652	1	52' (16 m) Diameter TP Series Tent Top
2	HW2BRWFP	6	2" (5 cm) Box Ratchet w/ Foot Plate
3	ACTS4212	12	42" (106.6 cm) Double Headed Stake
4	ACSTKPLT15	6	15" (38.1 cm) Stake Plate w/ 2 Holes
5	AHDAP8T35	1	3.5" (8.8 cm) Schedule 40 Alum. / 8' (2.4 m) Ctr. Pole Top
6	AHDAP5135	1	3.5" (8.8 cm) Schedule 40 Alum. / 5' (1.5 m) Ctr. Pole Insert
7	AHDAP8B35	1	3.5" (8.8 cm) Schedule 40 Alum. / 8' (2.4 m) Ctr. Pole Bottom



# Pythagorean Tent Squaring

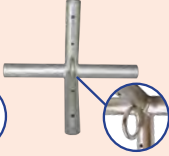
	20' (6.1 m)	30' (9.1 m)	40' (12.1 m)	50' (15.2 m)	60' (18.2 m)	70' (21.3 m)	80' (24.3 m)	90' (27.4 m)	100' (30 m)
20' (6.1 m)	28'3" (8.6 m)	---	---	---	---	---	---	---	---
30' (9.1 m)	36'1" (10.9 m)	42'5" (12.9 m)	---	---	---	---	---	---	---
40' (12.1 m)	44'9" (13.6 m)	50'0" (15.2 m)	56'7" (17.2 m)	---	---	---	---	---	---
45' (13.7 m)	49'3" (15.0 m)	54'1" (16.4 m)	60'3" (18.3 m)	---	---	---	---	---	---
50' (15.2 m)	53'10" (16.4 m)	58'4" (17.7 m)	64'0" (19.5 m)	70'9" (21.5 m)	---	---	---	---	---
60' (18.2 m)	63'3" (19.2 m)	67'1" (20.4 m)	72'1" (21.9 m)	78'1" (23.7 m)	84'10" (25.8 m)	---	---	---	---
70' (21.3 m)	72'10" (22.1 m)	76'2" (23.2 m)	80'7" (24.5 m)	86'0" (26.2 m)	92'2" (28.0 m)	98'6" (30.0 m)	---	---	---
75' (22.8 m)	77'7" (23.6 m)	80'9" (24.6 m)	85'0" (25.9 m)	90'2" (27.4 m)	96'0" (29.2 m)	102'7" (31.2 m)	---	---	---
80' (24.3 m)	82'6" (25.1 m)	85'5" (26.0 m)	89'5" (27.2 m)	94'4" (28.7 m)	100'0" (30.4 m)	106'4" (32.4 m)	113'2" (34.4 m)	---	---
90' (27.4 m)	92'2" (28.0 m)	94'10" (28.9 m)	98'6" (30.0 m)	102'11" (31.3 m)	108'2" (32.9 m)	114'0" (34.7 m)	120'5" (36.7 m)	127'3" (38.7 m)	---
100' (30 m)	102'0" (31.0 m)	104'5" (31.8 m)	107'8" (32.8 m)	111'10" (34.0 m)	116'7" (35.5 m)	122'1" (37.2 m)	128'1" (39.0 m)	134'6" (40.9 m)	141'5" (43.1 m)
110' (33.5 m)	111'10" (34.0 m)	114'0" (34.7 m)	117'1" (35.6 m)	120'10" (36.8 m)	125'4" (38.2 m)	130'5" (39.7 m)	136'0" (41.4 m)	142'2" (43.3 m)	148'8" (45.3 m)
120' (36.5 m)	121'8" (37.0 m)	123'8" (37.6 m)	126'6" (38.5 m)	130'0" (39.6 m)	134'2" (40.8 m)	138'11" (42.3 m)	144'3" (43.9 m)	150'0" (45.7 m)	156'2" (47.5 m)
130' (39.6 m)	131'6" (40.0 m)	133'5" (40.6 m)	136'0" (41.4 m)	139'3" (42.8 m)	143'2" (43.6 m)	147'8" (45.0 m)	152'8" (46.5 m)	158'1" (48.1 m)	164'0" (49.9 m)
140' (42.3 m)	141'4" (43.0 m)	143'2" (43.6 m)	145'7" (44.3 m)	148'8" (45.3 m)	152'8" (46.5 m)	156'6" (47.7 m)	161'3" (49.1 m)	166'5" (50.7 m)	172'0" (52.4 m)
150' (45.7 m)	151'4" (46.1 m)	153'0" (46.6 m)	155'3" (47.3 m)	158'1" (48.1 m)	161'7" (49.2 m)	165'6" (50.4 m)	170'0" (51.8 m)	174'11" (53.3 m)	180'3" (54.9 m)
160' (48.7 m)	161'3" (49.1 m)	162'9" (49.6 m)	164'11" (50.2 m)	167'7" (51.0 m)	170'11" (52.0 m)	174'8" (53.2 m)	178'11" (54.5 m)	183'6" (55.9 m)	188'8" (57.5 m)
170' (51.8 m)	171'2" (52.1 m)	172'8" (52.6 m)	174'8" (53.2 m)	177'2" (54.0 m)	180'3" (54.9 m)	183'10" (56.0 m)	187'11" (57.2 m)	192'4" (58.6 m)	197'3" (60.1 m)
180' (54.8 m)	181'1" (55.1 m)	182'6" (55.6 m)	184'5" (56.2 m)	186'10" (56.9 m)	189'9" (57.8 m)	193'2" (58.8 m)	197'0" (60.0 m)	202'3" (61.6 m)	205'11" (62.7 m)
190' (57.9 m)	191'1" (58.2 m)	192'4" (58.6 m)	194'2" (59.1 m)	196'6" (59.8 m)	199'3" (60.7 m)	202'6" (61.7 m)	206'2" (62.8 m)	210'3" (64.0 m)	214'9" (65.4 m)
200' (60.9 m)	201'0" (61.2 m)	202'3" (61.6 m)	204'0" (62.1 m)	206'2" (62.8 m)	208'10" (63.3 m)	211'11" (64.5 m)	215'5" (65.6 m)	219'4" (66.8 m)	223'7" (68.1 m)
210' (64 m)	211'0" (64.3 m)	212'2" (64.6 m)	213'9" (65.1 m)	215'10" (65.7 m)	218'5" (66.5 m)	221'4" (67.4 m)	224'8" (68.4 m)	228'6" (69.6 m)	232'7" (70.8 m)
220' (67 m)	221'0" (67.3 m)	220'0" (67.0 m)	223'7" (68.1 m)	225'7" (68.7 m)	228'0" (69.6 m)	230'10" (70.3 m)	234'1" (71.3 m)	237'8" (72.4 m)	241'8" (73.6 m)

**ACCESS STEP-BY-STEP INSTRUCTIONS BY VISITING  
OUR YOUTUBE CHANNEL. SUBSCRIBE TODAY!**

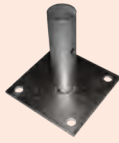
# Frame Fittings



**Corner**  
F01COR



**Side Tee with Ring**  
F02STRING



**Base Plate**  
F03BP



**8 Way Crown**  
F048WC



**6 Way Crown**  
F056WC



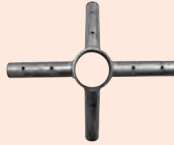
**4 Way Crown**  
F064WC



**3 Way Crown**  
F073WC



**Ridge Crown**  
F08RC



**Master Series High Peak Ridge Crown Fitting**  
F08RCMHP



**Master Series High Peak Center Pole Adaptor**  
F45MHPCA



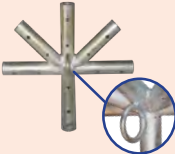
**Master Series Base Plate**  
F39MB



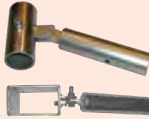
**Adjustable Crown**  
F09AC



**6 Way Hip Joint**  
F106WHJ



**6 Way Side Tee w/ Ring**  
F116WSTRING



**Ridge Support Bracket**  
F12RSB  
F12RSBADT



**Water Gutter Fitting**  
F19WGF



**Gable Left Corner**  
F13GLC



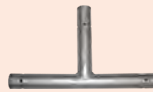
**Gable Right Corner**  
F14GRC



**Gable 3 Way Crown**  
F15G3WC



**Gable 4 Way Crown**  
F16G4WC



**3 Way Flat Tee**  
F173WFT



**4 Way Flat Tee**  
F184WFT



**2 Way Flat Tee**  
F302WFT



**Square Corner**  
F31SC



**2 Way Corner Rail Fitting**  
F202WCRF



**1 Way Corner Rail Fitting**  
F211WERF



**2 Way Straight Rail Fitting**  
F222WSRF



**3 Way Corner Rail Fitting**  
F233WCRF



**Corner Brace**  
F24CB



**Side Brace**  
F26SB

## Adjustable Base Plate

F27ABP4

F28ABP3

F29ABP2



**Adjustable Double Tube Brace**  
F37DTADJBACE



**Pinnacle Corner Fitting**  
CC01COR



**Pinnacle Side Tee**  
CC04ST



**Pinnacle Base Plate**  
CC02BP



The one stop shop  
for all your **tent,**  
**shelter** and **fabric**  
**structure** needs!



**CELINA**<sup>™</sup>  
Celina.com