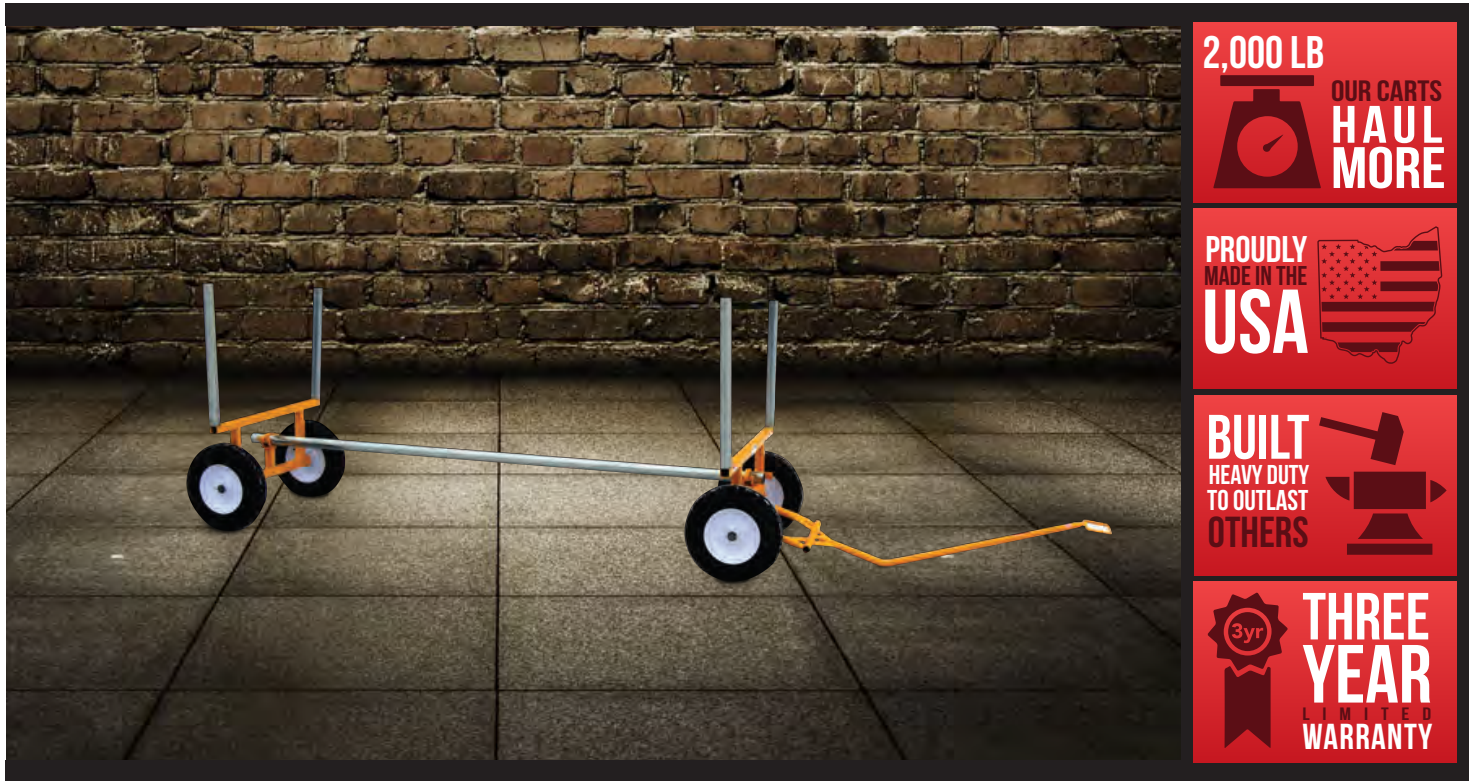


X-COUNTRY WAGON



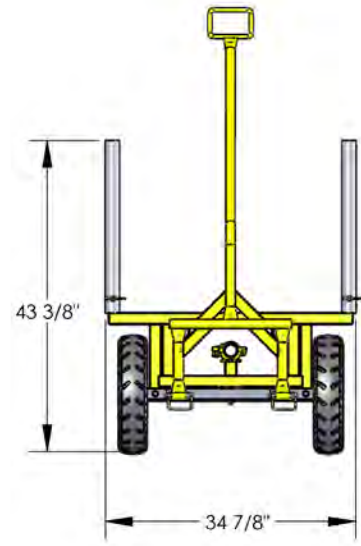
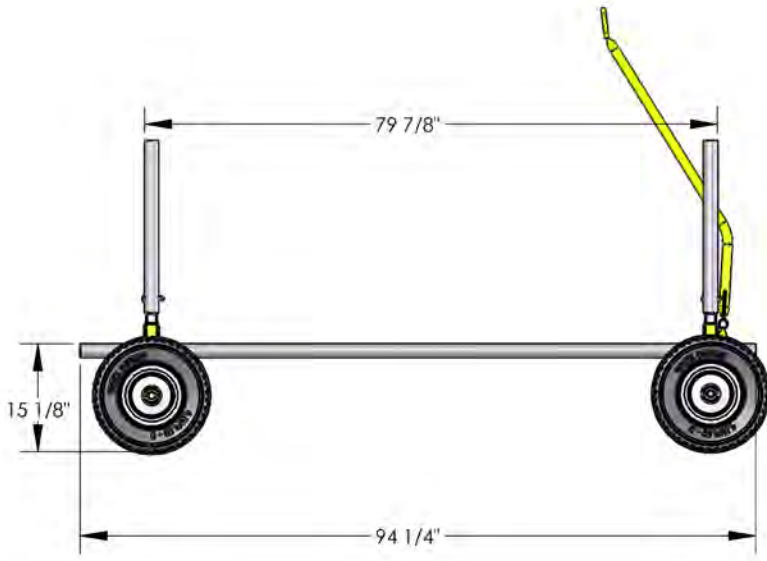
FEATURES

- Includes 8' pole (adj up to 7-1/2' long)
- Quickly disassembles for easy storage
- 16" flat free tire; 4" wide with steel hub
- 2,000 lb capacity

STANDARD AMERICAN CART FEATURES

- **Made in the USA**
Hand crafted at our Ohio plant.
- **Heavy-duty comes standard**
American Carts are all built to heavy duty specs
- **Powder coated finish**
Protects the steel and provides a lasting finish
- **Steel construction**
Built from American sourced steel
- **3/4" Axle**
Industry leading axle size for maximum strength.
- **Easy to operate**
Designed to get work done with less muscle strain and simple operation.
- **Ready to ship**
in stock and ready to ship
- **Three Year Limited Warranty**





| | | | |
|-------------------------|----------------------------------|------------------|---------------|
| Dimensions: | W: 34" | D: Adj. | H: 50" |
| Weight: | 117 lbs. | Capacity: | 2000 lbs. |
| Typically Ships: | Freight; some assembly required. | | |