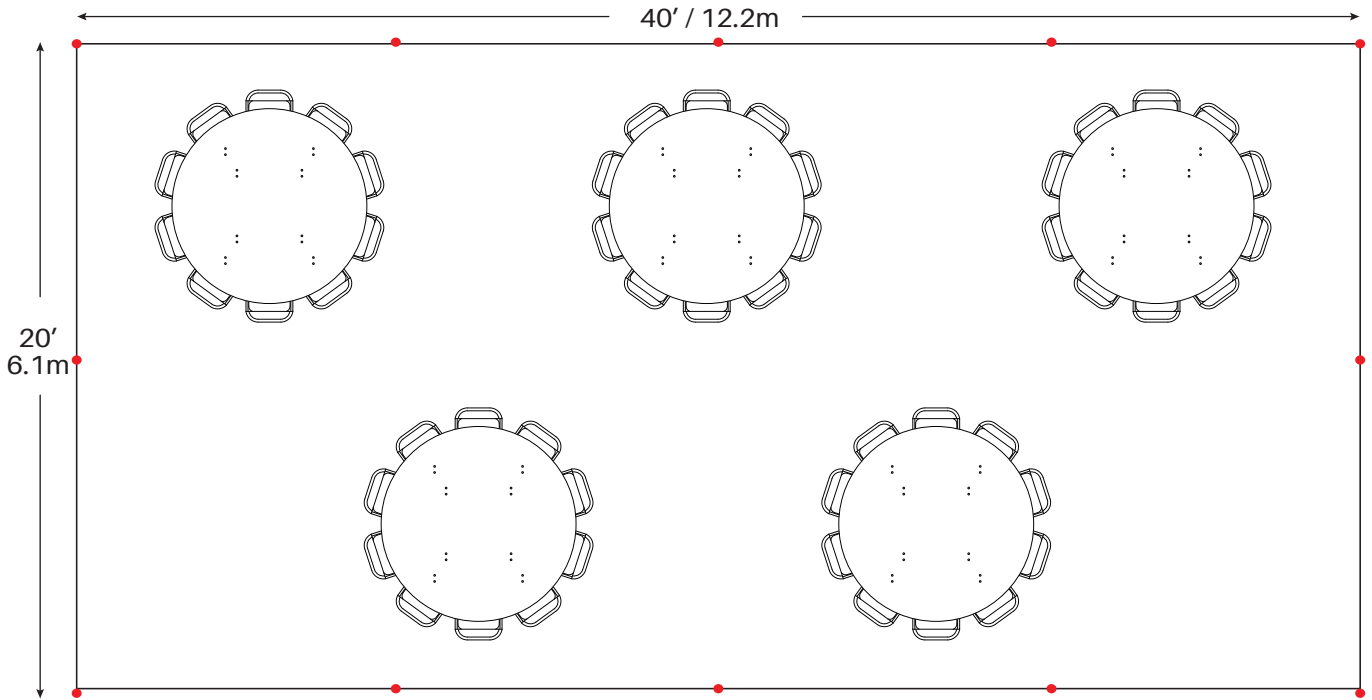
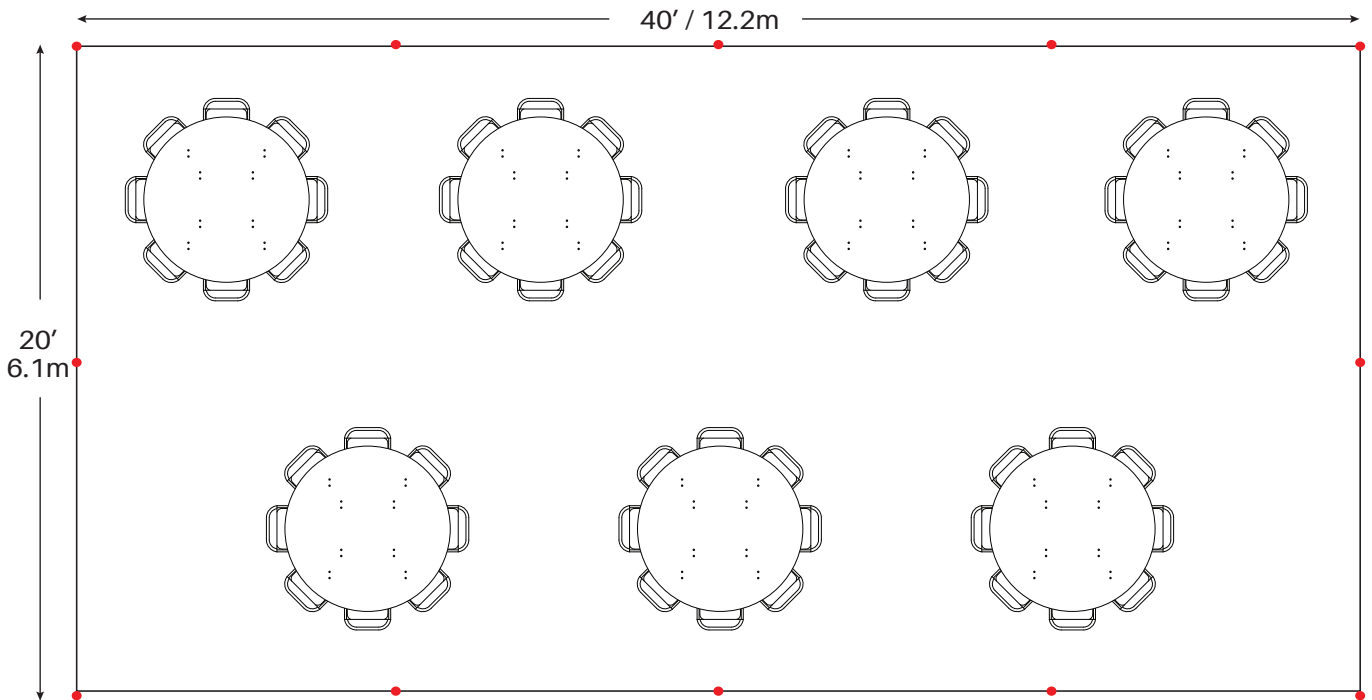


# Event & Party Layout

20' x 40' / 6.1m x 12.2m Frame Tent



5 - 72" Round Tables  
50 - Chairs



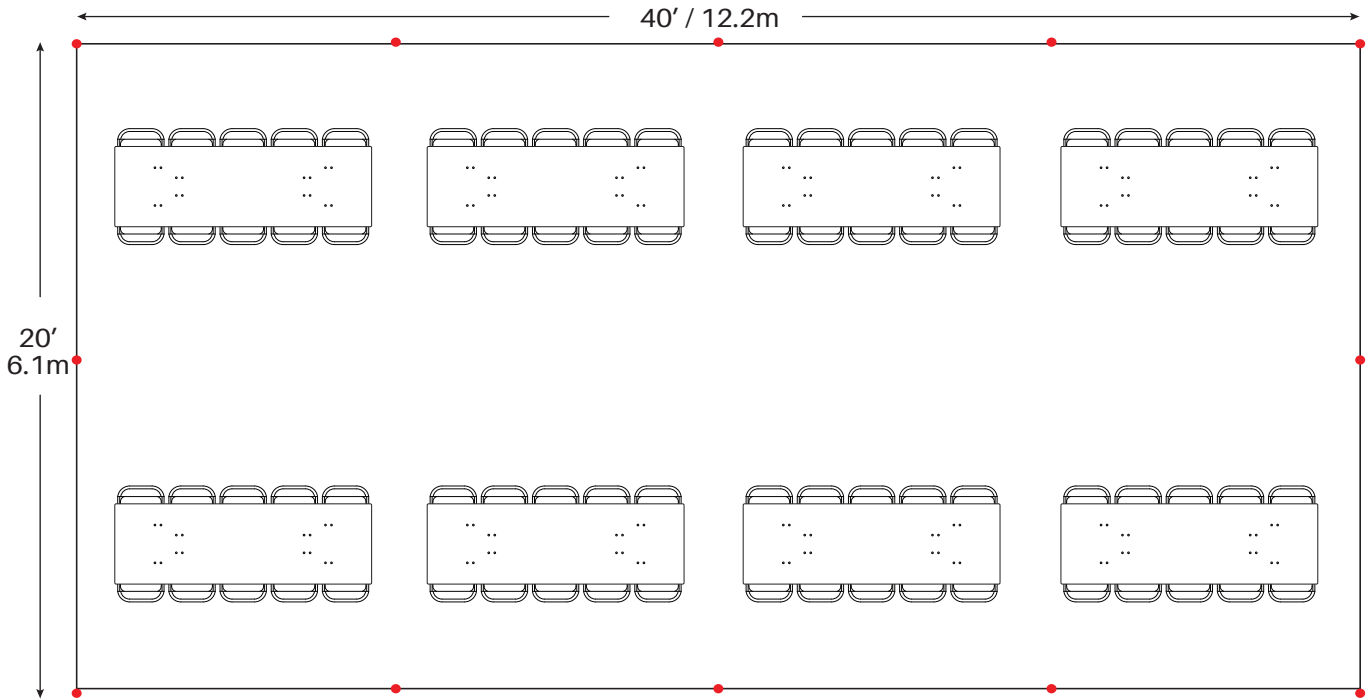
7 - 60" Round Tables  
56 - Chairs

● = Legs

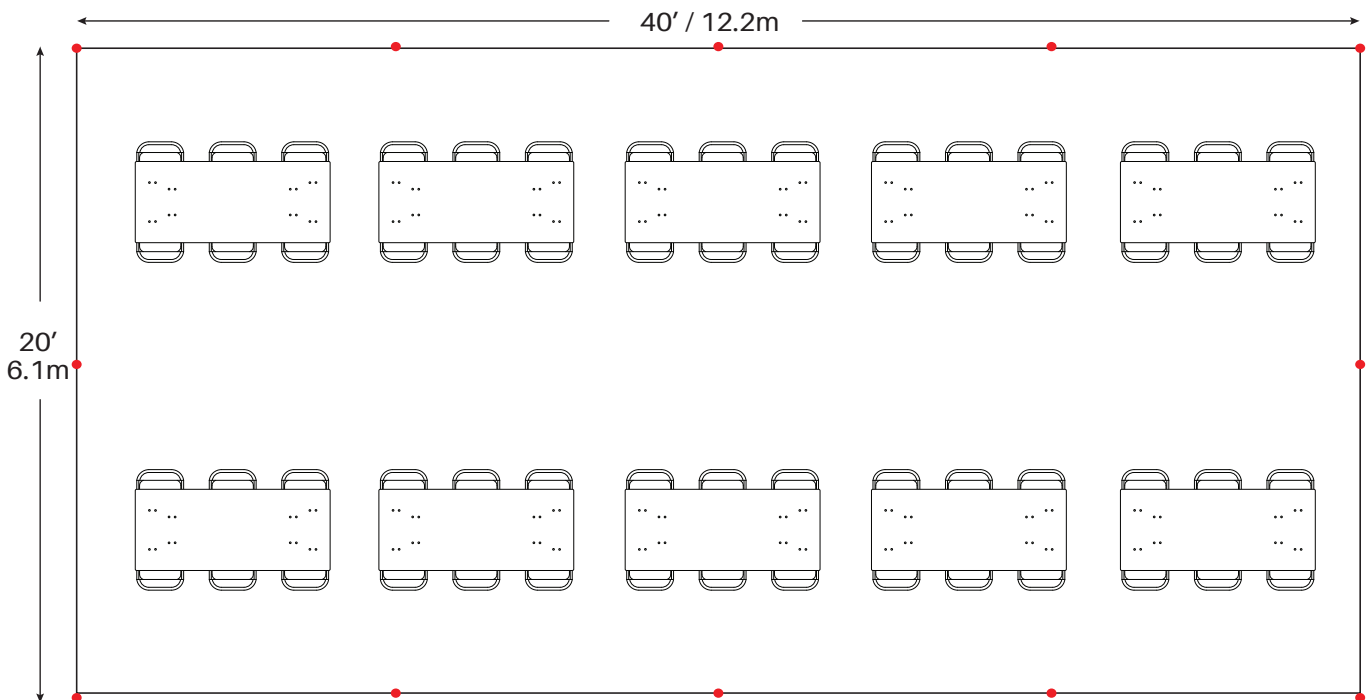
\*Minimum Seating Layouts\*

# Event & Party Layout

20' x 40' / 6.1m x 12.2m Frame Tent



8 - 8' Banquet Tables  
80 - Chairs



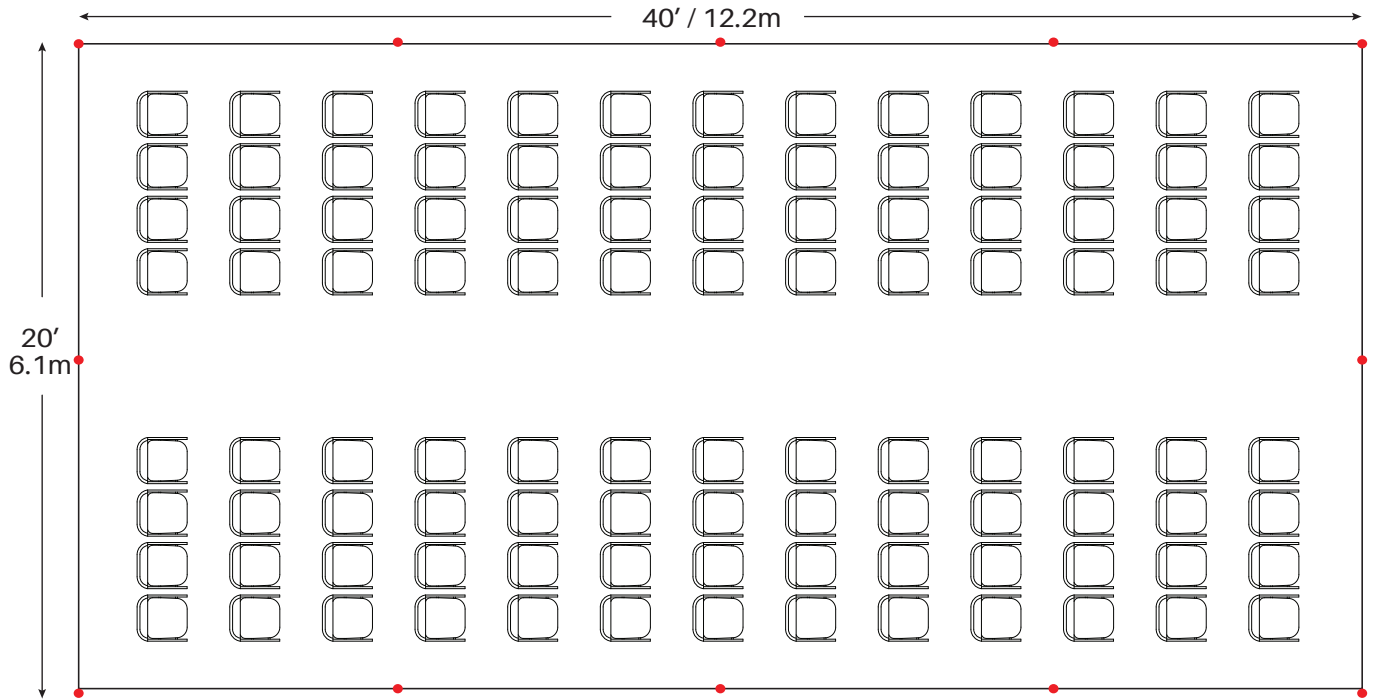
10 - 6' Banquet Tables  
60 - Chairs

● = Legs

\*Minimum Seating Layouts\*

# Event & Party Layout

20' x 40' / 6.1m x 12.2m Frame Tent



Cathedral Seating - 104 Chairs

● = Legs

\*Minimum Seating Layouts\*