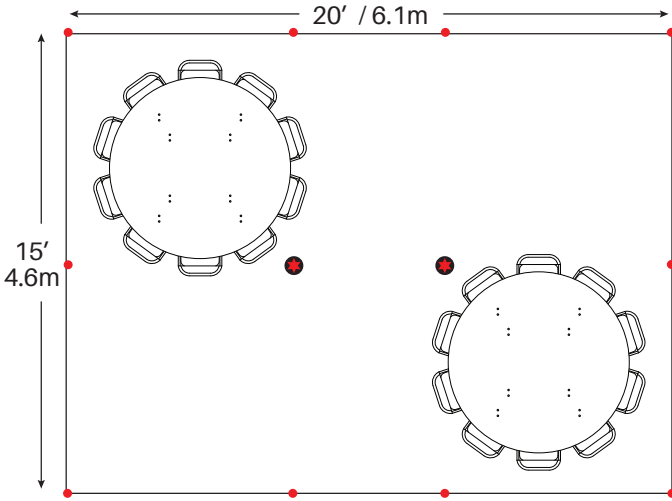
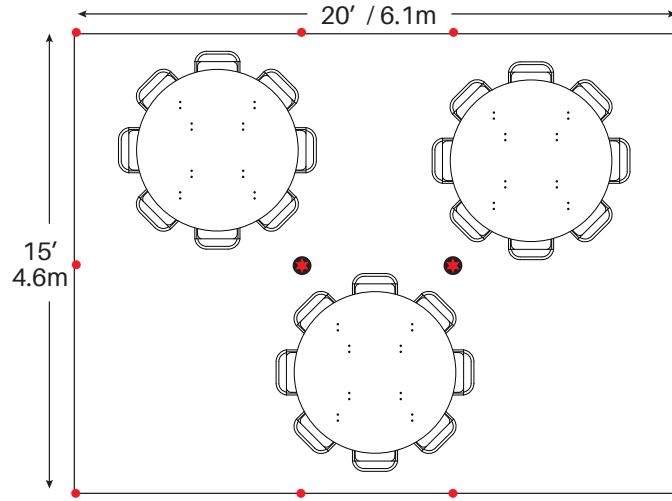


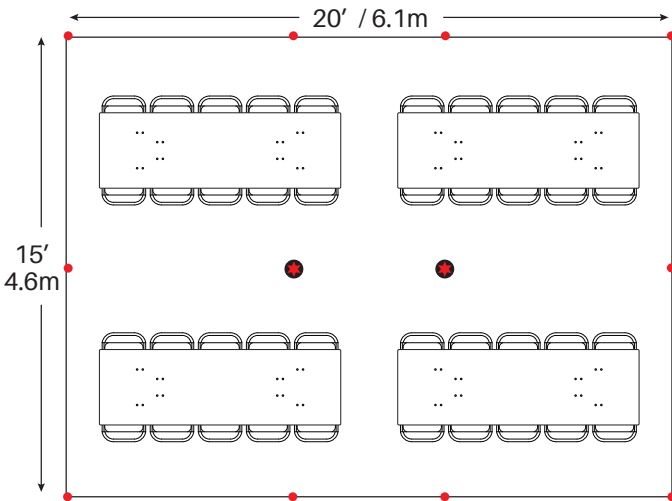
Event & Party Layout 15' x 20' / 3.7m x 6.1m Pole Tent



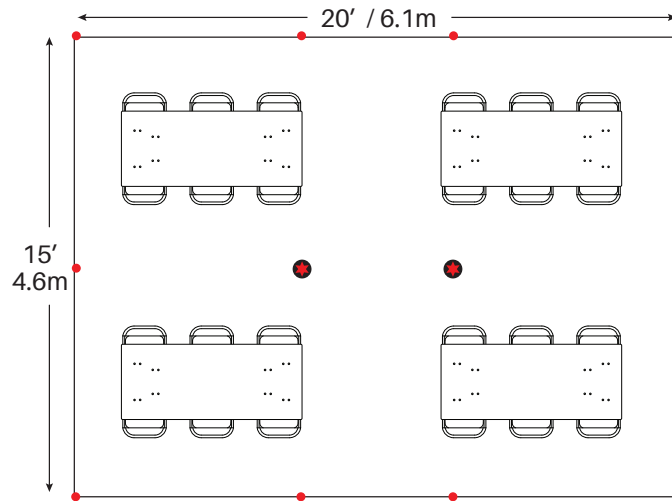
2 - 72" Round Tables
20 - Chairs



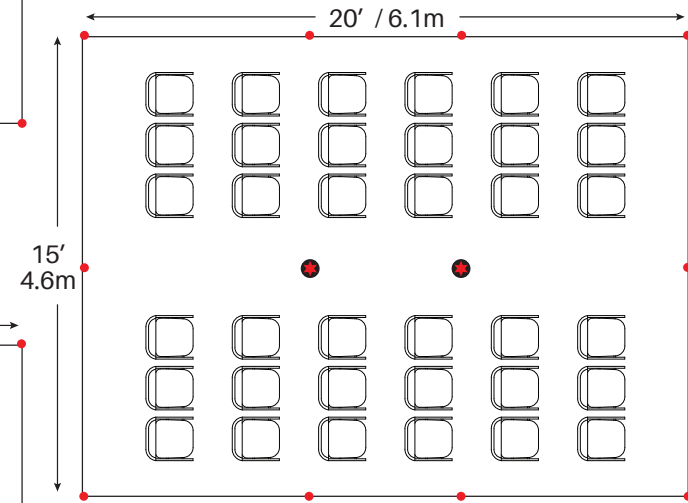
3 - 60" Round Tables
24 - Chairs



4 - 8' Banquet Tables
40 - Chairs



4 - 6' Banquet Tables
32 - Chairs



Cathedral Seating - 36 Chairs

★ = Center Pole ● = Legs

Minimum Seating Layouts