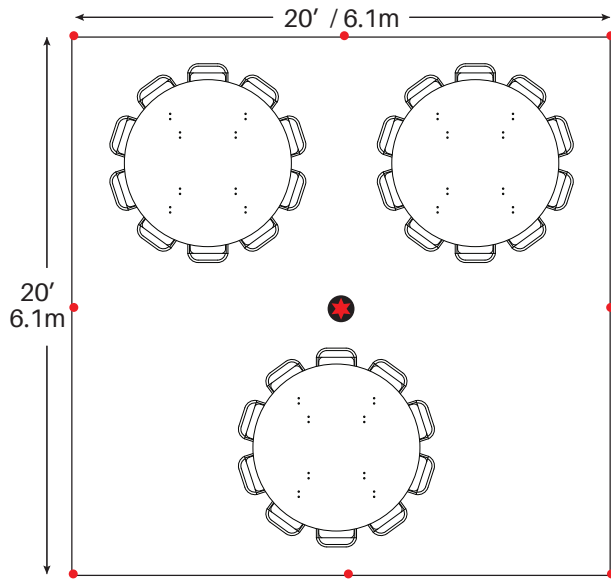
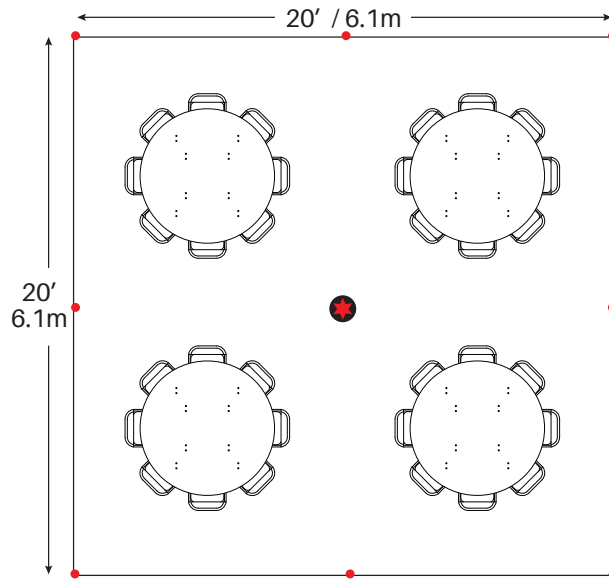


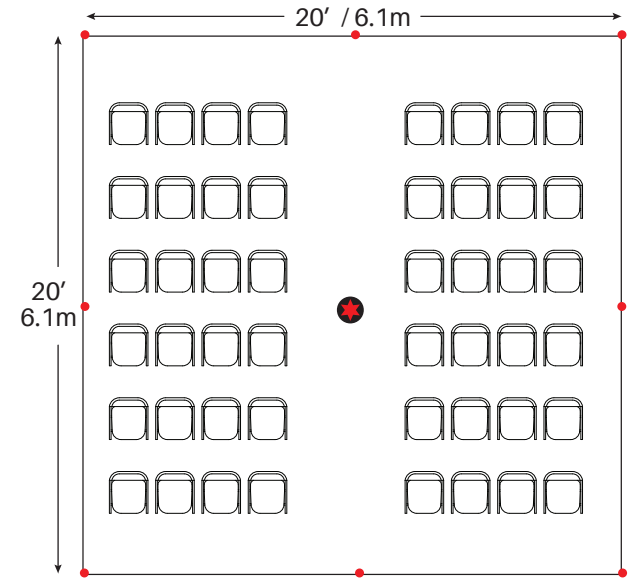
# Event & Party Layout 20' x 20' / 6.1m x 6.1m Pole Tent



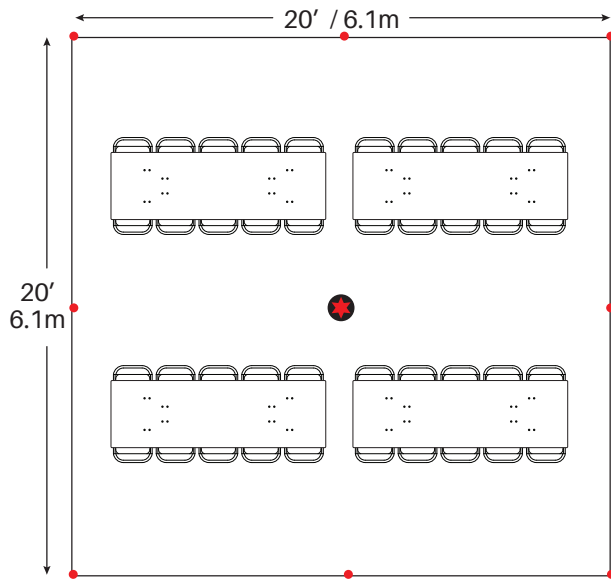
3 - 72" Round Tables  
30 - Chairs



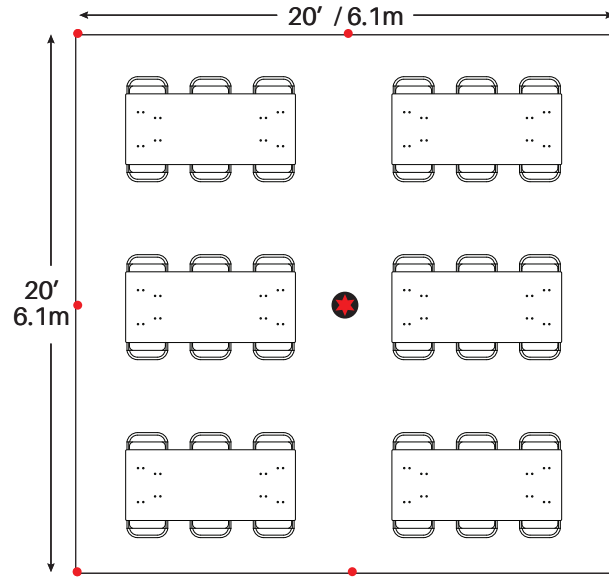
4 - 60" Round Tables  
32 - Chairs



Cathedral Seating - 48 Chairs



4 - 8' Banquet Tables  
40 - Chairs



6 - 6' Banquet Tables  
36 - Chairs

★ = Center Pole ● = Legs

\*Minimum Seating Layouts\*