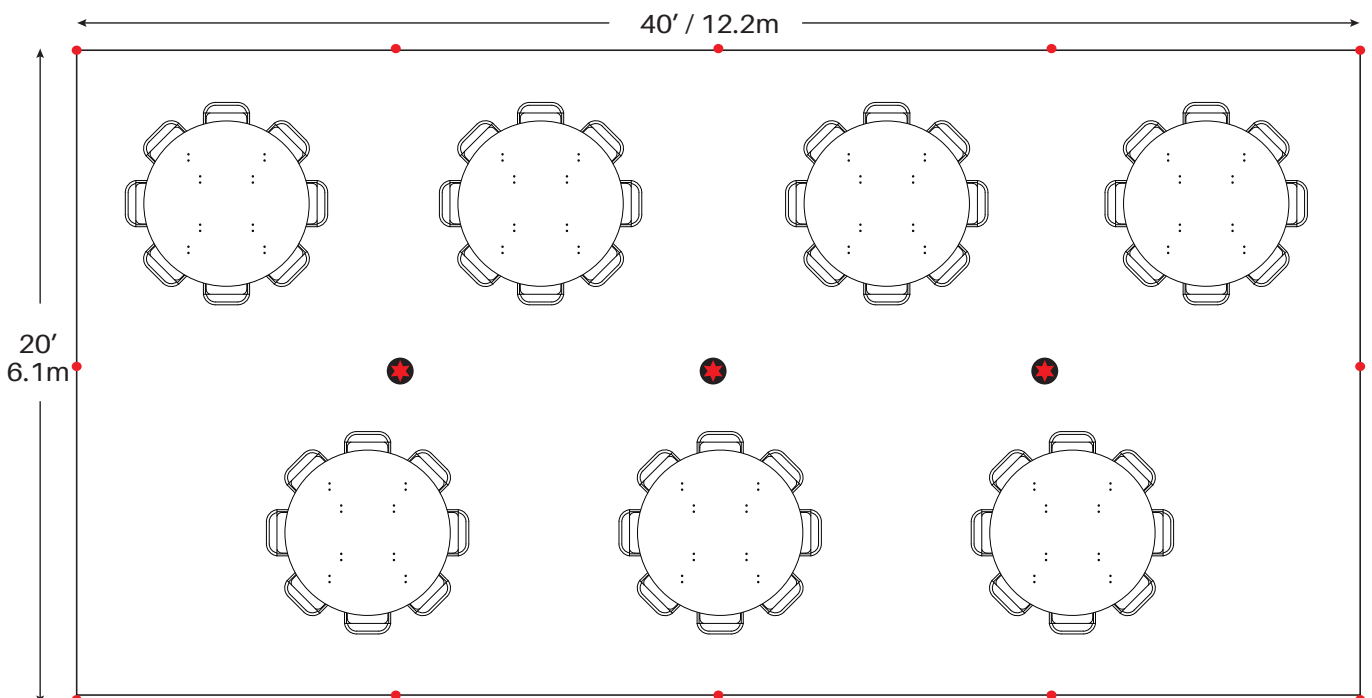
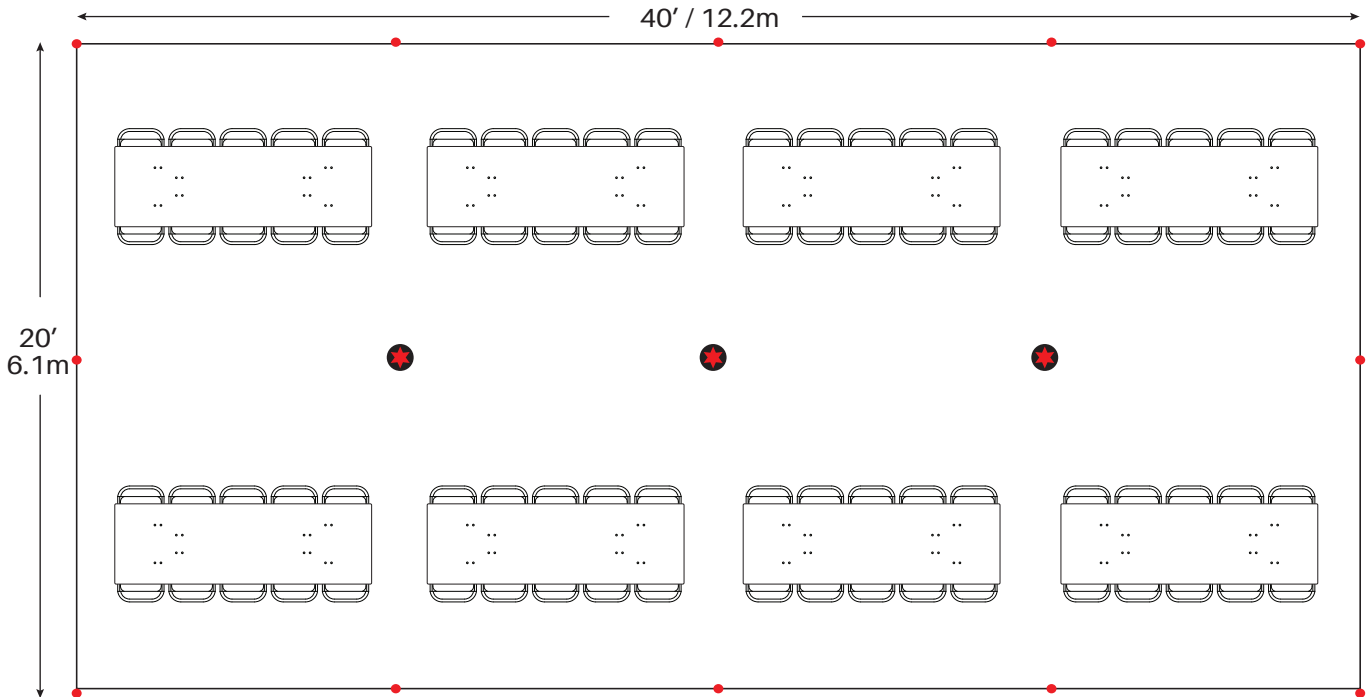


5 - 72" Round Tables
50 - Chairs

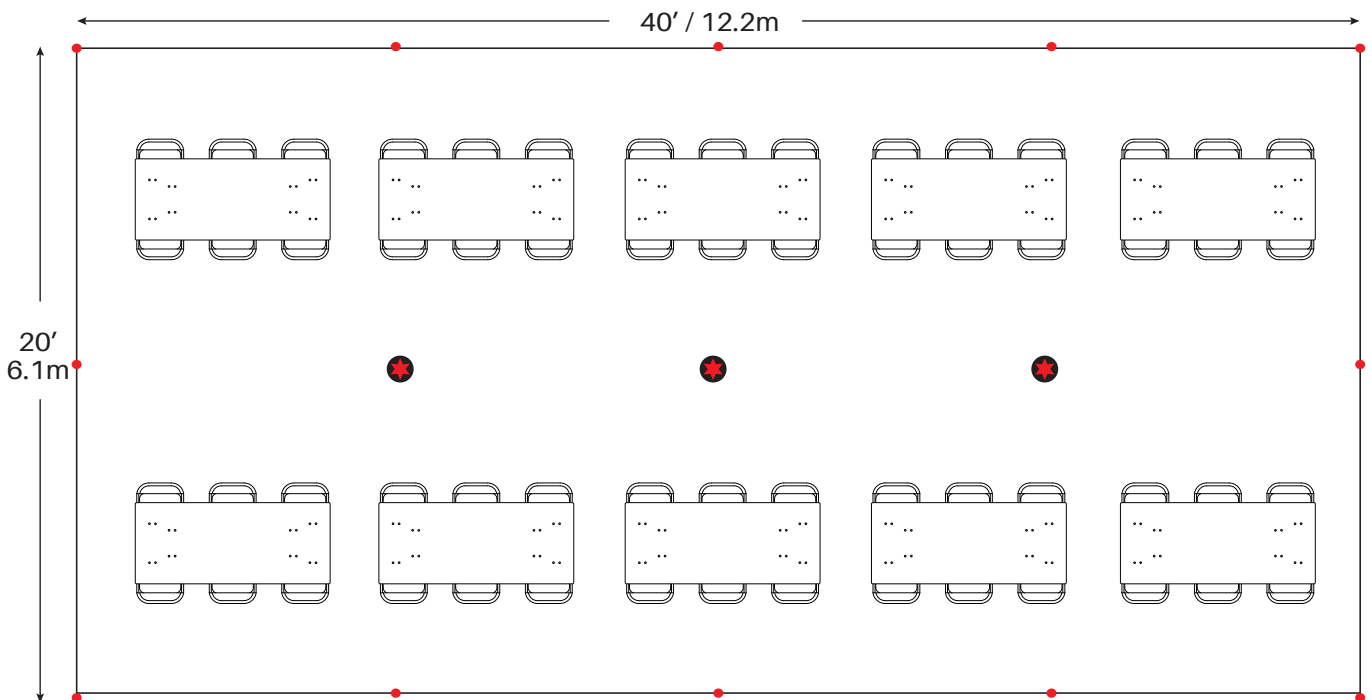


7 - 60" Round Tables
56 - Chairs

● = Legs



8 - 8' Banquet Tables
80 - Chairs



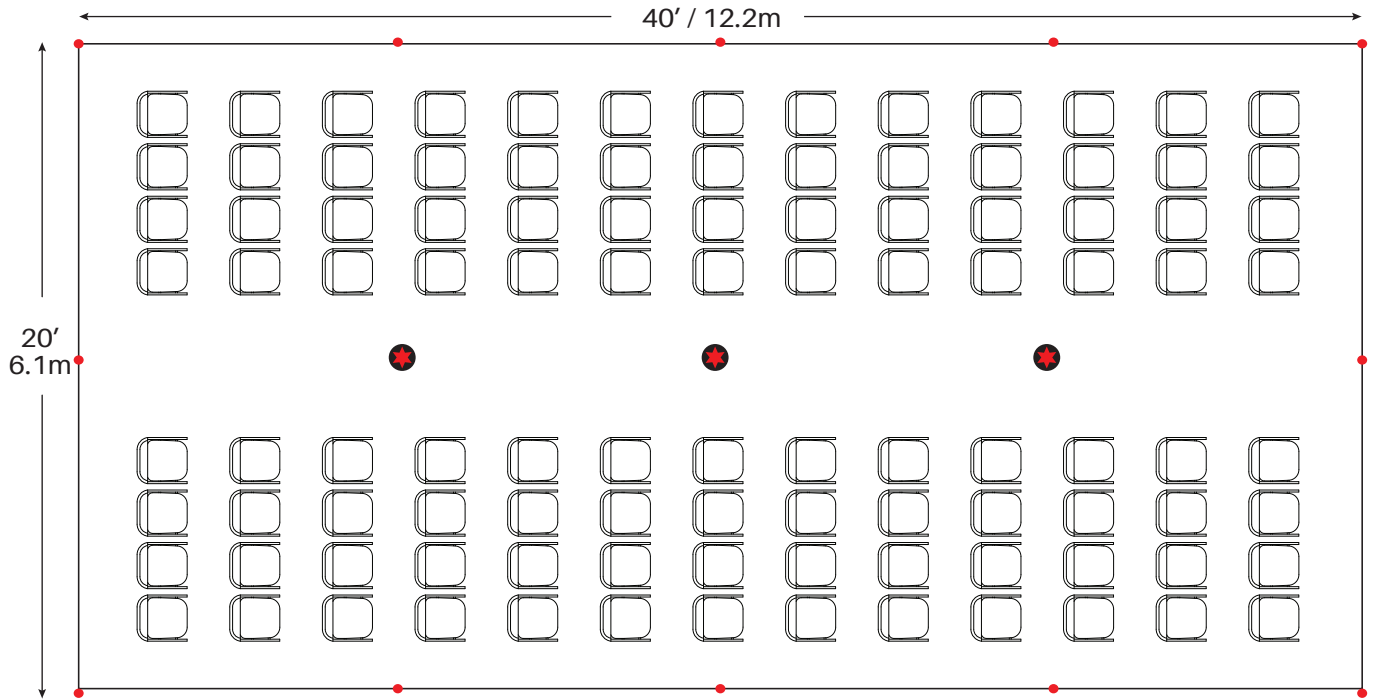
10 - 6' Banquet Tables
60 - Chairs

● = Legs

Minimum Seating Layouts

Event & Party Layout

20' x 40' / 6.1m x 12.2m Pole Tent



Cathedral Seating - 104 Chairs

● = Legs

Minimum Seating Layouts